

Application

Type double power automatic switching switch (hereinafter referred to as switch) is suitable for AC 50Hz or 60Hz, rated operating voltage 400V, rated operating current 63A, grade a following double loop power supply system. The selective conversion between two power supplies may be required. The product has the functions of short circuit, overload undervoltage and loss of voltage protection. It also has the functions of fire protection, double output and closing signal. The utility model is especially suitable for the installation and use of lighting circuits for office buildings, shopping malls, banks, stations, hospitals and high-rise buildings where fire protection requirements are required. Products meet GB/T14048.1 standards.



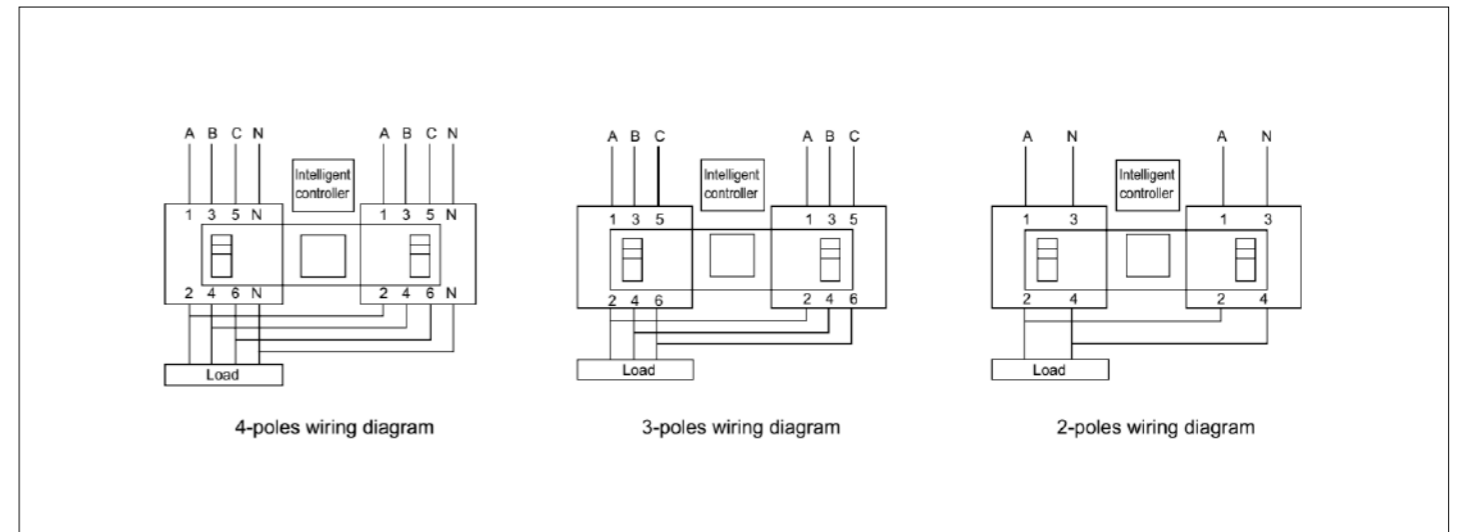
Specifications

Product Model	LW2R-63II	LW3R-63II	LW4R-63II
Rated Current Ie: A	63A		
Insulation Voltage Ui	AC690V 50/60Hz		
Rated Voltage Ue	AC230V	AC400V	AC400V
Grade	CB Class		
Pole	2P	3P	4P
Rated impulse withstand voltage	4KV		
Rated short circuit making capacity Icm	6KA		
Rated short circuit breaking capacity Icn	4.5KA		
Electrical Life	2000times		
Mechanical Life	5000times		
Controller	Type A(basic type)		
Control Circuit Us	AC230V 50/60Hz		
Operating transfer time (no time delay)	3s		

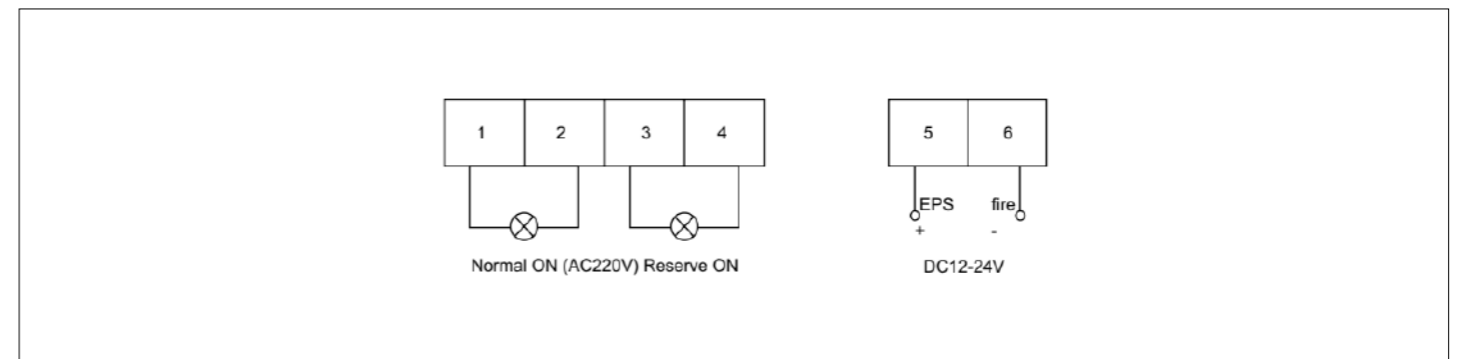
Features

1. The utility model has the advantages of reasonable structure, small size, beautiful appearance, and a protective cover, and the power supply is safer and more reliable.
2. protection function is complete, with short circuit, overload, lack of phase, undervoltage protection.
3. and EPS fire power interface, DC12~24V are reliable, long distance double points.
4. no noise operation, energy saving, convenient installation, simple operation, reliable and stable performance.

Main circuit wiring diagram



External power ON indication wiring diagram



Dimension

