

# PUNCHING SERIES



CRAFTED WITH PRECISION,  
THE QUALITY CAN BE LEARNED

**12 CHARGING TYPE HYDRAULIC PUNCHING TOOLS SERIES**

**EBS-12**



With continuous function

**EB-12**



Regular function

**DES-12** (Brushless drive)



With continuous function

**DE-12** (Brushless drive)



Regular function

**TECHNICAL DATA**

Punching force:	120KN
Stroke:	27mm
Punching times:	180 times (Per saturation voltage)
Charger voltage:	100-240VAC
Battery/Voltage:	18V/4.0Ah, Li-ion
Maximum round punch size:	61.5mm dia (in 3.5mm mild steel)
Charging time:	2 hours
Net weight:	4.9kg
Package:	Plastic box

**ACCESSORIES**

DESCRIPTION	HOLE SIZE (TYPE C)	
	Φ (INCH)	Φ mm
1/2" Conduit size punch&die	7/8"	0.885
3/4" Conduit size punch&die		1.115
1" Conduit size punch&die		1.362
1-1/4" Conduit size punch&die		1.701
1-1/2" Conduit size punch&die	1-15/16"	1.951
2" Conduit size punch&die	2-3/8"	2.146
7/16"x3/4" Draw stud		1pc
3/4"x3/4" Draw stud		1pc
Spacer:		1pc
Sealing kit:		1pc
Battery:		2pcs
Charger:		1pc



## MINI CHARGING HYDRAULIC PUNCHING TOOLS SERIES

### GES-EWK-8AL GE-EWK-8AL

#### FEATURES

- 180°x 360° rotary punching head suit to working in narrow space.
- One trigger to operate and retraction in automatic or manual.
- According to human body design with antislip handle, easy to hold.
- Microcomputer control system inside with double safety protection.
- LED light ensure to working in dark site.

#### TECHNICAL DATA

Max. output:	60KN
Stroke:	25mm
Punching times: (Per saturation voltage)	250times Max.mild steel 3mm, Φ49.6mm
Voltage/capacity:	18V/4.0Ah
Net weight:	4.0kg
Charger voltage:	100-240VAC
Charging time:	2 hours
Package:	Plastic box

#### ACCESSORIES

Battery:	2pcs
Charger:	1pc

3.5mm mild steel: Max. punching hole 61.5mm ( pipe conduct 2")  
2mm mild steel: Max punching hole 161.9mm ( pipe conduct 6")  
2mm stainless steel: Max punching hole 61.5mm ( pipe conduct 2")



## KNOCKOUT PUNCHES



#### ROUND PUNCHES

- Application: Punch mild steel, aluminium, fiberglass and plastic.

#### Standard round knockout punches (Type D)

CONDUIT&PIPE SIZE	HOLE SIZE(ACTUAL)		CAPACITY	
	Φ (INCH)	Φ mm	mm	GA
1/2"	7/8"	22.5	3.5	10
3/4"	-	28.3	3.5	10
1"	-	34.6	3.5	10
1-1/4"	1-11/16"	43.2	3.5	10
1-1/2"	1-15/16"	49.6	3.5	10
2"	2-3/8"	61.5	3.5	10
2-1/2"	2-7/8"	74	3.5	10
3"	3-1/2"	89.9	3.5	10
3-1/2"	4"	102.7	3.5	10
4"	4-1/2"	115.4	3.5	10
5"	5-5/8"	144.1	3.5	10
6"	6-3/8"	161.9		
Customized as order				



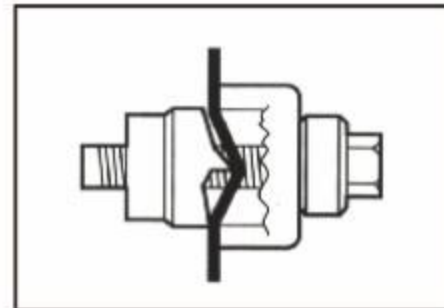
**Capacity:** Mild steel up through 3.5mm (10 gauge)

**Application:** Punch mild steel, aluminum, fiberglass and plastic.

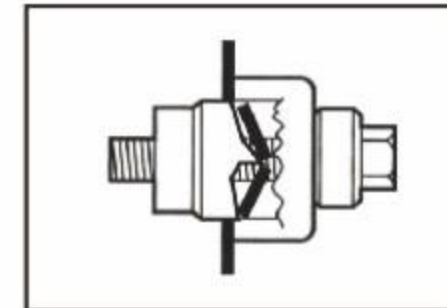
**Operation:** Battery, hydraulic, ratchet or manual drivers. When used with ratchet, hydraulic or battery drivers, buy the punch and die only; the draw stud is part of the driver kit.

**Round knockout punches (Type C)**

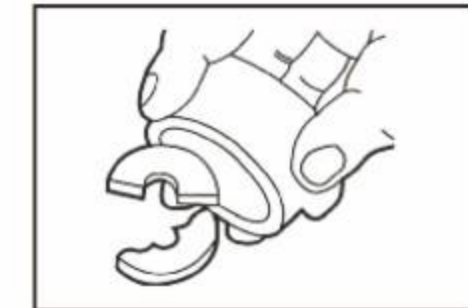
CONDUIT&PIPE SIZE	HOLE SIZE(ACTUAL)		CAPACITY		DRAW STUD WITH BEAING
	Φ (INCH)	Φ mm	mm	GA	
1/2"	7/8"	22.5	3.5	10	3/8", 24UN
3/4"	-	28.3	3.5	10	3/4", 16UN
1"	-	34.6	3.5	10	3/4", 16UN
1 1/4"	1-11/16"	43.2	3.5	10	3/4", 16UN
1 1/2"	1-15/16"	49.6	3.5	10	3/4", 16UN
2"	2-3/8"	61.5	3.5	10	3/4", 16UN



Punch design creases slug as the punch is drawn into the die



Slug is split in half as punching operation is completed



Split slugs fall free from the die and stud

**Round Manual Knockout Punch Kits (Type C)**

DESCRIPTION	CAPACITY ( MILD STEEL)	
	mm	GA
1/2"-1 1/4" Conduit Size	3.5	10
1 1/2", 2" Conduit Size	3.5	10
1/2", 2" Conduit Size	3.5	10

**Type C 1/2"- 1/4" Knockout Punch Kit Includes**

DESCRIPTION	HOLE SIZE(ACTUAL)	
	Φ (INCH)	Φ mm
1/2" Conduit Size Punch&Die	0.885	22.50
3/4" Conduit Size Punch&Die	1.115	28.30
1" Conduit Size Punch&Die	1.362	34.60
1 1/4" Conduit Size Punch&Die	1.701	43.20
3/8", 24UN Draw stud with beaing		
3/4", 16UN Draw stud with beaing		
Plastic box		

**Type C Manual Knockout Kits 1/2"-2" Includes**

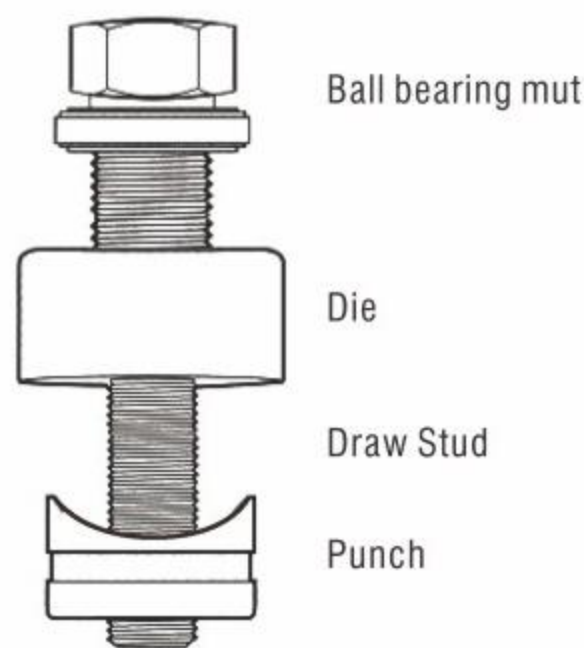
DESCRIPTION	HOLE SIZE(ACTUAL)	
	Φ (INCH)	Φ mm
1-1/2" Conduit Size Punch&Die	1.951	49.6
2" Conduit Size Punch&Die	2 3/8" 2.416	61.5
3/4", 16UN Draw stud with beaing		
Plastic box		

**Type C 1/2"-2" Knockout Punch Kit Includes**

DESCRIPTION	HOLE SIZE(ACTUAL)	
	Φ (INCH)	Φ mm
Ratchet wrench-1" Hex		
1/2" Conduit Size Punch&Die	7/8" 0.885	22.5
3/4" Conduit Size Punch&Die	1.115	28.3
1" Conduit Size Punch&Die	1.362	34.6
1 1/2" Conduit Size Punch&Die	1.701	43.2
1 1/4" Conduit Size Punch&Die	1.951	49.6
2" Conduit Size Punch&Die	2 3/8" 2.416	61.5
3/8", 24UN Draw stud with beaing		
3/4", 16UN Draw stud with beaing		
Plastic box		



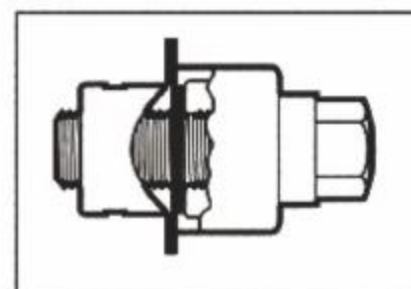
# KNOCKOUT PUNCHES



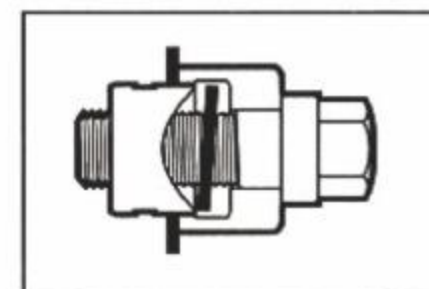
## Standard round knockout punches (Type B)

- Capacity: Mild steel up through 3.5mm (10gauge)
- Application: Punch mild steel, aluminium, fiberglass and plastic.
- Operation: Battery, hydraulic, ratchet or manual drivers. When used with ratchet,hydraulic or battery drivers, buy the punch and die only; the draw stud is part of the driver kit.

CONDUIT&PIPE SIZE	HOLE SIZE(ACTUAL)		CAPACITY		DRAW STUD WITH BEAING	
	Φ(INCH)	Φ mm	mm	GA		
1/2"	7/8"	0.885	22.5	3.5	10	3/8", 24UN
3/4"	-	1.115	28.3	3.5	10	3/4", 16UN
1"	-	1.362	34.6	3.5	10	3/4", 16UN
1 1/4"	-	1.701	43.2	3.5	10	3/4", 16UN
1 1/2"	1-15/16"	1.951	49.6	3.5	10	3/4", 16UN
2"	2-3/8"	2.416	61.5	3.5	10	3/4", 16UN
2 1/2"	2-7/8"	2.914	74.0	3.5	10	3/4", 16UN
3"	3-1/2"	3.539	89.9	3.5	10	3/4", 16UN
3 1/2"	4"	4.044	102.7	3.5	10	3/4", 16UN
4"	4-1/2"	4.544	115.4	3.5	10	3/4", 16UN
5"	5-5/8"	5.675	144.1	3.5	10	3/4", 16UN
6"	6-3/8"	6.375	161.9	3.5	10	3/4", 16UN



Every cut quick and clean



Slug falls free in die



Just tip it out

## Standard round knockout punches (Type D)

DESCRIPTION	CAPACITY ( MILD STEEL)	
	mm	GA
1/2"-1 1/4" Conduit Size	3.5	10
1 1/2"-2" Conduit Size	3.5	10



### Type B 1/2"-1 1/4" Knockout Punch Kit Includes

DESCRIPTION	HOLE SIZE(ACTUAL)	
	Φ(INCH)	Φ mm
1/2"Conduit Size Punch&Die	7/8"	22.50
3/4"Conduit Size Punch&Die	1.115	28.30
1"Conduit Size Punch&Die	1.362	34.60
1 1/4"Conduit Size Punch&Die	1.701	43.20
3/8",24UN Draw stud with beaing		
3/4",16UN Draw stud with beaing		
Plastic box		



### Type B 1 1/2"-2" Knockout Punch Kit Includes

DESCRIPTION	HOLE SIZE(ACTUAL)	
	Φ(INCH)	Φ mm
1 1/2"Conduit Size Punch&Die	1-15/16"	49.6
2" Conduit Size Punch&Die	2-3/8"	61.5
Plastic box		

**Standard knockout punches (Type F)**

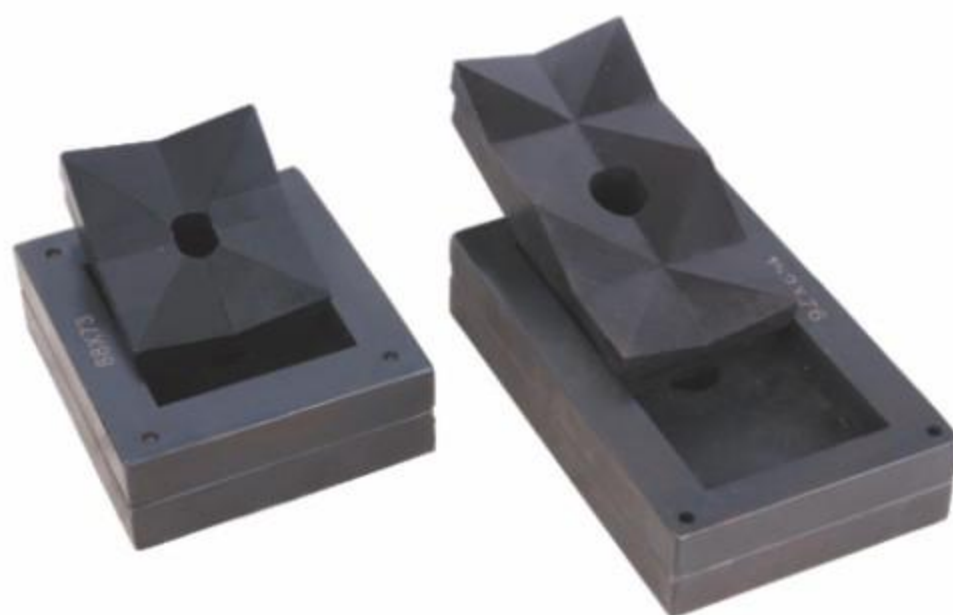


**SQUARE PUNCHES**

Capacity: Mild steel up through 3.5mm (10gauge)  
Application: Punch mild steel, aluminium, fiberglass and plastic.  
Operation: Battery, hydraulic or manual drivers.

HOLE SIZE(ACTUAL)		MAX CAPACITY MILD STEEL		OPERATION TYPE	
		Φ mm	mm		
5/8"	0.625x0.625	15-9x15-9	2.0	14	Hand/Hydr.
3/4"	0.750x0.750	19-1x19-1	2.0	14	Hand/Hydr.
7/8"	0.882x0.882	22-4x22-4	2.0	14	Hand/Hydr.
1"	1.000x1.000	25-4x25-4	2.0	14	Hand/Hydr.
	1.772x1.772	45-0x45-0	3.5	10	Hand/Hydr.
1-13/16"	1.811x1.811	46-0x46-0	3.5	10	Hydr.Only
2"	2.000x2.000	50-8x50-8	3.5	10	Hydr.Only
2-11/16"	2.677x2.677	68-0x68-0	3.5	10	Hydr.Only
3-5/8"	3.622x3.622	92-0x92-0	3.5	10	Hydr.Only
4-1/8"	4.125x4.125	104-8x104-8	3.5	10	Hydr.Only
	5.433x5.433	138-0x138-0	2.0	14	Hydr.Only

**Rectangular knockout punches (Type G)**



**RECTANGULAR PUNCHES**

Capacity: Mild steel up through 3.5mm (10gauge)  
Application: Punch mild steel, aluminium, fiberglass and plastic.  
Operation: Battery, hydraulic, ratchet or manual drivers.

HOLE SIZE(ACTUAL)		MAX CAPACITY MILD STEEL		OPERATION TYPE
		Φ mm	mm	
0.861x1.018	21.9x25.9	2.0	14	Hand/Hydr.
0.886x1.181	22.0x30.0	2.0	14	Hand/Hydr.
0.866x1.654	22.0x42.0	2.0	14	Hand/Hydr.
0.990x1.140	25.1x29.0	2.0	14	Hand/Hydr.
1.250x1.380	31.8x35.1	2.0	14	Hand/Hydr.
1.312x2.625	33.3x67.9	3.5	10	Hydr.Only
1.378x2.047	35.0x52.0	3.5	10	Hydr.Only
1.378x2.559	35.0x65.0	3.5	10	Hydr.Only
1.378x3.228	35.0x82.0	2.0	14	Hydr.Only
1.378x4.409	35.0x112.0	2.0	14	Hydr.Only
1.811x3.622	46.0x92.0	3.5	10	Hydr.Only
2.250x3.500	57.2x88.9	3.5	10	Hydr.Only
2.677x5.433	68.0x138.0	2.0	14	Hydr.Only

**MANUAL HYDRAULIC PUNCHING TOOLS**

**TP-8C**

**TECHNICAL DATA**

Punching range:	Φ22.5-Φ61.5mm	in the 3.5mm mild steel
Punching force:	66KN	
Stroke:	22mm	
Length:	320mm	
Weight:	2.7kg	
Package:	plastic box	
Weight of box:	1.2kg	
<b>ACCESSORIES:</b>		
Round Knockout Punches Type D: 22.5, 28.3, 34.6, 43.2, 49.6, 61.5mm		
7/16"x3/4" Draw Stud:		1pc
3/4"x3/4" Draw Stud:		1pc
Spacer:		1pc



# MANUAL HYDRAULIC PUNCHING TOOLS

## TPA-8

### TECHNICAL DATA

Punching range:	Φ22.5-Φ61.5mm in the 3.5mm mild steel
Punching force:	69KN
Stroke:	22mm
Length:	310mm
Weight:	2.2kg
Package:	plastic box
Weight of box:	1.2kg

### ACCESSORIES:

Round Knockout Punches Type D: 22.5, 28.3, 34.6, 43.2, 49.6, 61.5mm

7/16"x3/4" Draw Stud: 1pc

3/4"x3/4" Draw Stud: 1pc

Spacer: 1pc

- Lightweight design for portability and fast, easy one-person operation.
- Develops 66KN of hydraulic force for easy punching, even in 3.5mm mild steel, depending on individual punch capacities.
- Allow unlimited driver orientation to simplify access to work area.



## SYK-8B

### TECHNICAL DATA

Punching range:	Φ21.5-Φ61.5mm in the 3.5mm mild steel
Punching force:	100KN
Stroke:	25mm
Weight:	5.6kg
Package:	steel case
Weight of box:	3.0kg

### ACCESSORIES:

Round Knockout Punches Type D: 22.5, 28.3, 34.6, 43.2, 49.6, 61.5mm

7/16"x3/4" Draw Stud: 1pc

3/4"x3/4" Draw Stud: 1pc

Spacer: 1pc

- The finished distributor, on-off case and plate can change the specification at any time. It can change the size of the tools simply, and will not destroy the surface at all after drilling hole.
- We can make the tools according to customer's requirement, quick delivery.
- When order rectangle and square tools, please measure the correct dimension.



## SYK-15

### TECHNICAL DATA

Punching range:	Φ21.5-Φ61.5mm in the 3.5mm mild steel
Punching force:	150KN
Stroke:	25mm
Weight:	7.1kg
Package:	steel case
Weight of box:	4.4kg

### ACCESSORIES:

Round Knockout Punches Type D: 22.5, 28.3, 34.6, 43.2, 49.6, 61.5mm

Square knockout punches: 32x32mm

7/16"x3/4" Draw Stud: 1pc

3/4"x3/4" Draw Stud: 1pc

Spacer: 1pc

