

BE-WS-13 Hydraulic disc saw

TECHNICAL DATA	
Working pressure:	105-139bar
Maximum pressure:	160bar
Hydraulic oil flow:	23-34lpm
Cutting depth:	130mm
Saw blade size:	355mm
Maximum speed:	4500rpm
Connection mode:	3/8in Flat head quick connector
weight:	10kg
Overall dimensions:	530x255x400mm
Enclosure:	Saw blade
Features:	The equipment is light, easy to operate, powerful and durable, and can work efficiently and comfortably for a long time



BE-WPS-15 Hydraulic diamond chain saw

TECHNICAL DATA	
Working pressure:	105-172bar
Hydraulic oil flow:	26-34lpm
Cutting depth:	380mm
Chain plate size:	380mm
weight:	11.8kg
Overall dimensions:	940x240x265mm
Enclosure:	Guide plate and chain
Features:	Light weight, good balance, wide range of applicable flow, direct drive by hydraulic motor, anti-lock function of saw blade



BE-WPP-80 Hydraulic slurry pump

TECHNICAL DATA	
Working pressure:	105-139bar
Maximum pressure:	172bar
Hydraulic oil flow:	30-40lpm
Discharge/outfall:	200/100mm
Maximum lift:	16m
Connection mode:	3/8in Flat head quick connector
Weight:	30kg
Overall dimensions:	470x340x480mm
Features:	The pump adopts steel pump body, cast iron impeller and special eddy current design



BE-SL-700D Korean manual breaking tool set



TECHNICAL DATA	LENGTH	WEIGHT
PRT tool sliding lever handle:	680mm	4.4kg
Breaking axe and nail pulling crowbar:	470mm	3.1kg
Lock breaking nail hammer:	310mm	1.7kg
Metal cutting tools:	310mm	1.4kg
1 inch wide chisel:	455mm	1.4kg
3 inch wide chisel:	465mm	1.6kg
Pointed chisel:	475mm	1.4kg
Carrying case:	940x400x150mm	8.0kg
Outsourcing size:	1030x475x210mm	
Net weight/Gross weight:		18.2/29.8kg

BE-PRT-8 American manual breaking tool set

TECHNICAL DATA	LENGTH	WEIGHT
PRT BAR:	750mm	5.9kg
Pry an axe:	467mm	3.6kg
Lock breaking nail hammer:	267mm	1.3kg
Metal cutting tools:	320mm	2.3kg
1 inch wide chisel:	406mm	1.8kg
3 inch wide chisel:	462mm <td 1.8kg	
Pointed chisel:	406mm	1.8kg
Nail puller:	406mm	1.8kg
Outsourcing size:	960x420x150mm	
Total weight:		26kg



GYJK-33~36/25(10) Manual scissors (type A)

TECHNICAL DATA

Rated pressure:	63±5MPa
Tractive force:	300KN
Towing distance:	228mm
Maximum shear force:	270KN
Cutting range:	Φ25mm Round steel 10mm Steel plate
Expansion tension:	33-36KN
Spreading distance:	275mm
Weight:	9.43kg
Overall dimensions:	780x230x190mm
Enclosure:	
Features:	It can be used in shallow water for a short time, the cutter head can rotate 360°, and the expansion distance ≥ 275mm



BE-GYJKB-63 Manual scissors (type B)

TECHNICAL DATA

Rated pressure:	63MPa
Tractive force:	270KN
Towing distance:	228mm
Maximum shear force:	270KN
Cutting range:	Φ25mm Round steel 12mm Steel plate
Maximum expansion tension:	335KN
Spreading distance:	≥1704mm
weight:	≤9.53kg
Overall dimensions:	1225x300x210mm
Enclosure:	Hydraulic oil and oil pipe
Features:	Shear expansion dual function, more flexible, can be used for fire rescue, car demolition, waste demolition



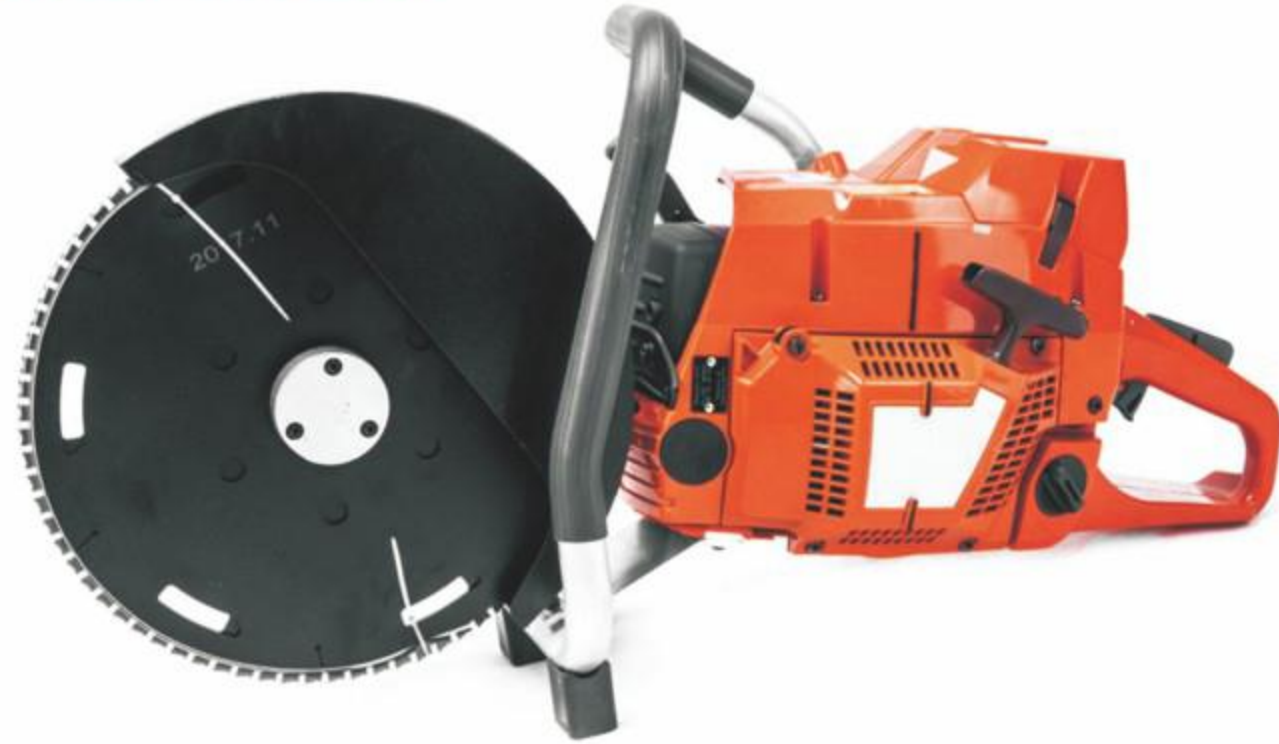
BE-KJI-20CB Manual scissors (type C)

TECHNICAL DATA

Maximum cutting force:	18T
Middle cutting force:	7T
Spreading force:	5.5T
Expand Width:	160mm
Starting pressure:	63MPa
Maximum shear diameter:	20mm(Q235)
weight:	11.9kg
Overall dimensions:	740x230x175mm
Enclosure:	Hydraulic oil and oil pipe
Features:	Shear expansion dual function, more flexible, can be used for fire rescue, car demolition, waste demolition



CDE2530XP Two-wheel reverse cutting saw



TECHNICAL DATA

power:	3.9KW
Piston stroke:	36mm
Cylinder displacement:	70.7CC
Standard idle speed:	2600rpm
Saw blade:	315mm
Maximum speed:	13500rpm
Net weight/Gross weight:	≤11/30kg
Enclosure:	Saw blade
Cutting depth:	≥115mm

K770 Hoswarner toothless saw



TECHNICAL DATA

Power:	3.7KW
Cylinder displacement:	74CC
Saw blade:	300mm
Maximum cutting depth:	100mm
Handle (before vibration):	3.2m/s
Handle (after shaking):	4.6m/s
Noise level:	97dB(A)
Net weight/Gross weight:	10.2/12.1kg
Machine dimensions:	630x200x400mm
Outsourcing size:	700x255x420mm
Features:	It can cut a variety of materials. For details, please call

K970 Hoswarner toothless saw



TECHNICAL DATA

Power:	4.8KW
Cylinder displacement:	94CC
Saw blade:	350mm
Maximum cutting depth:	260mm
Handle (before vibration):	3.5m/s
Handle (after shaking):	3.7m/s
Noise level:	104dB(A)
Net weight/Gross weight:	11.9/14.1kg
Machine dimensions:	760x230x460mm
Outsourcing size:	780x250x480mm
Features:	It can cut a variety of materials. For details, please call

K1270 Hoswarner toothless saw



TECHNICAL DATA

Power:	5.8KW
Cylinder displacement:	119CC
Blade size:	350/400mm
Cutting depth:	125/145mm
Net weight/Gross weight:	13.4/15.8kg
Machine dimensions:	750x245x250mm
Outsourcing size:	800x270x460mm
Features:	It can cut a variety of materials. For details, please call

K450 Huswarner power chain saw

TECHNICAL DATA	
Power:	2.4KW
Cylinder displacement:	50.2CC
Speed:	2700rpm
Cylinder diameter:	44mm
Piston stroke:	33mm
Chain lubricating oil pump flow:	9-9ml/min
Fuel tank volume:	0.45L
Chain pitch:	0.325"
Recommended guide plate length:	33-50cm
Chain speed at maximum power:	17.34m/s
Enclosure:	Guide plate and chain
Features:	It can cut a variety of materials. For details, please call



K970Ring Huswarner ring saw

TECHNICAL DATA	
Power:	4.8KW
Cylinder displacement:	94CC
Blade diameter:	350mm
Maximum cutting depth:	260mm
Handle (before vibration):	3.9m/s
Handle (after shaking):	8.3m/s
Noise level:	104dB(A)
weight:	13.5kg
Enclosure:	Guide plate and chain
Features:	It can cut a variety of materials. For details, please call



K970Chain Hoswarner concrete chain saw

TECHNICAL DATA	
Power:	4.8KW
Cylinder displacement:	94CC
Chain plate length	18inch
Maximum cutting depth:	390mm
Guide plate (chain):	350mm
Idling speed:	2700rpm
Noise level:	103dB
weight:	9.4kg
Enclosure:	Hoswarner concrete chain saw
Features:	It can cut a variety of materials. For details, please call



BE-CSG-J01 Glass breaker

TECHNICAL DATA		Electric cutter
Battery capacity:		1500mAh
Motor power:		35W
Voltage:		220/240V
Cutting speed:		150cm/min 4mm Automobile glass
Net weight/Gross weight:		1.2/8.5kg
Size:		570x460x230mm
TECHNICAL DATA		Glass chisel
Chiseling thickness:		0-12mm
Length:		240mm
Weight:		0.7g
Chiseling force:		800N
TECHNICAL DATA		Glass suction cup
Adsorption diameter:		120mm
Adsorbability:		50kg
Weight:		550g
TECHNICAL DATA		Elastic window breaker
Diameter:		22mm
Length:		109mm
Weight:		67g



BE-JLHH-6000 Portable lock breaker



Includes:

01	Sealed instrument box x1 set	13	Drill rotary cone x1 box
02	Rechargeable electric drill (with battery) x1 set	14	Oval positioning sleeve x1
03	Lock body breaker x1 set	15	Lock core pull plate x1 set
04	1 # screw x1 package 2 # screw x1 package	16	Base plate x1
05	Miniature hand x1	17	Screw holder x1 pcs
06	Metal keys x1	18	Lock cylinder extractor x1 set
07	Pointed-nose pliers x1	19	Lubricating oil x1 bottle
08	Hammer x1	20	It can be equipped with x1 rechargeable batteries
09	Screwdriver 1 x 1 Screwdriver 2 x 1	21	Circular positioning sleeve x1
10	Two-way ratchet wrench x1	22	Charger x1
11	Opener x1	23	Double-sided adhesive x1 roll
12	Tweezers x1		

BE-EHK-5D Backpack electric demolition



Electric pump



Micro dilator



Micro shear



Crowbar



Opener

TECHNICAL DATA	electrical hydraulic pump
Rated working pressure:	72MPa
Rated flow:	0.27L/min
Low pressure flow:	1.2L/min(At 5MPa)
Hydraulic oil capacity:	1.1L
Length of hydraulic hose at output end:	2.1m
Quick interface type:	Single pipe interface
Battery specifications:	64V 6.0Ah
Quality:	8.42kg
TECHNICAL DATA	Opener
Maximum opening distance:	230mm
Maximum opening force:	63.91KN
Collapse Length:	220mm
Separation distance:	275mm
Separation force:	65.18KN
Jacking distance:	350mm
Jacking force:	69.22KN
Quality:	3.85kg

TECHNICAL DATA	Micro shear
Opening distance:	32mm
Shearing capacity:	One cut Φ 20Q235A round steel
Quick interface type:	Single pipe interface
Quality:	3.74kg
TECHNICAL DATA	Crowbar
Overall dimensions:	400x100x25mm
Quality:	0.72kg
TECHNICAL DATA	Waist axe
Overall dimensions:	300x140x20mm
Flat head cutting force:	Φ6.5 Hot-rolled ribbed bar
Maximum opening distance of cutting head:	5.3mm
Cutting capacity:	Q235A steel plate with thickness of 2.0
Quality:	
TECHNICAL DATA	Dilator
Maximum expansion tension:	50.52KN
Spreading distance:	153.7mm
Quick interface type:	Single pipe interface
Quality:	2.97kg

BE-EHK-5A Backpack electric demolition



Electric pump



Micro dilator



Micro shear



Crowbar



Opener

TECHNICAL DATA

Micro dilator

Expansion tension:	39.7KN
Spreading distance:	150mm

TECHNICAL DATA

Miniature door opener

Maximum opening force:	63.05KN
Maximum opening distance:	104mm
Closing length:	250mm

TECHNICAL DATA

Micro shear

Opening distance:	32mm
Shearing capacity:	18mm round steel (Q235A material)

TECHNICAL DATA

Crowbar

Length:	335mm
---------	-------

TECHNICAL DATA

electrical hydraulic pump

Pump type:	Single-stage pump
Operation form:	Electric button

Rescue lifting air cushion

TECHNICAL DATA

Specifications:	1-64T, various models and types, optional
Enclosure:	Carton
Features:	It is made of imported natural rubber high-strength fiber material, anti-static, crack resistant, wear-resistant, oil resistant and anti-aging
Application scenario:	
Disaster relief and rescue work after the earthquake	Mobile railway bridge
Mining marble and large stones	Train rerail
Open the elevator door	Dismantle the wheel disc and gear when repairing heavy machinery
Support or move pipeline during pipeline maintenance and welding	Inclined truck assisted unloading
Mobile large machinery and equipment	Large laboratory leveling



RXR-M80D-DH01 Fire fighting robot

TECHNICAL DATA

speed:	1.6m/s
Obstacle clearance height:	250mm
Endurance:	5h
Working hours:	24h
Communication distance:	1.3km
Water cannon pressure:	0.6-1.6MPa
Maximum flow:	80L/s adjustable
Range:	85m
Machine dimensions:	1850x1060x1060mm
Outsourcing size:	1960x1180x1300mm
Features:	With water cannon self-swing function, one-button self-swing can improve fire extinguishing efficiency, reduce operation difficulty and avoid obstacles automatically



BE-FDM-5 Anti-theft door breaking tool set (type A)

TECHNICAL DATA

To configure:	Door opener GS01002, micro separator x1, shear x1
	Four-in-one multi-purpose crowbar GS01001, manual pump Gs01004
Features:	Wide application range, high cost performance, high safety performance, precision machining, small size



GEM II Ring cutter

TECHNICAL DATA

Enclosure:	GEM electric cutter x1, load battery box x1, finger protector x1
	Diamond cutting blade x1, auxiliary screwdriver x1, carbide cutting blade x4
	Needle-nose expansion pliers x4, exercise disc x1, coolant x1, small suitcase x1
Features:	Can cut 6mm, easily cut any material, portable, safe operation, efficient cutting



BH23 Internal combustion rock drill

TECHNICAL DATA

Tool holder diameter:	27mm
Tool holder length:	80mm
Net weight:	23kg
Gross weight:	28.5kg
Dimensions (without cutting wheel frame):	790x450x333mm
Outsourcing size:	840x475x370mm
Enclosure:	Pick and chisel
Features:	It has wide applicability, convenient operation, convenient conversion and more time-saving



PTQ6.0-Y110S80B Norwegian small thrower

TECHNICAL DATA

Throwing distance (water/land):	150/200m
Specification of throwing rope:	φ 3mmx230m
working pressure:	8.5MPa
Rope throwing tension:	≥2000N
Air flight time:	3-5s
Launch muzzle velocity:	60m/s
Gun body weight/ejection weight:	7.5/1.8kg
Backpack size:	600x350x300mm
Enclosure:	Firing gun x1, extended barrel x1, inflatable bottle x1, rope bag (150m land, 100m water)
Features:	Long-distance water rescue can be realized, and it is convenient for rescue personnel to quickly put into rescue work



BE-Y250 Long-range thrower

TECHNICAL DATA

Throwing distance (water/land):	150/200m
Specification of throwing rope:	φ 3mmx230m
Working pressure:	8.5MPa
Rope throwing tension:	≥2000N
Air flight time:	3-5s
Launch muzzle velocity:	60m/s
Gun body weight/ejection weight:	7.5/1.8kg
Backpack size:	600x350x300mm
Enclosure:	Firing gun x1, extended barrel x1, inflatable bottle x1, rope bag (150m land, 100m water)
Features:	High-pressure air is used as the launching power, and no open flame can be shot from or into the flammable area



BE-Y80 Lifesaving thrower

TECHNICAL DATA

Transmitting distance:	80m
Cylinder capacity:	0.77L
Working pressure of head throwing gun:	800psi
Cylinder pressure:	3000psi
Number of launches:	≥15
Inflation time:	< 30s
Size of throwing head grab:	1115x92x206mm
Gun body weight/projectile weight:	4.72/0.6kg
Backpack size:	60x35x30cm
Enclosure:	Firing gun x1, extended barrel x1, inflatable bottle x1, rope bag (150m land, 100m water)
Features:	It is suitable for rescue sites in complex waters, especially for disaster sites such as power outage or vehicle failure



ResQmax Lifesaving thrower

TECHNICAL DATA

(1-PART#805) Land use time	(1-PART#808) Water use time
Rope length (water/land):	100m/152m
Throwing distance (water/land):	Above 87m/104m
Enclosure:	Rope gun launcher, compressed inflatable life jacket, life jacket protective shell
Features:	It is applicable to rescue sites in complex waters, and uses compressed air as the driving force to push the rope forward



NUT SPLITTER SERIES



DURABLE,
SAVE TIME AND EFFORT

2436 CHARGING TYPE HYDRAULIC NUT SPLITTER

EBS-2436



With continuous function

EB-2436



Regular function

DES-2436 (Brushless drive)



With continuous function

DE-2436 (Brushless drive)



Regular function

TECHNICAL DATA

Max.output:	50KN
Stroke:	18mm
Cutting times: (Per saturation voltage)	250times Depend on M12-4.8 grade nut
Voltage/capacity:	18V/4.0Ah
Net weight:	6.4kg
Charger voltage:	100-240VAC
Charging time:	2 hours
Splitting range:	13-24mm
Thread of nut range:	M8-M24
Package:	Plastic box
ACCESSORIES	
Battery:	2pcs
Charger:	1pc



2432 CHARGING TYPE HYDRAULIC NUT SPLITTER

EBS-2432



With continuous function

EB-2432



Regular function

DES-2432 (Brushless drive)



With continuous function

DE-2432 (Brushless drive)



Regular function

TECHNICAL DATA	
Max.output:	50KN
Stroke:	18mm
Cutting times: (Per saturation voltage)	250times Depend on M12-4.8 grade nut
Voltage/capacity:	18V/4.0Ah
Net weight:	6.4kg
Charger voltage:	100-240VAC
Charging time:	2 hours
Splitting range:	13-24mm
Thread of nut range:	M8-M24
Package:	Plastic box
ACCESSORIES	
Battery:	2pcs
Charger:	1pc











CHARGING TYPE HYDRAULIC NUT SPLITTER

MINI CHARGING TYPE HYDRAULIC NUT SPLITTER

GES-24 / GE-24



FEATURES

-  Micro computer control system-automatically detect the pressure when it is crimping, with double safety protect.
-  The hydraulic unit incorporates an automatic retraction which returns the piston into its starting position when the maximum operating pressure is reached.
-  The tool equipped with a double piston pump which characterized by a fast approach towards the connecting material and a slow working stroke.
-  The crimping head can be smoothly turned by 350° around the longitudinal axis in order to gain better access to tight corners and other difficult working areas.
-  If a deviation from the set operation pressure or low battery charges is identified, an acoustic signal sounds and a red display flashes.
-  All tools can be controlled by one trigger. This results in an easy handling and a better grip compared to a two button operation.
-  Li-ion batteries do neither have a memory effect nor self discharge. Even after long periods of non operation the tool is always ready to operate. In addition we see a lower power weight ratio with 50% more capacity and shorter charging cycles compare to NiMH batteries.
-  A Temperature sensor makes the tool stop working automatically when the temperature over 60°C under long time working, the fault signal sounds, it means the tool can't continue work until the temperature reduced to the normal.

TECHNICAL DATA

Max. output:	50KN
Stroke:	18mm
Cutting times: (Per saturation voltage)	250times Depend on M12-4.8 grade nut
Voltage/capacity:	18V/2.0Ah
Net weight:	2.8kg
Charger Voltage:	100-240VAC
Charging time:	2 hours
Splitting range:	13-24mm
Thread of nut range:	M6-M16
Package:	Plastic box

ACCESSORIES

Battery:	2pcs
Charger:	1pc



GES-2432 / GE-2432 Single cutter head

TECHNICAL DATA	
Max.output:	120KN
Stroke:	18mm
Cutting times: (Per saturation voltage)	250times Depend on M12-4.8 grade nut
Voltage/capacity:	18V/2.0Ah
Net weight:	2.8kg
Charger voltage:	100-240VAC
Charging time:	2 hours
Splitting range:	13-24mm
Thread of nut range:	M8-M24
Package:	Plastic box
ACCESSORIES	
Battery:	2pcs
Charger:	1pc



GES-2436 / GE-2436 Double cutter head

TECHNICAL DATA	
Max.output:	120KN
Stroke:	18mm
Cutting times: (Per saturation voltage)	250times Depend on M12-4.8 grade nut
Voltage/capacity:	18V/2.0Ah
Net weight:	2.8kg
Charger voltage:	100-240VAC
Charging time:	2 hours
Splitting range:	13-24mm
Thread of nut range:	M8-M24
Package:	Plastic box
ACCESSORIES	
Battery:	2pcs
Charger:	1pc



MANUAL TYPE HYDRAULIC NUT SPLITTER

CPC-12A (Manual type)



TECHNICAL DATA

Cutting rang:	Φ4-12mm
Output:	45KN
Stroke:	15mm
Length:	315mm
Weight:	1.9kg
Package:	plastic box
Weight of case:	0.56kg

CPC-16A (Manual type)



TECHNICAL DATA

Cutting rang:	Φ4-16mm
Output:	60KN
Stroke:	18mm
Length:	410mm
Weight:	3.4kg
Package:	plastic box
Weight of case:	0.9kg

CPC-22A (Manual type)



TECHNICAL DATA

Cutting rang:	Φ4-22mm
Output:	100KN
Stroke:	24mm
Length:	480mm
Weight:	4.2kg
Package:	plastic box
Weight of case:	1.2kg

YP-24A (Manual type)



TECHNICAL DATA

Max cutting force:	70KN
Stroke:	20mm
Length:	470mm
Weight:	3.5kg
Package:	plastic box
Weight of box:	2.0kg
Size of nut:	M8-M16

YP-24 (Manual type) With safety system inside



TECHNICAL DATA

Max cutting force:	100KN
Stroke:	20mm
Length:	490mm
Weight:	4.0kg
Package:	plastic box
Weight of box:	3.5kg
Size of nut:	M8-M16

PUNCHING SERIES



CRAFTED WITH PRECISION,
THE QUALITY CAN BE LEARNED

12 CHARGING TYPE HYDRAULIC PUNCHING TOOLS SERIES

EBS-12



With continuous function

EB-12



Regular function

DES-12 (Brushless drive)



With continuous function

DE-12 (Brushless drive)



Regular function

TECHNICAL DATA

Punching force:	120KN
Stroke:	27mm
Punching times:	180 times (Per saturation voltage)
Charger voltage:	100-240VAC
Battery/Voltage:	18V/4.0Ah, Li-ion
Maximum round punch size:	61.5mm dia (in 3.5mm mild steel)
Charging time:	2 hours
Net weight:	4.9kg
Package:	Plastic box

ACCESSORIES

DESCRIPTION	HOLE SIZE (TYPE C)	
	Φ (INCH)	Φ mm
1/2" Conduit size punch&die	7/8"	0.885
3/4" Conduit size punch&die		1.115
1" Conduit size punch&die		1.362
1-1/4" Conduit size punch&die		1.701
1-1/2" Conduit size punch&die	1-15/16"	1.951
2" Conduit size punch&die	2-3/8"	2.146
7/16"x3/4" Draw stud		1pc
3/4"x3/4" Draw stud		1pc
Spacer:		1pc
Sealing kit:		1pc
Battery:		2pcs
Charger:		1pc



MINI CHARGING HYDRAULIC PUNCHING TOOLS SERIES

GES-EWK-8AL GE-EWK-8AL

FEATURES

- 180°x 360° rotary punching head suit to working in narrow space.
- One trigger to operate and retraction in automatic or manual.
- According to human body design with antislip handle, easy to hold.
- Microcomputer control system inside with double safety protection.
- LED light ensure to working in dark site.

TECHNICAL DATA

Max. output:	60KN
Stroke:	25mm
Punching times: (Per saturation voltage)	250times Max.mild steel 3mm, Φ49.6mm
Voltage/capacity:	18V/4.0Ah
Net weight:	4.0kg
Charger voltage:	100-240VAC
Charging time:	2 hours
Package:	Plastic box

ACCESSORIES

Battery:	2pcs
Charger:	1pc

3.5mm mild steel: Max. punching hole 61.5mm (pipe conduct 2")
2mm mild steel: Max punching hole 161.9mm (pipe conduct 6")
2mm stainless steel: Max punching hole 61.5mm (pipe conduct 2")



KNOCKOUT PUNCHES



ROUND PUNCHES

- Application: Punch mild steel, aluminium, fiberglass and plastic.

Standard round knockout punches (Type D)

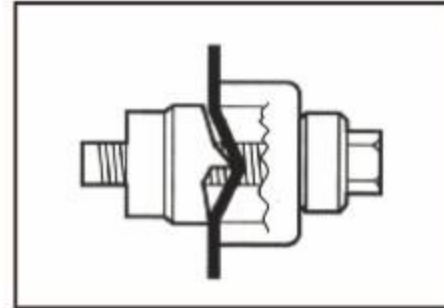
CONDUIT&PIPE SIZE	HOLE SIZE(ACTUAL)		CAPACITY	
	Φ (INCH)	Φ mm	mm	GA
1/2"	7/8"	22.5	3.5	10
3/4"	-	28.3	3.5	10
1"	-	34.6	3.5	10
1-1/4"	1-11/16"	43.2	3.5	10
1-1/2"	1-15/16"	49.6	3.5	10
2"	2-3/8"	61.5	3.5	10
2-1/2"	2-7/8"	74	3.5	10
3"	3-1/2"	89.9	3.5	10
3-1/2"	4"	102.7	3.5	10
4"	4-1/2"	115.4	3.5	10
5"	5-5/8"	144.1	3.5	10
6"	6-3/8"	161.9		
Customized as order				



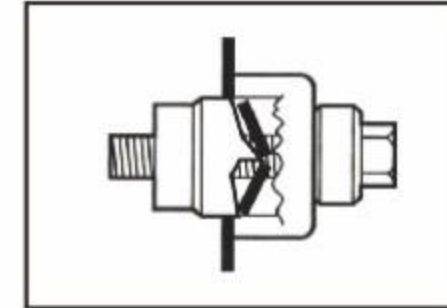
Capacity: Mild steel up through 3.5mm (10 gauge)
Application: Punch mild steel, aluminum, fiberglass and plastic.
Operation: Battery, hydraulic, ratchet or manual drivers. When used with ratchet, hydraulic or battery drivers, buy the punch and die only; the draw stud is part of the driver kit.

Round knockout punches (Type C)

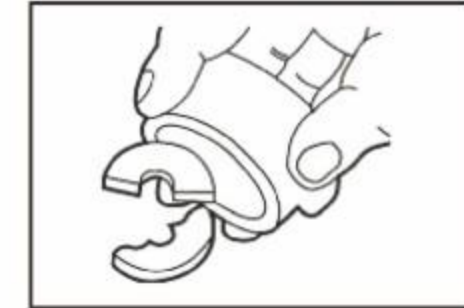
CONDUIT&PIPE SIZE	HOLE SIZE(ACTUAL)		CAPACITY		DRAW STUD WITH BEAING
	Φ (INCH)	Φ mm	mm	GA	
1/2"	7/8"	22.5	3.5	10	3/8", 24UN
3/4"	-	28.3	3.5	10	3/4", 16UN
1"	-	34.6	3.5	10	3/4", 16UN
1 1/4"	1-11/16"	43.2	3.5	10	3/4", 16UN
1 1/2"	1-15/16"	49.6	3.5	10	3/4", 16UN
2"	2-3/8"	61.5	3.5	10	3/4", 16UN



Punch design creases slug as the punch is drawn into the die



Slug is split in half as punching operation is completed



Split slugs fall free from the die and stud

Round Manual Knockout Punch Kits (Type C)

DESCRIPTION	CAPACITY (MILD STEEL)	
	mm	GA
1/2"-1 1/4" Conduit Size	3.5	10
1 1/2", 2" Conduit Size	3.5	10
1/2", 2" Conduit Size	3.5	10

Type C 1/2"- 1/4" Knockout Punch Kit Includes

DESCRIPTION	HOLE SIZE(ACTUAL)	
	Φ (INCH)	Φ mm
1/2" Conduit Size Punch&Die	0.885	22.50
3/4" Conduit Size Punch&Die	1.115	28.30
1" Conduit Size Punch&Die	1.362	34.60
1 1/4" Conduit Size Punch&Die	1.701	43.20
3/8", 24UN Draw stud with beaing		
3/4", 16UN Draw stud with beaing		
Plastic box		

Type C Manual Knockout Kits 1/2"-2" Includes

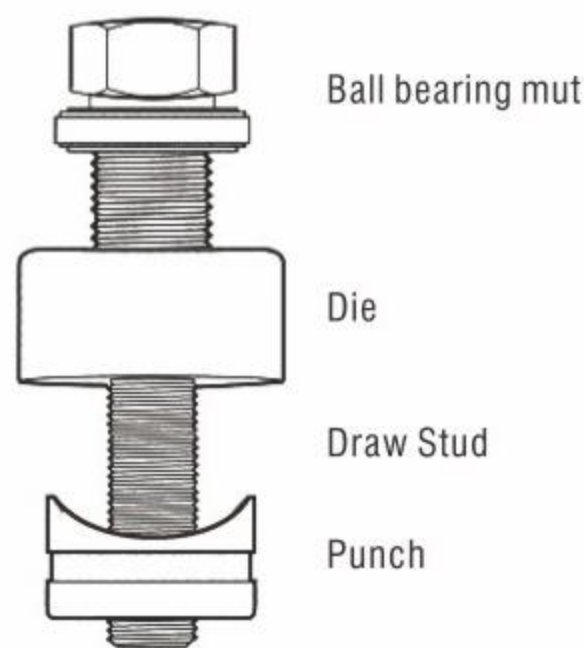
DESCRIPTION	HOLE SIZE(ACTUAL)	
	Φ (INCH)	Φ mm
1-1/2" Conduit Size Punch&Die	1.951	49.6
2" Conduit Size Punch&Die	2 3/8" 2.416	61.5
3/4", 16UN Draw stud with beaing		
Plastic box		

Type C 1/2"-2" Knockout Punch Kit Includes

DESCRIPTION	HOLE SIZE(ACTUAL)	
	Φ (INCH)	Φ mm
Ratchet wrench-1" Hex		
1/2" Conduit Size Punch&Die	7/8" 0.885	22.5
3/4" Conduit Size Punch&Die	1.115	28.3
1" Conduit Size Punch&Die	1.362	34.6
1 1/2" Conduit Size Punch&Die	1.701	43.2
1 1/4" Conduit Size Punch&Die	1.951	49.6
2" Conduit Size Punch&Die	2 3/8" 2.416	61.5
3/8", 24UN Draw stud with beaing		
3/4", 16UN Draw stud with beaing		
Plastic box		



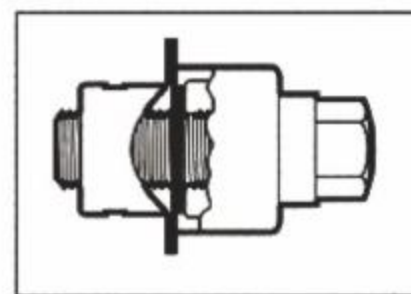
KNOCKOUT PUNCHES



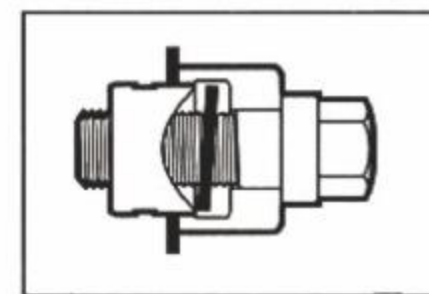
Standard round knockout punches (Type B)

- Capacity: Mild steel up through 3.5mm (10gauge)
- Application: Punch mild steel, aluminium, fiberglass and plastic.
- Operation: Battery, hydraulic, ratchet or manual drivers. When used with ratchet,hydraulic or battery drivers, buy the punch and die only; the draw stud is part of the driver kit.

CONDUIT&PIPE SIZE	HOLE SIZE(ACTUAL)		CAPACITY		DRAW STUD WITH BEAING	
	Φ(INCH)	Φ mm	mm	GA		
1/2"	7/8"	0.885	22.5	3.5	10	3/8", 24UN
3/4"	-	1.115	28.3	3.5	10	3/4", 16UN
1"	-	1.362	34.6	3.5	10	3/4", 16UN
1 1/4"	-	1.701	43.2	3.5	10	3/4", 16UN
1 1/2"	1-15/16"	1.951	49.6	3.5	10	3/4", 16UN
2"	2-3/8"	2.416	61.5	3.5	10	3/4", 16UN
2 1/2"	2-7/8"	2.914	74.0	3.5	10	3/4", 16UN
3"	3-1/2"	3.539	89.9	3.5	10	3/4", 16UN
3 1/2"	4"	4.044	102.7	3.5	10	3/4", 16UN
4"	4-1/2"	4.544	115.4	3.5	10	3/4", 16UN
5"	5-5/8"	5.675	144.1	3.5	10	3/4", 16UN
6"	6-3/8"	6.375	161.9	3.5	10	3/4", 16UN



Every cut quick and clean



Slug falls free in die



Just tip it out

Standard round knockout punches (Type D)

DESCRIPTION	CAPACITY (MILD STEEL)	
	mm	GA
1/2"-1 1/4" Conduit Size	3.5	10
1 1/2"-2" Conduit Size	3.5	10



Type B 1/2"-1 1/4" Knockout Punch Kit Includes

DESCRIPTION	HOLE SIZE(ACTUAL)	
	Φ(INCH)	Φ mm
1/2"Conduit Size Punch&Die	7/8"	22.50
3/4"Conduit Size Punch&Die	1.115	28.30
1"Conduit Size Punch&Die	1.362	34.60
1 1/4"Conduit Size Punch&Die	1.701	43.20
3/8",24UN Draw stud with beaing		
3/4",16UN Draw stud with beaing		
Plastic box		



Type B 1 1/2"-2" Knockout Punch Kit Includes

DESCRIPTION	HOLE SIZE(ACTUAL)	
	Φ(INCH)	Φ mm
1 1/2"Conduit Size Punch&Die	1-15/16"	49.6
2" Conduit Size Punch&Die	2-3/8"	61.5
Plastic box		

Standard knockout punches (Type F)

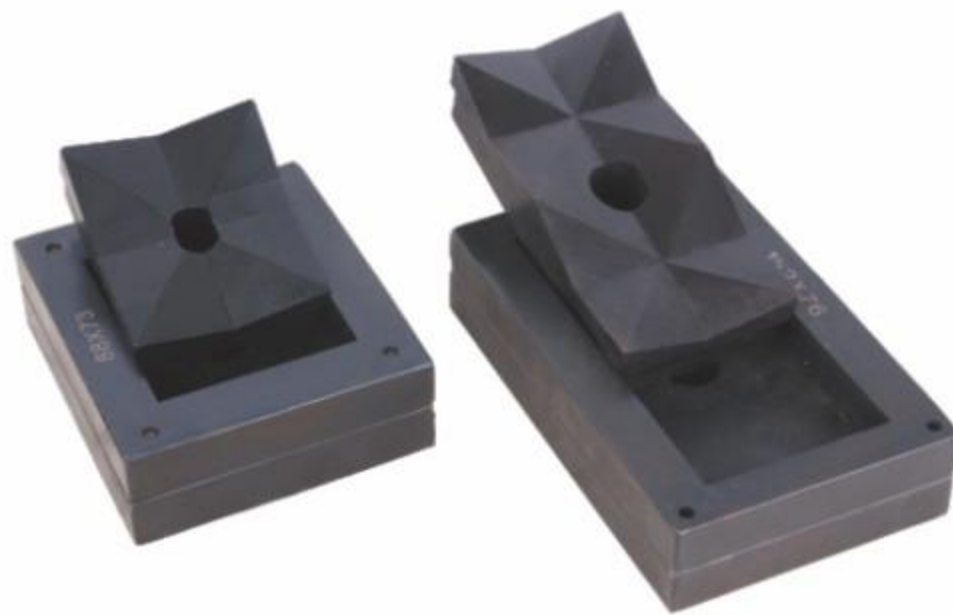


SQUARE PUNCHES

Capacity: Mild steel up through 3.5mm (10gauge)
Application: Punch mild steel, aluminium, fiberglass and plastic.
Operation: Battery, hydraulic or manual drivers.

HOLE SIZE(ACTUAL)		MAX CAPACITY MILD STEEL		OPERATION TYPE	
		Φ mm	mm		
5/8"	0.625x0.625	15-9x15-9	2.0	14	Hand/Hydr.
3/4"	0.750x0.750	19-1x19-1	2.0	14	Hand/Hydr.
7/8"	0.882x0.882	22-4x22-4	2.0	14	Hand/Hydr.
1"	1.000x1.000	25-4x25-4	2.0	14	Hand/Hydr.
	1.772x1.772	45-0x45-0	3.5	10	Hand/Hydr.
1-13/16"	1.811x1.811	46-0x46-0	3.5	10	Hydr.Only
2"	2.000x2.000	50-8x50-8	3.5	10	Hydr.Only
2-11/16"	2.677x2.677	68-0x68-0	3.5	10	Hydr.Only
3-5/8"	3.622x3.622	92-0x92-0	3.5	10	Hydr.Only
4-1/8"	4.125x4.125	104-8x104-8	3.5	10	Hydr.Only
	5.433x5.433	138-0x138-0	2.0	14	Hydr.Only

Rectangular knockout punches (Type G)



RECTANGULAR PUNCHES

Capacity: Mild steel up through 3.5mm (10gauge)
Application: Punch mild steel, aluminium, fiberglass and plastic.
Operation: Battery, hydraulic, ratchet or manual drivers.

HOLE SIZE(ACTUAL)		MAX CAPACITY MILD STEEL		OPERATION TYPE
		Φ mm	mm	
0.861x1.018	21.9x25.9	2.0	14	Hand/Hydr.
0.886x1.181	22.0x30.0	2.0	14	Hand/Hydr.
0.866x1.654	22.0x42.0	2.0	14	Hand/Hydr.
0.990x1.140	25.1x29.0	2.0	14	Hand/Hydr.
1.250x1.380	31.8x35.1	2.0	14	Hand/Hydr.
1.312x2.625	33.3x67.9	3.5	10	Hydr.Only
1.378x2.047	35.0x52.0	3.5	10	Hydr.Only
1.378x2.559	35.0x65.0	3.5	10	Hydr.Only
1.378x3.228	35.0x82.0	2.0	14	Hydr.Only
1.378x4.409	35.0x112.0	2.0	14	Hydr.Only
1.811x3.622	46.0x92.0	3.5	10	Hydr.Only
2.250x3.500	57.2x88.9	3.5	10	Hydr.Only
2.677x5.433	68.0x138.0	2.0	14	Hydr.Only

MANUAL HYDRAULIC PUNCHING TOOLS

TP-8C

TECHNICAL DATA

Punching range:	Φ22.5-Φ61.5mm	in the 3.5mm mild steel
Punching force:	66KN	
Stroke:	22mm	
Length:	320mm	
Weight:	2.7kg	
Package:	plastic box	
Weight of box:	1.2kg	
ACCESSORIES:		
Round Knockout Punches Type D: 22.5, 28.3, 34.6, 43.2, 49.6, 61.5mm		
7/16"x3/4" Draw Stud:		1pc
3/4"x3/4" Draw Stud:		1pc
Spacer:		1pc



MANUAL HYDRAULIC PUNCHING TOOLS

TPA-8

TECHNICAL DATA

Punching range:	Φ22.5-Φ61.5mm in the 3.5mm mild steel
Punching force:	69KN
Stroke:	22mm
Length:	310mm
Weight:	2.2kg
Package:	plastic box
Weight of box:	1.2kg

ACCESSORIES:

Round Knockout Punches Type D: 22.5, 28.3, 34.6, 43.2, 49.6, 61.5mm

7/16"x3/4" Draw Stud: 1pc

3/4"x3/4" Draw Stud: 1pc

Spacer: 1pc

- Lightweight design for portability and fast, easy one-person operation.
- Develops 66KN of hydraulic force for easy punching, even in 3.5mm mild steel, depending on individual punch capacities.
- Allow unlimited driver orientation to simplify access to work area.



SYK-8B

TECHNICAL DATA

Punching range:	Φ21.5-Φ61.5mm in the 3.5mm mild steel
Punching force:	100KN
Stroke:	25mm
Weight:	5.6kg
Package:	steel case
Weight of box:	3.0kg

ACCESSORIES:

Round Knockout Punches Type D: 22.5, 28.3, 34.6, 43.2, 49.6, 61.5mm

7/16"x3/4" Draw Stud: 1pc

3/4"x3/4" Draw Stud: 1pc

Spacer: 1pc

- The finished distributor, on-off case and plate can change the specification at any time. It can change the size of the tools simply, and will not destroy the surface at all after drilling hole.
- We can make the tools according to customer's requirement, quick delivery.
- When order rectangle and square tools, please measure the correct dimension.



SYK-15

TECHNICAL DATA

Punching range:	Φ21.5-Φ61.5mm in the 3.5mm mild steel
Punching force:	150KN
Stroke:	25mm
Weight:	7.1kg
Package:	steel case
Weight of box:	4.4kg

ACCESSORIES:

Round Knockout Punches Type D: 22.5, 28.3, 34.6, 43.2, 49.6, 61.5mm

Square knockout punches: 32x32mm

7/16"x3/4" Draw Stud: 1pc

3/4"x3/4" Draw Stud: 1pc

Spacer: 1pc



HYDRAULIC PUMP / BUSBAR PROCESSING MACHINE SERIES



CRAFTED WITH PRECISION,
THE QUALITY CAN BE LEARNED



GE-260 (Adjustable pressure function)

Crimping force	70Mpa/40Mpa
Oil capacity	260ml
Power	279w
Voltage/capacity	18V/4.0Ah
Start working mode	Manual switch + Bluetooth APP remote control + remote control 20m
Scope of application	Use hydraulic tools with less than 250ml oil
Package	Plastic box
Tool weight	3.5kg



Bluetooth APP remote control



Remote control



EBS-2000

Crimping force	700Mpa(700Bar)
Oil capacity	1500ml
Power	950w
Voltage/capacity	18V/9.0Ah
Start working mode	Manual switch
Scope of application	Use hydraulic tools with oil volume less than 1200ml
Displacement	High pressure 0.5L/min; Low pressure 3.5L/min
Tool weight	9.8kg



EBS-2000-B (with remote control function)

Crimping force	700Mpa(700Bar)
Oil capacity	1500ml
Power	950w
Voltage/capacity	18V/9.0Ah
Start working mode	Manual switch + remote control
Scope of application	Use hydraulic tools with oil volume less than 1200ml
Displacement	High pressure 0.5L/min; Low pressure 3.5L/min
Tool weight	9.8kg



Bluetooth APP remote control



Remote control



EBS-2000-C (with remote control function adjustable pressure function)

Crimping force	700Mpa(700Bar)
Oil capacity	1500ml
Power	950w
Voltage/capacity	18V/9.0Ah
Start working mode	Manual switch + remote control + pressure relay adjustment control
Scope of application	Use hydraulic tools with oil volume less than 1200ml
Displacement	High pressure 0.5L/min; Low pressure 3.5L/min
Tool weight	9.8kg



Bluetooth APP remote control



Remote control



ELECTRIC HYDRAULIC PUMP

QQ-700

High pressure	70Mpa	High pressure flow	20T
Low pressure	7Mpa	Low pressure flow	Cardboard box
Motor Power	1.2kw	Voltage	5.6kg/11kg (including packaging + mold)
Frequency	50-60Hz	Rotating speed	Cardboard box
Net weight	10kg	Oil capacity	5.6kg/11kg (including packaging + mold)
Oil type	Oils that can be filled directly: Great Wall, Mobil, No.32-15 anti-wear hydraulic oil, No.7-15 hydraulic transmission oil; Oil that cannot be filled directly: No.46 hydraulic oil should be blended with one third of diesel (or brake oil for automobiles)		

- The hydraulic electric pump has the functions of small size, high pressure, light weight, convenient carrying, simple operation and wide application;
- High and low pressure two-stage output, large oil volume;
- Low pressure adopts plunger type to increase effective pressure;
- Single oil circuit, electromagnetic wired remote control, suitable for various functions such as cutting, perforating, bending and lifting;
- Pressure overload protection device to avoid damage to equipment due to overpressure;
- Automatic protection to ensure no leakage during use;
- Equipped with a pressure relay, which can control the oil pump to stop working after the pressure is in place.



BP-700 single circuit electric pump

Motor Power	0.75kw	Operating Voltage	220V/380V
High pressure	70Mpa	Low pressure	7Mpa
High pressure flow	0.9L/min (higher than 7Mpa)	Low pressure flow	5L/min (lower than 7Mpa)
Package	Wooden box	Net weight	
Oil capacity	(The oil tank can be enlarged, and the oil pump uses 15# hydraulic oil, and the thinner the oil below 15#, the better)		
Working mode	Manual control (foot control) switch control with solenoid valve; random delivery in two ways		



BP-700-2 double circuit electric pump

Motor Power	0.75kw	Operating Voltage	220V/380V
High pressure	70Mpa	Low pressure	7Mpa
High pressure flow	0.9L/min (higher than 7Mpa)	Low pressure flow	5L/min (lower than 7Mpa)
Package	Wooden box	Net weight	
Oil capacity	(The oil tank can be enlarged, and the oil pump uses 15# hydraulic oil, and the thinner the oil below 15#, the better)		
Working mode	Manual control switch control with solenoid valve;		

- It is suitable for split hydraulic tongs, punching, bending, cutting tools, jacks and other hydraulic products.
- The pressure has been set to 70MPa when leaving the factory, and the upper pressure value can be adjusted according to the customer's requirements, and the adjustable range is 20-70mpa.
- The high-pressure oil pipe can be lengthened arbitrarily, and the factory oil pipe is equipped with a 2m long pipe as standard.
- The electric hydraulic pump is high and low pressure plunger pump (there are two kinds of manual switch and foot switch).
- Oil pipe joint with ZG3/8 "teeth.



BP-700E Single loop electromagnetic pump

Motor Power	0.75kw	Operating Voltage	220V/380V
High pressure	70Mpa	Low pressure	7Mpa
High pressure flow	1L/min (higher than 7Mpa)	Low pressure flow	5L/min (lower than 7Mpa)
Motor speed	1400r/min	Net weight	25Kg
Package	Wooden box	Gross weight	30Kg(including packaging)
Oil storage	(The oil tank can be enlarged, and the oil pump uses 15# hydraulic oil, and the thinner the oil below 15#, the better)		
Working mode	Manual control (foot control) switch control with solenoid valve; random delivery in two ways		
Oil type	Oils that can be filled directly: Great Wall, Mobil, No.32-15 anti-wear hydraulic oil, No.7-15 hydraulic transmission oil; Oil that cannot be filled directly: No.46 hydraulic oil should be blended with one third of diesel (or brake oil for automobiles)		



FEATURES:

- It is suitable for split hydraulic tongs, punching, bending, cutting tools, jacks and other hydraulic products.
- The pressure has been set as 70MPa when leaving the factory, and the upper pressure value can be adjusted according to the customer's requirements, and the adjustable range is 20-70mpa.
- The high-pressure oil pipe can be lengthened arbitrarily, and the factory oil pipe is equipped with a 2m long pipe as standard.
- The electric hydraulic pump is high and low pressure plunger pump (with manual switch and foot switch)

BP-700E-2 Double loop double electromagnetic pump

Motor Power	0.75kw	Operating Voltage	220V/380V
High pressure	70Mpa	Low pressure	7Mpa
High pressure flow	0.9L/min(7Mpa)	Low pressure flow	5L/min(7Mpa)
Package	Wooden box	Net weight	32Kg
Oil storage	(The oil tank can be enlarged, and the oil pump uses 15# hydraulic oil, and the thinner the oil below 15#, the better)		
Working mode	Manual control (foot control) switch control with solenoid valve; random delivery in two ways		
Oil type	Oils that can be filled directly: Great Wall, Mobil, No.32-15 anti-wear hydraulic oil, No.7-15 hydraulic transmission oil; Oil that cannot be filled directly: No.46 hydraulic oil should be blended with one third of diesel (or brake oil for automobiles)		



FEATURES:

- It is suitable for split hydraulic tongs, punching, bending, cutting tools, jacks and other hydraulic products.
- The pressure has been set as 70MPa when leaving the factory, and the upper pressure value can be adjusted according to the customer's requirements, and the adjustable range is 20-70mpa.
- The high-pressure oil pipe can be lengthened arbitrarily, and the factory oil pipe is equipped with a 2m long oil pipe as standard; the electric hydraulic pump is a high-low pressure plunger pump (there are two kinds of manual switch and foot switch).
- Oil pipe joint with ZG3/8"teeth.

MANUAL HYDRAULIC PUMP

HP-180

TECHNICAL DATA

Type:	Manual
Max output pressure:	70MPa
Output of the oil:	1.5cc
Capacity of oil:	185cc
Direction of piston:	single
Net weight:	approx.6kg
Size(LxWxH):	350x120x130mm



HP-390

TECHNICAL DATA

Type:	Manual
Max output pressure:	Low pressure: 2MPa High pressure: 70MPa
Output of the oil:	Low pressure: 4cc High pressure: 1cc
Capacity of oil:	390cc
Direction of piston:	double
Net weight:	approx.4.6kg
Size(LxWxH):	400X105x155mm



HP-700

TECHNICAL DATA

Type:	Manual
Max output pressure:	Low pressure: 2MPa High pressure: 70MPa
Output of the oil:	Low pressure: 11cc High pressure: 1.4cc
Capacity of oil:	940cc
Direction of piston:	double
Net weight:	approx.9kg
Size(LxWxH):	510X140x150mm



FEATURES:

- Hydraulic operated pump to drive crimping head, cutting heads and punching head Including, high pressure hose and coupler plug.
- PT3/8" screw thread, the oil number is Shell Tellus T15, oil which must be changed every half year.

HP-700B Manual hydraulic pump

TECHNICAL DATA

Type:	Manual	
Max output pressure:	Low pressure:	2MPa
	High pressure:	70MPa
Output of the oil:	Low pressure:	10cc
	High pressure:	1.8cc
Capacity of oil:	1800cc	
Direction of piston:	double	
weight:	approx.12.5kg	
Measurement(L x W x H):	510X150x200mm	



FP-700 Pedal hydraulic pump

TECHNICAL DATA

Type:	Pedal	
Max output pressure:	Low pressure:	2MPa
	High pressure:	70MPa
Output of the oil:	Low pressure:	5.5cc
	High pressure:	1cc
Capacity of oil:	700cc	
Direction of piston:	double	
Weight:	approx.10.6kg	
Measurement(L x W x H):	450X150x200mm	



FP-800 Pedal hydraulic pump

TECHNICAL DATA

Type:	Pedal	
Max output pressure:	Low pressure:	2MPa
	High pressure:	70MPa
Output of the oil:	Low pressure:	13cc
	High pressure:	2.5cc
Capacity of oil:	850cc	
Direction of piston:	double	
weight:	approx.11.1kg	
Measurement(L x W x H):	450X150x200mm	

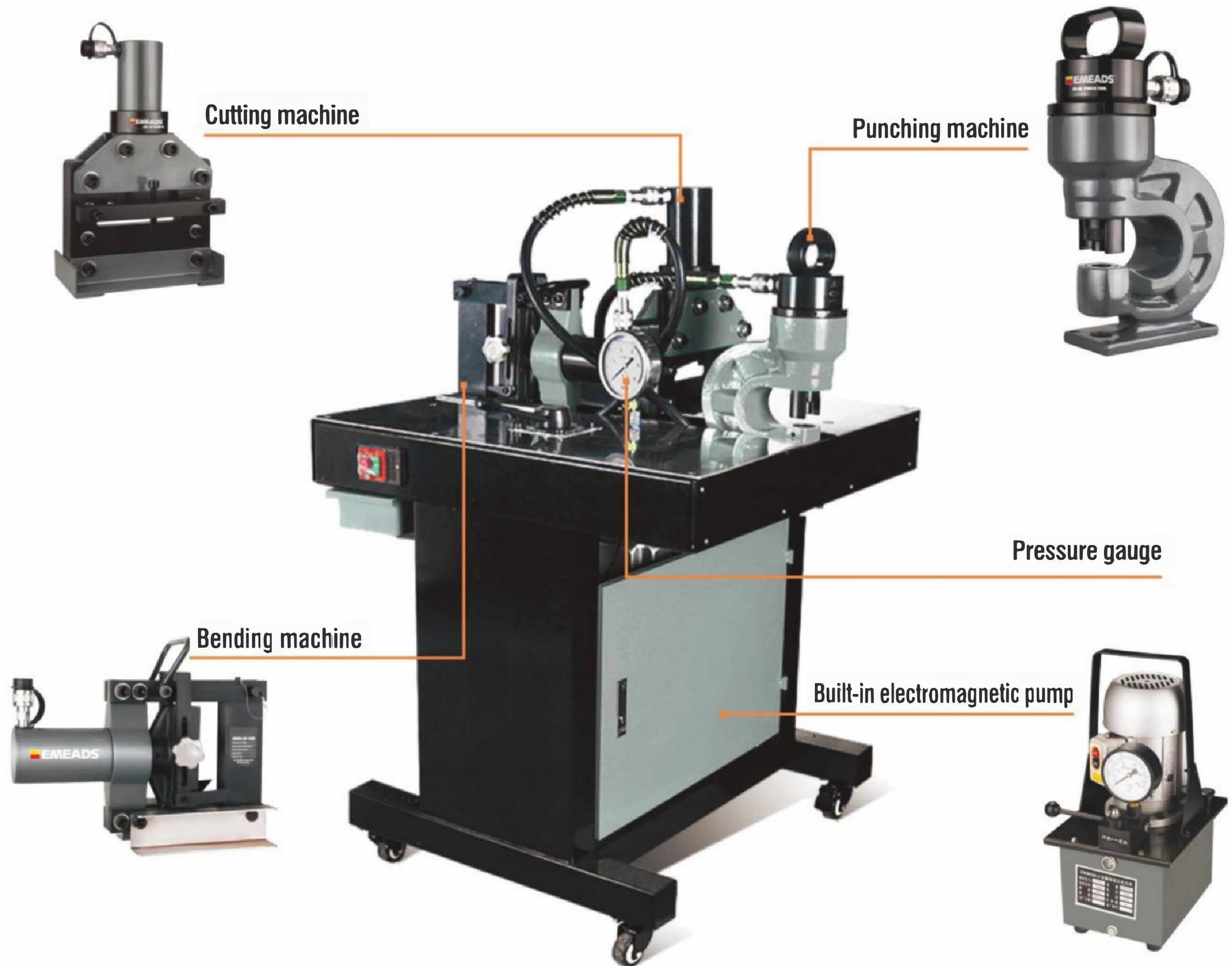


FEATURES:

- Big capacity of oil, operate with big cylinder.
- Hydraulic operated pump to drive crimping head and cutting heads and punching head Including 2M high pressure hose and coupler plug.
- PT3/8" screw thread, the oil number is Shell Tellus T15, oil which must be changed every half year.

MULTI-FUNCTION BUSBAR PROCESSING MACHINE

VBA-150 / VBA-200



TECHNICAL DATA

Model No:	DHY -150	DHY -200
Cut off the range:	Copper and aluminum row width ≤ 150mm, thickness 3-10mm	Copper and aluminum row width ≤ 200mm, thickness 3-12mm
Bend range:	Copper and aluminum row width ≤ 150mm, thickness 3-10mm	Copper and aluminum row width ≤ 200mm, thickness 3-12mm
Punching range:	Copper and aluminum row width ≤ 150mm, thickness 3-10mm	Copper and aluminum row width ≤ 200mm, thickness 3-12mm
Standard punching die:	φ 7、φ 9、φ 10.5、φ 13.8、φ 17、φ 20.5mm (Can be customized for other sizes of circular and long mold)	
Hole center to the edge of the distance:	95mm	110mm
Input voltage:	220v/380v	220v/380v
Rated working oil pressure:	700kgf/cm ² 10000Psi	700kgf/cm ² 10000Psi
Total Weight:	170kg	200kg

PRODUCT SELECTION :

Flat bend processing range	Copper and aluminum row width 40,50,60,80,100,125; Copper and aluminum row thickness of 4,6,8,10
Embossing machine processing range	Copper and aluminum row width ≤ 150mm, thickness ≤ 12.5mm
300 hydraulic clamp range	Copper terminal 16-300mm ² ; aluminum terminal 25-240mm ²
500 hydraulic clamp range	Copper terminal 16-500mm ² ; aluminum terminal 16-400mm ²

CWC-150 / CWC-200

FEATURES:

- It is ideal tools for cutting metal sheet up to 12mm.
- More precised cutting use lowest energy.

TECHNICAL DATA

Model No:	CWC-150	CWC-200
Max thickness of sheet:	10mm	12mm
Width of sheet:	150mm	200mm
Cutting force:	150KN	200KN
Height:	approx.400mm	approx.420mm
Net weight:	approx.29kg	approx.32.5kg

NOTE: It can match hand pump CP-700 or electric pump

For cutting copper and aluminum plate one side cut,no scrap



CWC-150V / CWC-200V

For cutting copper and aluminum plate.two sides cut at the same time,create scrap

TECHNICAL DATA

Model No:	CWC-150V	CWC-200V
Max thickness of sheet:	10mm	12mm
Width of sheet:	150mm	200mm
Cutting force:	150KN	200KN
Height:	approx.400mm	approx.420mm
Net weight:	approx.25.9kg	approx.29.3kg

NOTE: It can match hand pump CP-700 or electric pump



CB-150D

For bending copper and aluminum plate



CB-200A



TECHNICAL DATA

Model No	Bending Force	Max thickness of sheet	Width of sheet	Height	Net weight
CB-150D	160KN	10mm	150mm	approx 360mm	approx 19.2kg
CB-200A	200KN	12mm	200mm	approx 370mm	approx 27.4kg

PUNCHING MACHINE

CH-60

FEATURES:

- Punching the different kind of metal sheet up to 10mm.
- It can match hand pump CP-700 or electric pump.
- High-strength return spring for rapid cylinder retraction.
- High-hardness of material for punching die, easier for operation.
- Half-opened casting body, widely use in different areas.

TECHNICAL DATA

Max thickness of sheet:	10mm
Punching force:	300KN
Stroke:	25mm
Depth of throat:	70mm
Height:	approx.350mm
Net weight:	approx.16.9kg
ACCESSORIES:	3/8" (φ 10.5), 1/2" (φ 13.8), 5/8" (φ 17), 3/4" (φ 20.5)

Note: It used for Cu/Al plate



CH-70

FEATURES:

- Punching the different kind of metal sheet up to 10mm.
- It can match hand pump CP-700 or electric pump.
- High-strength return spring for rapid cylinder retraction.
- High-hardness of material for punching die, easier for operation.
- Half-opened casting body, widely use in different areas.

TECHNICAL DATA

Max thickness of sheet:	12mm
Punching force:	350KN
Stroke:	42mm
Depth of throat:	100mm
Height:	approx.350mm
Net weight:	approx.33.3kg
ACCESSORIES:	3/8" (φ 10.5), 1/2" (φ 13.8), 5/8" (φ 17), 3/4" (φ 20.5)

Note: it used for Cu/Al plate



CB-150D Bending machine + CH-60 Punching machine + CWC-150 Cutting machine + DYB-63A Electric oil pump = 150 General pump configuration

COMBINATION
1

CB-150D Bending machine + CH-60 Punching machine + CWC-150 Cutting machine + HHB-700A Solenoid valve pump = 150 Solenoid valve pump configuration

COMBINATION
2

CB-200A Bending machine + CH-70 Punching machine + CWC-200 Cutting machine + DYB-63A Electric oil pump = 200 General pump configuration

COMBINATION
3

CB-200A Bending machine + CH-70 Punching machine + CWC-200 Cutting machine + HHB-700A Solenoid valve pump = 200 Solenoid valve pump configuration

COMBINATION
4

CB-150D Bending machine + CH-60 Punching machine + CWC-150 Cutting machine + HHB-700A Solenoid valve pump + FYQ-300 Crimping pliers = 150 solenoid valve + 300 crimping pliers

COMBINATION
5

CB-150D Bending machine + CH-60 Punching machine + CWC-150 Cutting machine + HHB-700A Solenoid valve pump + FYQ-400 Crimping pliers = 150 solenoid valve + 400 crimping pliers

COMBINATION
6

BUSBAR PROCESSING MACHINE

COMBINATION 7

CH-70 Punching machine + CWC-200 Cutting machine + HHB-700A Solenoid valve pump + CB-125D Horizontal vertical bend = 200 type solenoid valve + horizontal and vertical bending

COMBINATION 8

CB-200A Bending machine + CH-70 Punching machine + CWC-200 Cutting machine + HHB-700A Solenoid valve pump + FYQ-400 Crimping pliers = 200 type solenoid valve + 400 crimping pliers

COMBINATION 9

CB-200A Bending machine + CH-70 Punching machine + CWC-200 Cutting machine + HHB-700A Solenoid valve pump + FYQ-300 Crimping pliers = 200 type solenoid valve + 300 crimping pliers

COMBINATION 10

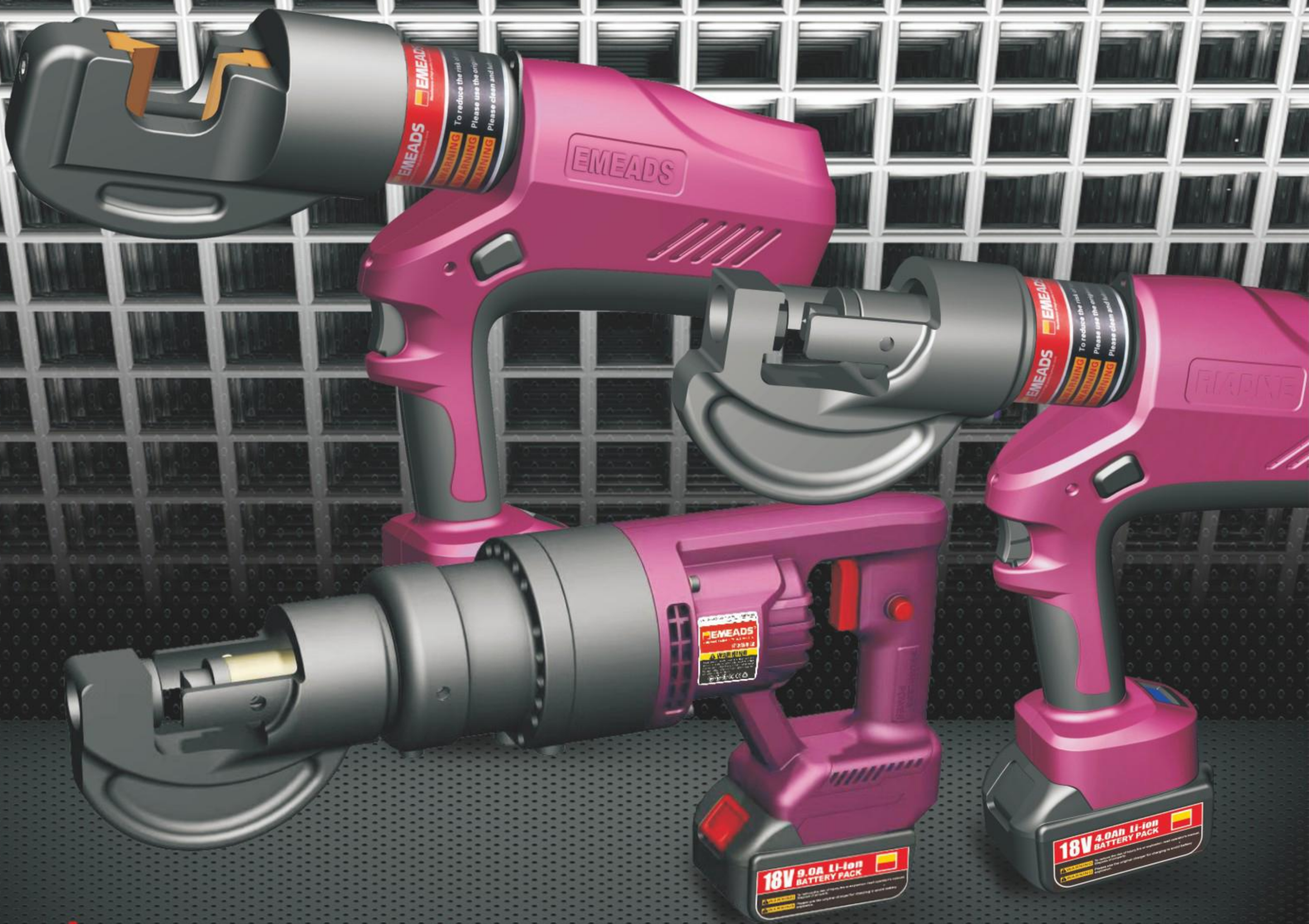
CB-200A Bending machine + CH-70 Punching machine + CWC-200 Cutting machine + HHB-700A Solenoid valve pump + HYB-150B Embossing machine = 200 type solenoid valve + embosser

COMBINATION 11

CB-150D Bending machine + CH-60 Punching machine + CWC-150 Cutting machine + DB150-D1 Solenoid valve pump = 150 Solenoid valve pump configuration 1.5KW pump

BUSBAR PROCESSING MACHINE

INFRASTRUCTURE SERIES



CRAFTED WITH PRECISION,
THE QUALITY CAN BE LEARNED

CHARGING TYPE HYDRAULIC PUNCHING MACHINE

EB-1220H

TECHNICAL DATA

Suitable for plates:	Copper aluminum plate, angle iron, stainless steel, channel steel
Punching thickness:	Iron plate angle iron channel steel ≤ 4mm; Copper bar and aluminum bar ≤ 8mm
Deep throat:	60mm
Charger voltage:	100-240VAC
Voltage/capacity:	18V/4.0Ah
Power:	12T
Charging time:	2 hours
Net weight:	7.5kg
Mould configuration:	8.5, 10.5, 13.5, 17.5mm
Package:	Plastic box
ACCESSORIES	
Battery:	2pcs
Charger:	1pc



EB-1125H

TECHNICAL DATA

Suitable for plates:	Copper aluminum plate, angle iron, stainless steel, channel steel
Punching thickness:	Iron plate/channel steel (No. 8), angle steel ≤ 6mm, copper bar ≤ 10mm
Deep throat:	60mm
Charger voltage:	100-240VAC
Voltage/capacity:	18V/4.0Ah
Power:	25T
Charging time:	2 hours
Net weight:	10kg
Mould configuration:	6.5, 8.5, 11, 13, 17, 21, 25mm
Package:	Plastic box
ACCESSORIES	
Battery:	2pcs
Charger:	1pc



EB-1220HG (Special for PV)

TECHNICAL DATA

Suitable for plates:	3mm inner photovoltaic U-shaped channel steel, angle steel 2.5mm stainless steel plate
Punching thickness:	< 5mm
Deep throat:	60mm
Charger voltage:	100-240VAC
Voltage/capacity:	18V/4.0Ah
Power:	12T
Charging time:	2 hours
Net weight:	6kg
Mould configuration:	10.5mm, 13.5mm, 2 pairs each
Package:	Plastic box
ACCESSORIES	
Battery:	2pcs
Charger:	1pc



EBS-616B (Special for punching PV support)

TECHNICAL DATA	
Suitable for plates:	3mm inner photovoltaic U-shaped channel steel, angle steel 2.5mm stainless steel plate
Stroke:	18mm
Punching thickness:	< 5mm
Deep throat:	26mm
Charger voltage:	100-240VAC
Voltage/capacity:	18V/5.0Ah/9.0Ah optional
Power:	14T
Charging time:	4 hours
Net weight:	7kg
Mould configuration:	11mm, 13mm
Package:	Plastic box
ACCESSORIES	
Battery:	2pcs
Charger:	1pc



EBS-616

TECHNICAL DATA	
Suitable for plates:	Copper aluminum plate, angle iron, stainless steel
Stroke:	18mm
Punching thickness:	Iron plate angle iron ≤ 5mm; Copper bar and aluminum bar ≤ 10mm
Deep throat:	26mm
Charger voltage:	100-240VAC
Voltage/capacity:	18V/5.0Ah/9.0Ah optional
Power:	14T
Charging time:	4 hours
Net weight:	7.5kg
Mould configuration:	6.5, 8.5, 11, 13, 17mm
Package:	Plastic box
ACCESSORIES	
Battery:	2pcs
Charger:	1pc



CHARGING TYPE HYDRAULIC REBAR CUTTER

EBS-10



TECHNICAL DATA	
Max.output:	80KN
Stroke:	10mm
Cutting times:	200times (Per saturation voltage)
Voltage/capacity:	18V/4.0Ah
Net weight:	5.0kg
Charger voltage:	100-240VAC
Charging time:	2 hours
Cutting range:	2-10mm
Blade mold configuration:	2 pairs
Package:	Plastic box
ACCESSORIES	
Battery:	2pcs
Charger:	1pc

EBS-16



TECHNICAL DATA	
Max.output:	130KN
Stroke:	16mm
Cutting times:	200times (Per saturation voltage)
Voltage/capacity:	18V/4.0Ah
Net weight:	6.5kg
Charger voltage:	100-240VAC
Charging time:	2 hours
Cutting range:	2-16mm
Blade mold configuration:	2 pairs
Package:	Plastic box
ACCESSORIES	
Battery:	2pcs
Charger:	1pc

EBS-20

TECHNICAL DATA	
Max.output:	200KN
Stroke:	20mm
Cutting times:	150times (Per saturation voltage)
Voltage/capacity:	18V/4.0Ah
Net weight:	8.5kg
Charger voltage:	100-240VAC
Charging time:	2 hours
Cutting range:	2-20mm
Blade mold configuration:	2 pairs
Package:	Plastic box
ACCESSORIES	
Battery:	2pcs
Charger:	1pc



RA-16

NEW TYPE Rebar cutter, portable electric hydraulic rebar cutters are lighter, smaller, quiet portable and easily to operate, also it safe for the users as cutting without sparks, sediment, use for cutting off construction rebar, deformed bar, round steel bar, steel rod, threaded rod etc.

TECHNICAL DATA	
Voltage	220V/110V
Wattage	900W
Gross weight	11 kg
Net weight	6.8kg
Cutting speed	2.5-3.0s
Max rebar	16mm
Min rebar	4mm
Packing size	530 x 160 x 370mm
Machine size	450 x 130 x 180 mm



Package: one pc/Plastic box/Cardboard Ctn
Certificate: CE ROHS

RA-20

TECHNICAL DATA	
Voltage	220V/110V
Wattage	1200W
Gross weight	14 kg
Net weight	9.5kg
Cutting speed	3.0-3.5s
Max rebar	20mm
Min rebar	4mm
Packing size	530 x 160 x 370mm
Machine size	410 x 130 x 210 mm



Package: one pc/Plastic box/Cardboard Ctn
Certificate: CE ROHS

RA-25

TECHNICAL DATA	
Voltage	220V/110V
Wattage	1500W
Gross weight	26kg
Net weight	20kg
Cutting speed	5.0s
Max rebar	25mm
Min rebar	4mm
Packing size	565 x 230 x 345mm
Machine size	490 x 145 x 250mm



Package: one pc/Plastic box/Cardboard Ctn
Certificate: CE ROHS

PLUG-IN TYPE REBAR CUTTER

NRC-20

TECHNICAL DATA	
Voltage	220V/110V
Wattage	950/1300W
Gross weight	17 kg
Net weight	12.5kg
Cutting speed	3.0-3.5s
Max rebar	20mm
Min rebar	4mm
Packing size	575 x 280 x 165mm
Machine size	500 x 130 x 140mm



Package:one pc/Metal box/Cardboard Ctn
Certificate: CE ROHS

RC-16

TECHNICAL DATA	
Voltage	220V/110V
Wattage	850/900W
Gross weight	13 kg
Net weight	8kg
Cutting speed	2.5-3.0s
Max rebar	16mm
Min rebar	4mm
Packing size	510 x 230 x 150mm
Machine size	460 x 270 x 115mm



Package:one pc/Metal box/Cardboard Ctn
Certificate: CE ROHS PSE KC

RC-18

TECHNICAL DATA	
Voltage	220V/110V
Wattage	950/1250W
Gross weight	15 KGS
Net weight	8.5KGS
Cutting speed	4-5s
Max rebar dia	18MM
Min rebar dia	4MM
Carton size	550 x 270 x 150mm
Machine size	500 x 140 x 130mm



Package:One PC/Metal box/Cardboard Ctn
Certificate: CE Rohs

RC-20

TECHNICAL DATA	
Voltage	220V/110V
Wattage	950/1250W
Gross weight	18.3kg
Net weight	13kg
Cutting speed	3.0-3.5s
Max rebar	20mm
Min rebar	4mm
Packing size	480 x 195 x 280mm
Machine size	410 x 115 x 220mm



Package:one pc/Metal box/Cardboard Ctn
Certificate: CE ROHS

RC-22

Rebar cutter(RC),portable electric hydraulic rebar cutters are lighter,small,quiet protable and easily to operate,also it safe for the users as cutting without sparks,sediment,use for cutting off construction rebar,deformed bar,round steel bar,steel rod,threaded rod etc.

TECHNICAL DATA	
Voltage	220V/110V
Wattage	1000/1350W
Gross weight	21.5 kg
Net weight	15kg
Cutting speed	3.5-4.5s
Max rebar	22mm
Min rebar	4mm
Packing size	485 x 190 x 330mm
Machine size	420 x 120 x 230mm



Package:one pc/Meat box/Cardboard Ctn
Certificate: CE ROHS

RC-25

TECHNICAL DATA	
Voltage	220V/110V
Wattage	1600/1700W
Gross weight	32kg
Net weight	24.5kg
Cutting speed	5.0s
Max rebar	25mm
Min rebar	4mm
Packing size	565 x 230 x 345mm
Machine size	480 x 150 x 255mm



Package:one pc/Meat box/Cardboard Ctn
Certificate: CE ROHS PSE KC

RC-32

TECHNICAL DATA	
Voltage	220V/110V
Wattage	2900W/3000W
Gross weight	40kg
Net weight	31kg
Cutting speed	6-7s
Max rebar	32mm
Min rebar	6mm
Packing size	630 x 240 x 350mm
Machine size	520 x 170 x 270mm



Package:One PC/Meat box/Cardboard Ctn
Certificate: CE Rohs

PLUG-IN TYPE REBAR BENDER

RB-16 / NRB-22

TECHNICAL DATA	RB-16	NRB-22
Voltage	220V	220V
Wattage	900w	1200w
Cutting speed	4-5S	4-5S
Angle	0-130°	0-130°
Scope	4-16mm	4-22mm
Gross weight	16.5kg	21kg
Net weight	13.5kg	15kg



NRB-25A / NRB-25A-1

TECHNICAL DATA	
Voltage	220V
Wattage	1500w
Cutting speed	4-5S
Angle	0-130°
Scope	4-25mm
Gross weight	25kg
Net weight	15.5kg

Note: NRB-25A-1 includes straightening block



NRB-25B / NRB-25B-1

TECHNICAL DATA	
Voltage	220V
Wattage	1500w
Cutting speed	4-5S
Angle	0-130°
Scope	4-25mm
Gross weight	25kg
Net weight	15.5kg

Note: NRB-25B-1 includes straightening block



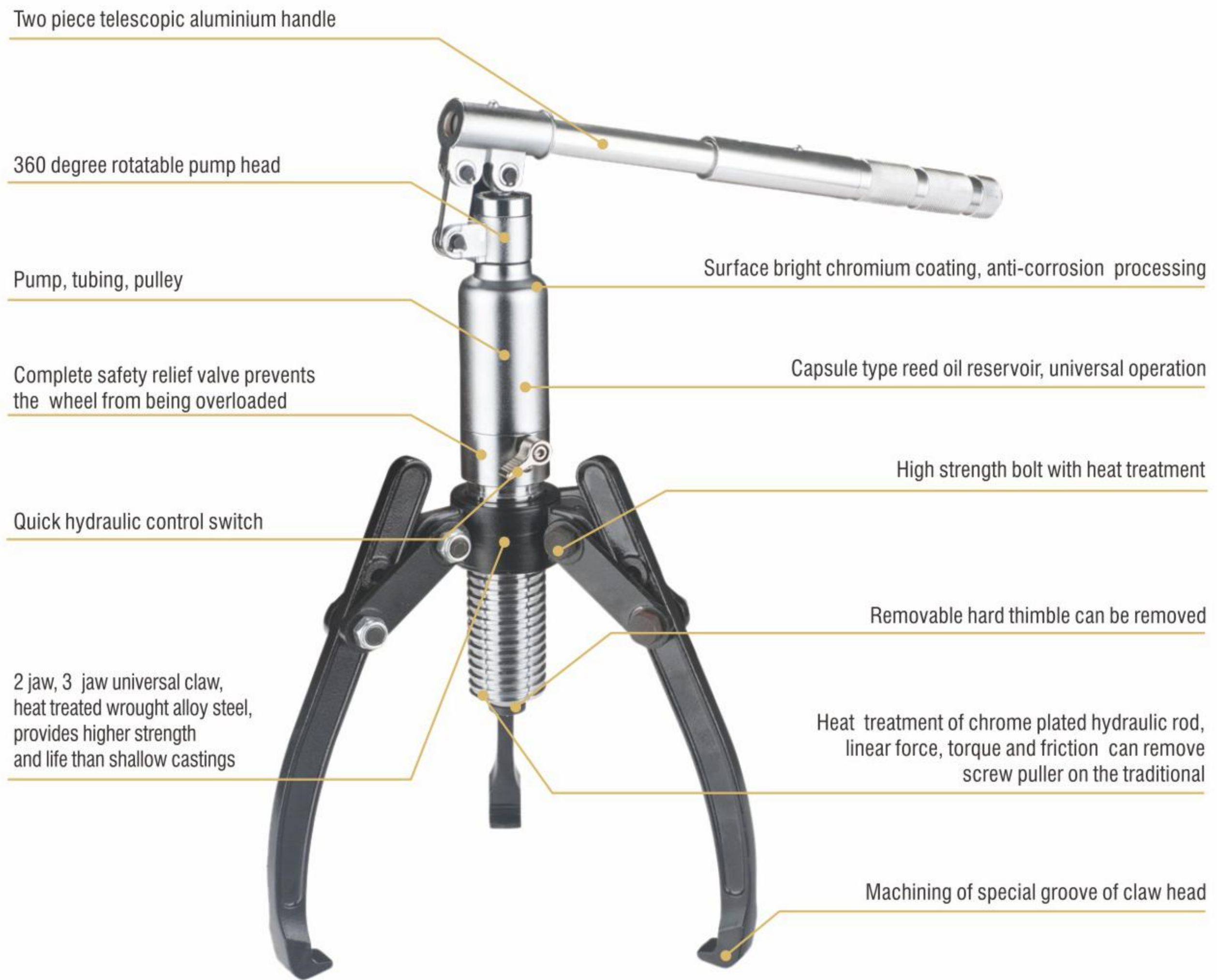
GEAR PULLER / STEEL CYLINDER SERIES

CRAFTED WITH PRECISION,
THE QUALITY CAN BE LEARNED



INTEGRAL-UNIT HYDRAULIC GEAR PULLER

YL-5T / YL-10T



TECHNICAL DATA

Model No.	YL-5T	YL-10T
Power	5T	10T
Spread	200mm	250mm
Reach	140mm	160mm
Arise travel	50mm	50mm

FEATURES:

- Using new type of hydraulic gear puller is convenient for operating.
- Workers can exchange two jaws and three jaws freely in the scene working.
- The puller can be touched working center quickly after rotary according to the distance between puller and piston center.
- The jaws with three can be adjusted from high to low point.



TECHNICAL DATA

Model No.	HL-5T	HL-10T	HL-15T	HL-20T	HL-30T	HL-50T
Power	5T	10T	15T	20T	30T	50T
Spread	200mm	250mm	300mm	350mm	400mm	500mm
Reach	140mm	160mm	180mm	200mm	200mm	220mm
Axis travel	50mm	50mm	50mm	50mm	50mm	65mm

FEATURES:

- Using new type of hydraulic gear puller is convenient for operating.
- Workers can exchange two jaws and three jaws freely in the scene working.
- The puller can be touched working center quickly after rotary according to the distance between puller and piston center.
- The jaws with three can be adjusted from high to low point.

SPLIT-UNIT HYDRAULIC GEAR PULLER



- Using new type of hydraulic gear puller is convenient for operating.
- Workers can exchange two jaws and three jaws freely in the scene working.
- The puller can be touched working center quickly after rotary according to the distance between puller and piston center.
- It can choose pump freely HP-700,HP-180.
- The jaws with three can be adjusted from high to low point.



TECHNICAL DATA

Model No.	SL-5T	SL-10T	SL-15T	SL-20T	SL-30T	SL-50T
Power	5T	10T	15T	20T	30T	50T
Spread	200mm	250mm	300mm	350mm	400mm	500mm
Reach	140mm	160mm	180mm	200mm	250mm	300mm
Ares travel	50mm	50mm	50mm	50mm	75mm	75mm

- Low height is suit for working in narrowness; Short stroke can block up times and times.
- The surface of plunger is finished with chrome plate to protect the using of longevity of the product.
- Plunger has the function of retracting automatically.



DESCRIPTION OF PARTS

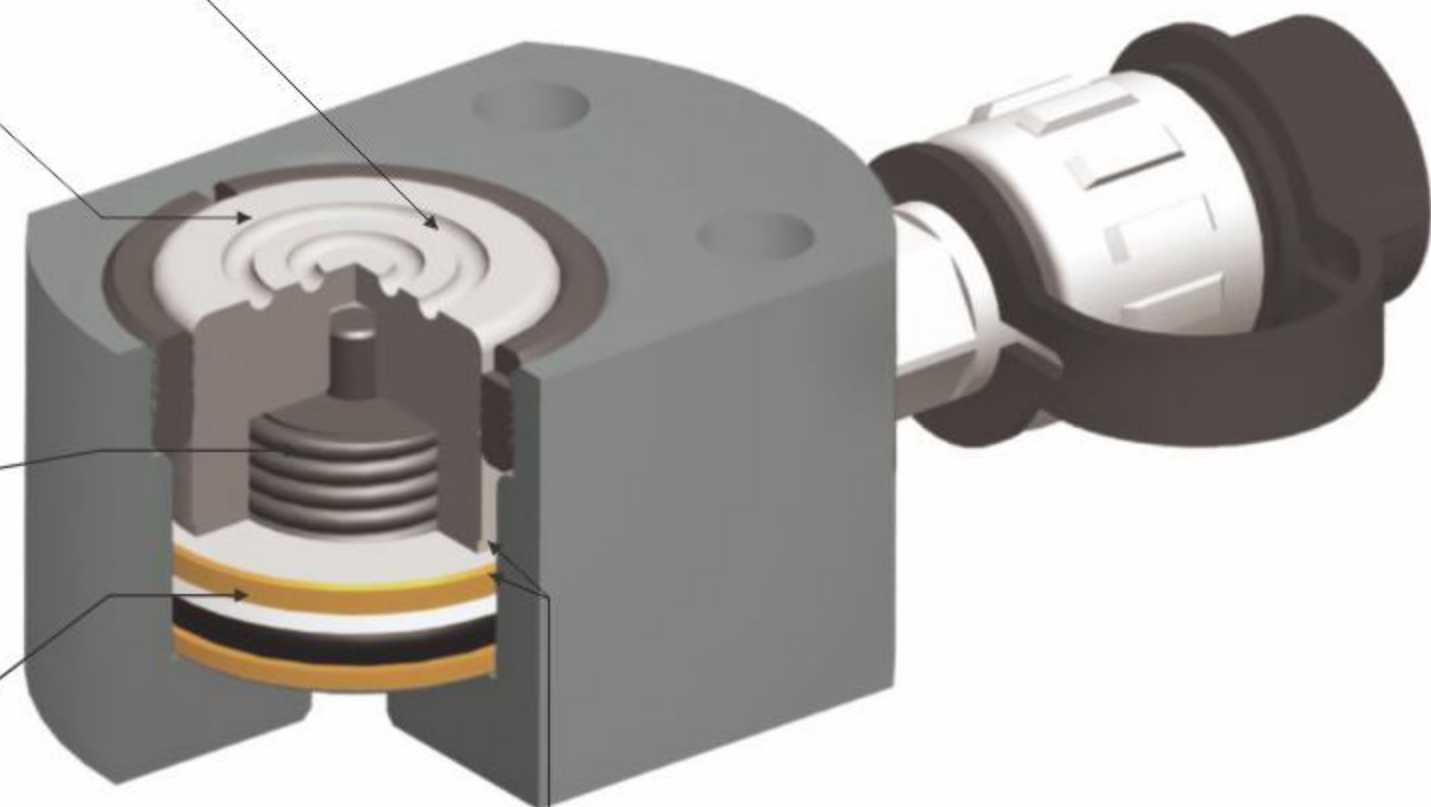
1.Principal axis(avoid axis break when it is overloading)

2.Stopping ring (to protect the cylinder when the stroke get to top, absorb heaviness on the other side.)

3.Spring(provide the capability of quick flexing)

4.Brass ring(use high quality of brass to joint, to protect the status of overloading and absorb heaviness on the other side.)

5.Cylinder wall and principal axis
(they can avoid eroding and less friction by chrome plate)



TECHNICAL DATA

Model No.	Output (t)	Stroke (mm)	Effective area (cm ²)	Oil capacity (l)	Height of Product (mm)	Extended Height (mm)	Outside dia (Φ mm)	Bore dia (Φ mm)	Plunger dia (Φ mm)	Thread for Input oil-port (zg)	Saddle Protrusion From plgr (mm)	Weight (kg)
RMC-051	5	11	4.9	0.0078	43	54	51 × 40	30	25	NPT1/4"	1	0.65
RMC-101	10	11	11.3	0.016	47	58	81 × 56	43	38	3/8"-19	2	1.5
RMC-201	20	11	22	0.031	52	63	100 × 77	60	53	3/8"-19	2	2.7
RMC-301	30	12	31.1	0.05	63	75	115 × 95	75	63	3/8"-19	2	4.5
RMC-501	50	16	56.7	0.113	69	85	138 × 115	95	85	3/8"-19	2	7.4
RMC-1001	100	16	95	0.211	86	102	185 × 160	130	110	3/8"-19	2	15.5
RMC-1501	150	18	162.8	0.338	93	111	234 × 200	164	144	3/8"-19	2	25.4
RMC-2001	200	18	224.2	0.505	100	118	274 × 239	189	169	3/8"-19	2	38.1

RMC L-MULTISTAGE HYDRAULIC STEEL CYLINDER

- The stroke of RMC-L series are higher than RMC series

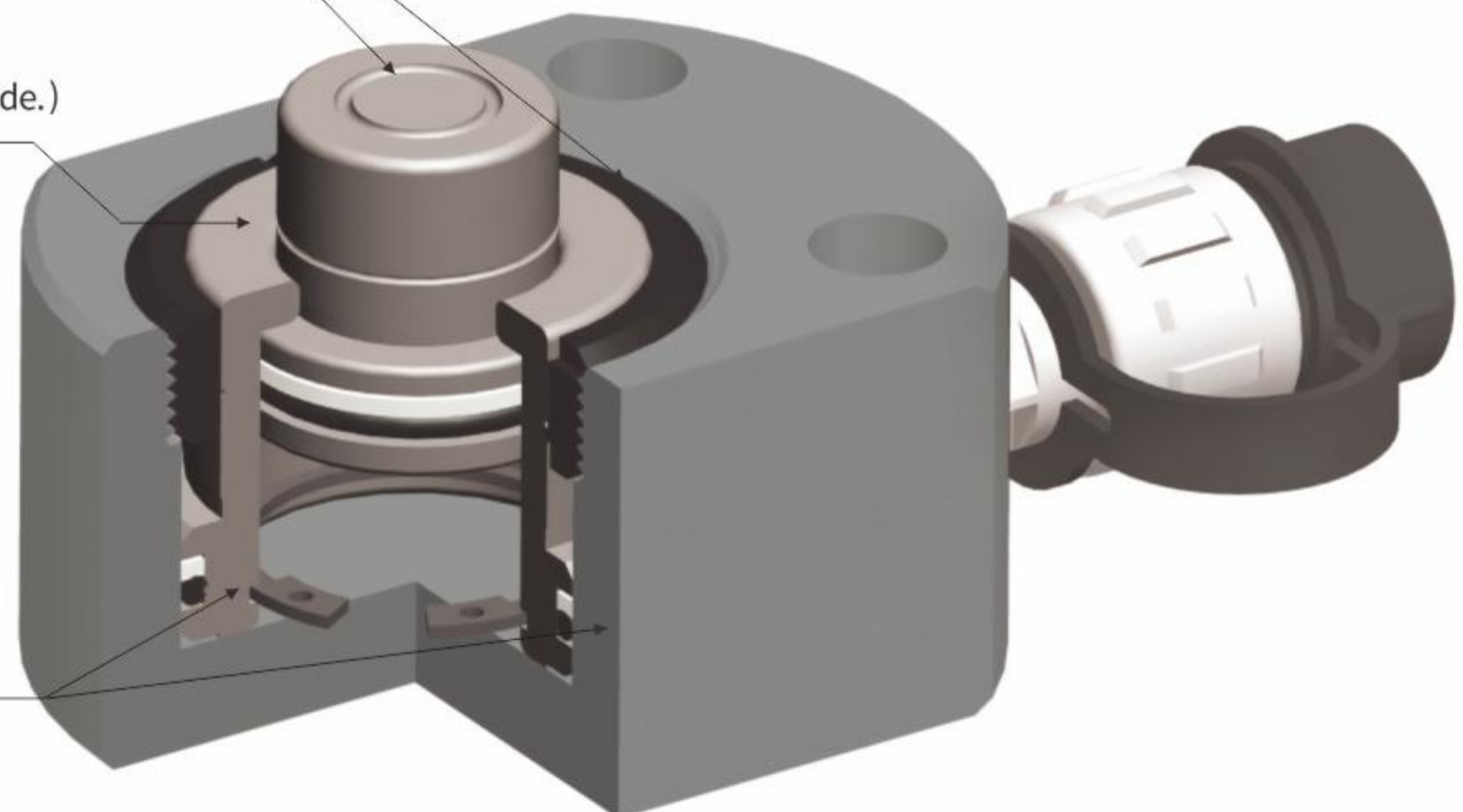


DESCRIPTION OF PARTS

1. Principal axis (more section designed to heighten the stroke)

2. Stopping ring (to protect the cylinder when the stroke get to top, absorb heaciness in the other side.)

3. O-ring
great effect for seaking and hold longevity.



TECHNICAL DATA

Model No.	Output (t)	Stroke (mm)	Effective area (cm ²)	Oil capacity (l)	Height of Product (mm)	Extended Height (mm)	Outside dia (Φ mm)	Bore dia (Φ mm)	Plunger dia (Φ mm)	Weight (kg)
RMC-101L	10	25	11.3	0.022	47	74	81x56	43	38	1.5
RMC-201L	20	26	19.6	0.041	52	80	100x77	60	53	2.7
RMC-301L	30	53	33.1	0.058	63	118	115x95	75	63	4.2
RMC-501L	50	64	56.7	0.113	69	135	138x115	95	85	7.2
RMC-1001L	100	75	95	0.225	86	163	185x160	130	110	15

- The surface of principle axis is finished with chrome plate to protect the using of longevity of the product.
- Principle axis has the function of retracting automatically.
- Surface coating resists corrosion, extending cylinder life.
- Hardy underlay to avoid axis break when it is overloading.



DESCRIPTION OF PARTS

1. Hardy underlay

(avoid plunger break when it is overloading)

2. Stopping ring

(to protect the cylinder when the stroke get to top, absorb heaviness in the other side.)

3. Spring

(provide the capability of quick flexing)

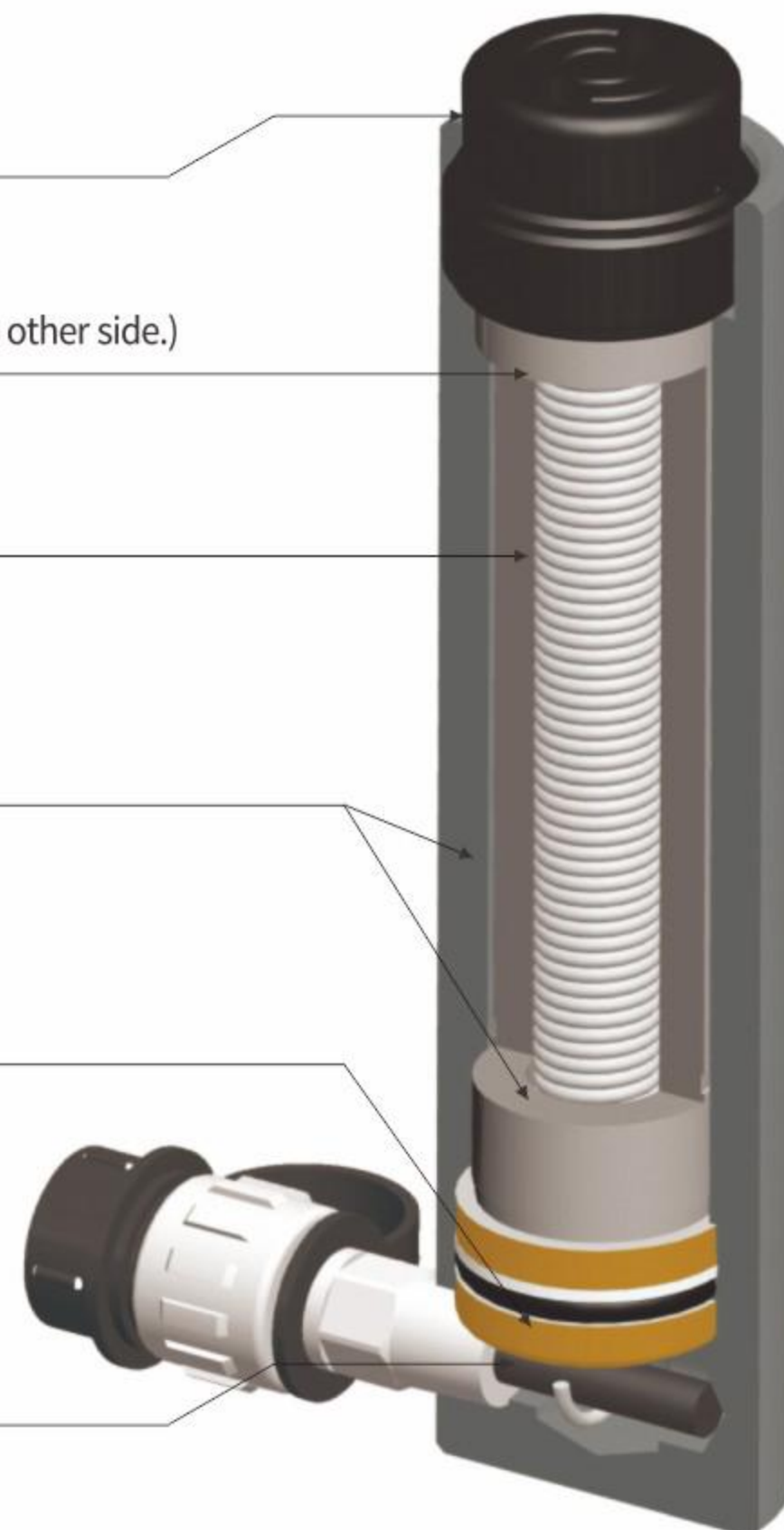
4. Cylinder wall and principal axis

(they can avoid eroding and less friction by chrome plate)

5. O-ring

(great effect for sealing and hold longevity.)

6. Brass ring(use high quality of brass to joint, to protect the status of overloading and absorb heaviness in the other side.)



RSC-SINGLE HYDRAULIC CYLINDER

TECHNICAL DATA

Model No.	Output (t)	Stroke (mm)	Effective area (cm ²)	Oil capacity (l)	Height of Product (mm)	Extended Height (mm)	Outside Dia (Φmm)	Bore dia (Φ mm)	Plunger dia (Φ mm)	Thread for Input oil-port (zg)	Saddle Protrusion from Plgr(mm)	Weight (kg)
RSC-0550	5	50	9.6	0.036	133	183	40	30	25	1/4"-19	13	
RSC-05100	5	100	9.6	0.071	183	283	40	30	25	1/4"-19	13	3
RSC-05150	5	150	9.6	0.108	232	382	40	30	25	1/4"-19	13	1.9
RSC-1050	10	50	15.2	0.075	139	189	58	43	38	3/8"-19	17	2.95
RSC-10100	10	100	15.2	0.152	189	289	58	43	38	3/8"-19	17	3.9
RSC-10150	10	150	15.2	0.228	239	389	58	43	38	3/8"-19	17	4.9
RSC-2050	20	50	33.2	0.166	157	207	88	65	58	3/8"-19	20	6.4
RSC-20100	20	100	33.2	0.332	207	307	88	65	58	3/8"-19	20	8,05
RSC-20150	20	150	33.2	0.498	257	407	88	65	58	3/8"-19	20	10
RSC-3050	30	50	44.2	0.221	157	207	107	75	68	3/8"-19	20	9.5
RSC-30100	30	100	44.2	0.442	207	307	107	75	68	3/8"-19	20	12,65
RSC-30150	30	150	44.2	0.663	257	407	107	75	68	3/8"-19	20	15.6
RSC-30200	30	200	44.2	0.884	307	507	107	75	68	3/8"-19	20	18.7
RSC-5050	50	50	70.9	0.3355	163	213	127	95	85	3/8"-19	26	22
RSC-50100	50	100	70.9	0.709	213	313	127	95	85	3/8"-19	26	17.7
RSC-50150	50	150	70.9	1.063	263	413	127	95	85	3/8"-19	26	21.7
RSC-50200	50	200	70.9	1.417	313	513	127	95	85	3/8"-19	26	30
RSC-10050	100	50	132.7	0.664	149	199	177	130	111	3/8"-19	28	
RSC-100100	100	100	132.7	1.327	249	349	177	130	111	3/8"-19	28	34
RSC-100150	100	150	132.7	1.990	277	427	177	130	111	3/8"-19	28	42.5
RSC-100200	100	200	132.7	2.654	327	527	177	130	111	3/8"-19	28	49,35
RSC-15050	150	50	201	1.005	181	231	207	164	144	3/8"-19	31	
RSC-150100	150	100	201	2.010	231	331	207	164	144	3/8"-19	31	
RSC-150150	150	150	201	3.015	281	431	207	164	144	3/8"-19	31	56.9
RSC-150200	150	200	201	4.020	331	531	207	164	144	3/8"-19	31	
RSC-20050	200	50	280.4	1.402	181	231	237	189	169	3/8"-19	31	
RSC-200100	200	100	280.4	2.804	231	331	237	189	169	3/8"-19	31	80
RSC-200150	200	150	280.4	4.206	281	431	237	189	169	3/8"-19	31	
RSC-200200	200	200	280.4	5.608	331	531	237	189	169	3/8"-19	31	

- It has the characteristic of low collapsed height, if the requirement of stroke needs to be higher than RMC series, RC series is suit for this case.
- The surface of principle axis is finished with chrome plate to protect the using of longevity of the product.
- Plunger has the function of retracting automatically WRC rotary head, can work in bevel.



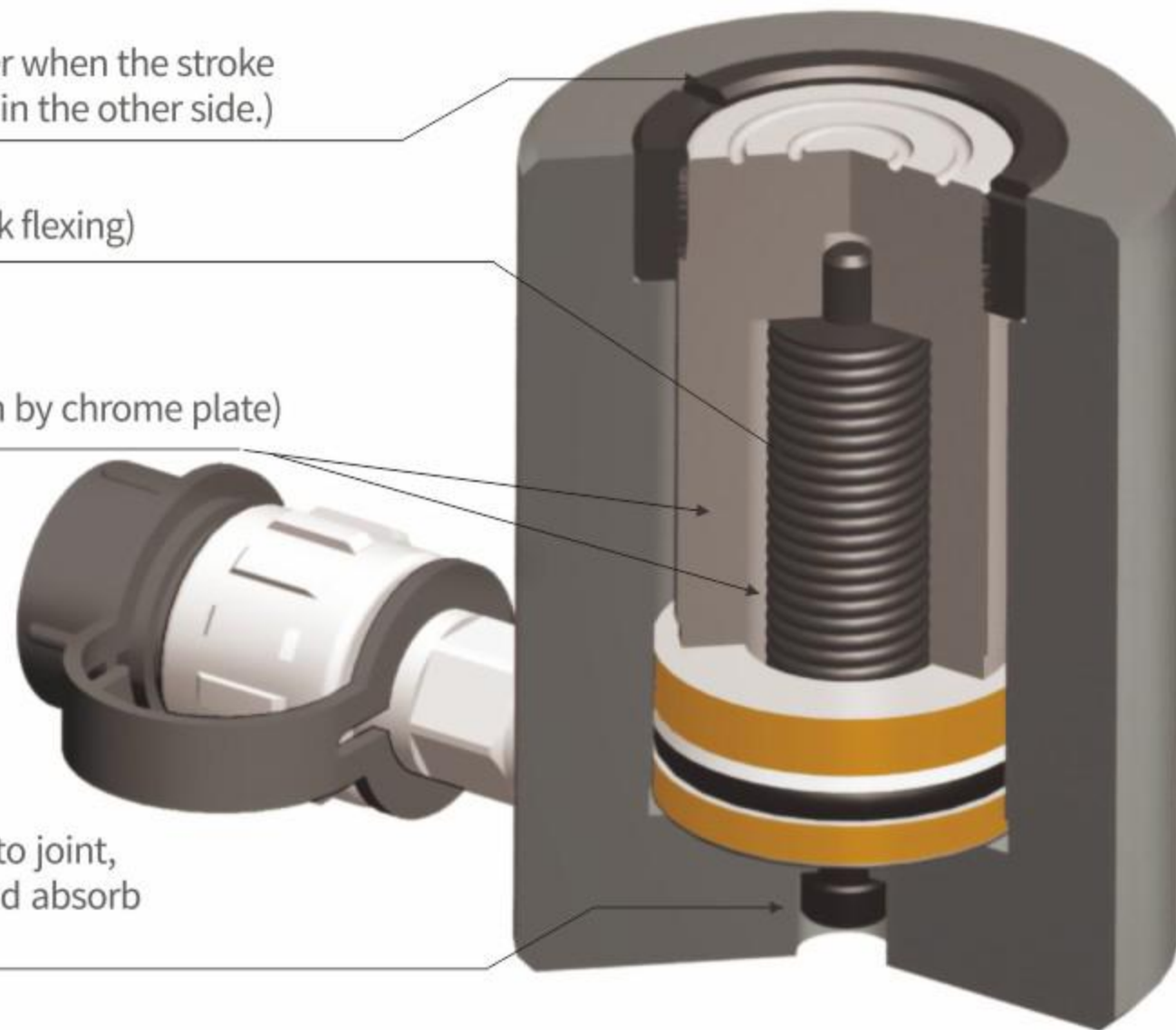
DESCRIPTION OF PARTS

1. Stopping ring (to protect the cylinder when the stroke get to top, absorb heaviness in the other side.)

2. Spring (provide the capability of quick flexing)

3. Cylinder wall and plunger
(they can avoid eroding and less friction by chrome plate)

4. Brass ring (use high quality of brass to joint, to protect the status of overloading and absorb heaviness in the other side.)



TECHNICAL DATA

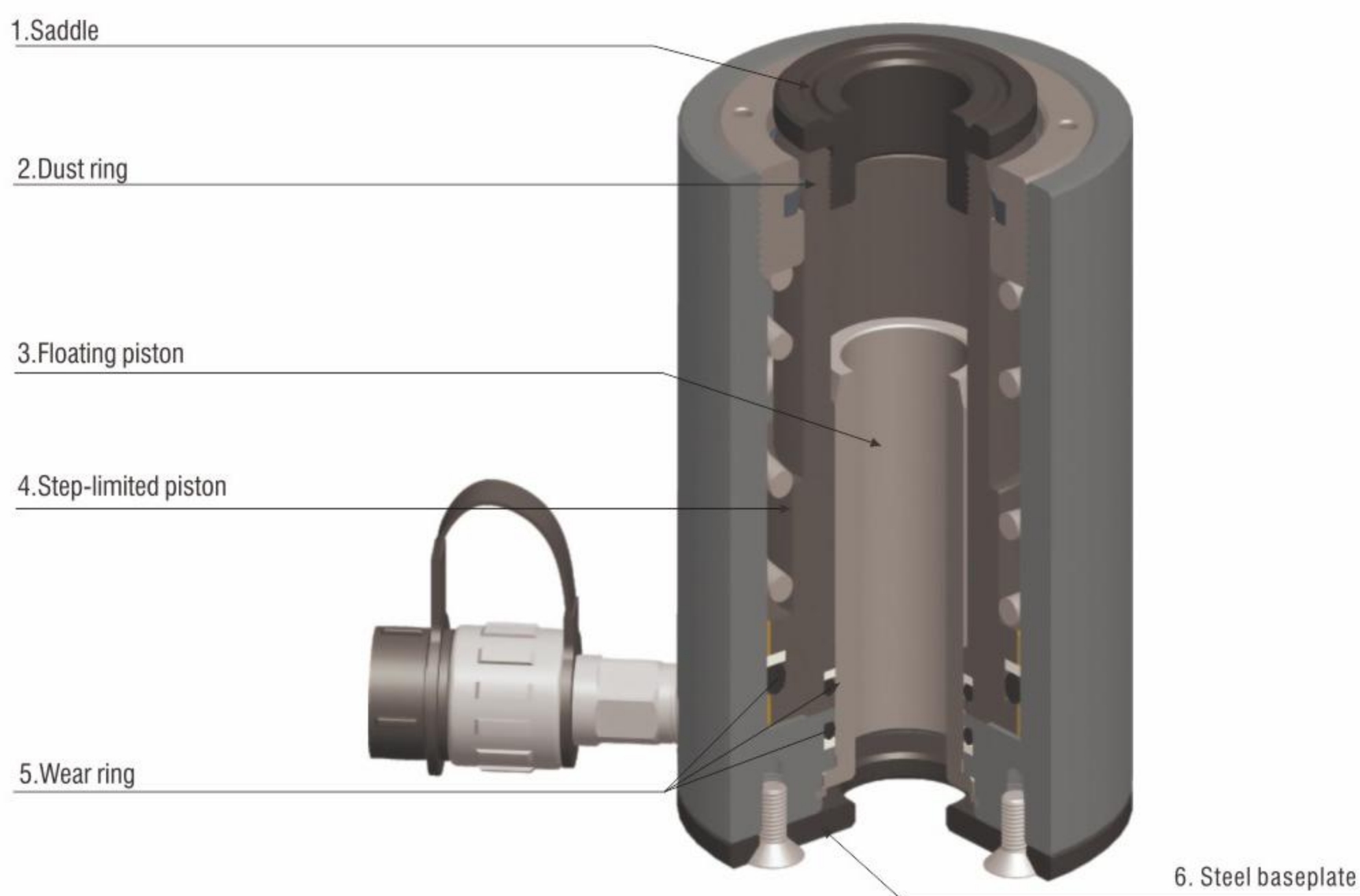
Model No.	Output (t)	Stroke (mm)	Effective area (cm ²)	Oil Capacity (l)	Height of Product (mm)	Extended Height (mm)	Outside Dia (Φmm)	Bore dia (Φmm)	Plunger dia (Φmm)	Thread for Input oil-port (zg)	Saddle Protrusion from Plgr(mm)	Weight (kg)
RC-0550	5	50	4.9	0.0354	121	171	40	30	25	NPT1/4"	1	
RC-1050	10	50	11.3	0.072	96	146	62	45	38	3/8"-19	2	3.3
RC-2050	20	50	22	0.14	98	148	88	65	53	3/8"-19	2	5
RC-3050	30	50	31.1	0.22	104	154	105	75	68	3/8"-19	2	6.6
RC-5050	50	50	56.7	0.354	104	154	128	95	65	3/8"-19	2	9.8
RC-10050	100	50	95	0.66	136	186	175	130	110	3/8"-19	2	24.1
RC-15050	150	50	162.8	1.056	152	202	207	164	144	3/8"-19	2	31.9
RC-20050	200	50	224.2	1.402	156	206	237	189	169	3/8"-19	2	45
WRC-10050	100	50	95	0.66	136	186	175	130	110	3/8"-19	2	24

RCH SERIES, SINGLE ACTING HOLLOW PLUNGER STEEL CYLINDER

- Steel base plate and saddle for protection the hollow piston and cylinder damage and increasing abrasion performance.
- Dust ring stop the dust into cylinder during extension.
- Floating type plunger prevents the block caused by slight unbalance loading of piston.
- Step-limited piston prevents over-travel and is capable of stopping the spring compressed completely.
- Wear ring prevent metal to metal contact, increasing cylinder life and resistance to be scratched.
- High-efficient seal extends cylinder life.
- Handles included on all models.



DESCRIPTION OF PARTS



TECHNICAL DATA

Model No.	Output (t)	Stroke (mm)	Effective Area (cm ²)	Oil Capacity (l)	Height of Product (mm)	Extended Height (mm)	Outside Dia (Φmm)	Bore Dia (Φmm)	Principal Axis dia (Φmm)	Plunger Dia (Φmm)	Oil supply Hole Thread (rc)	Weight (kg)
RCH-2050	20	50	32.8	0.164	166	216	95	75	55	27	3/8"	6.9
RCH-20100	20	100	32.8	0.328	228	266	95	75	55	27	3/8"	9
RCH-20150	20	150	32.8	0.492	290	316	95	75	55	27	3/8"	
RCH-3050	30	50	51.1	0.256	172	238	118	95	70	34	3/8"	10.8
RCH-30100	30	100	51.1	0.512	238	288	118	95	70	34	3/8"	14.5
RCH-30150	30	150	51.1	0.767	208	338	118	95	70	34	3/8"	
RCH-6050	60	50	84.7	0.424	210	261	165	135	100	54	3/8"	17.8
RCH-60100	60	100	84.7	0.848	282	311	165	135	100	54	3/8"	32.4
RCH-60150	60	150	84.7	1.272	357	361	165	135	100	54	3/8"	
RCH-10075	100	75	167.8	1.239	266	330	224	180	140	79	3/8"	
RCH-100150	100	150	167.8	2.478	377	505	224	180	140	79	3/8"	
RCH-100200	100	200	167.8	3.304	451	455	224	180	140	79	3/8"	

Note: All the Spec.rated working pressure is 70Mpa



Manufacturer of high quality hydraulic tools

ZHEJIANG EMEADS TOOLS CO., LTD.

Add: Medicine Packing Industrial Zone, Lupu Town,
Yuhuan Zhejiang(317608), China

Fax: +86-576-80760578

Http:// www.emeads.com

E-mail: sales@emeads.com

EMEADS reserves the copyright, reproduction of the book will be prosecuted. If technological parameters have change, without prior notice. Product appearance, Color in kind prevail, inside are for reference only.