

# EMEADS<sup>®</sup>

ZHEJIANG EMEADS TOOLS CO., LTD

Manufacturer of high quality hydraulic tools



2023 CATALOG

[www.emeads.com](http://www.emeads.com)



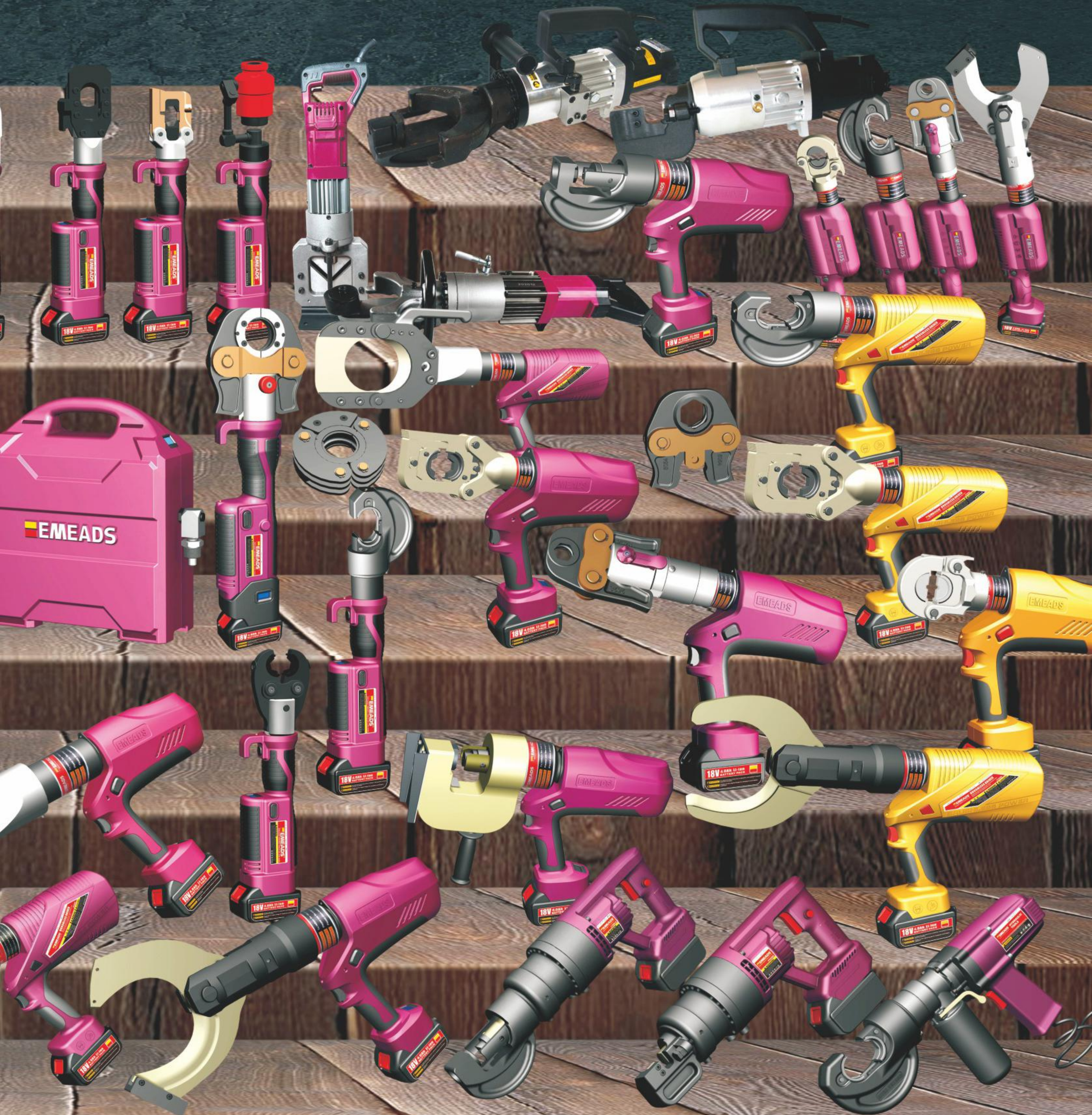
# EMEADS<sup>®</sup>

ZHEJIANG EMEADS TOOLS CO., LTD





ISO9001





# Electric escort



SPECIAL TOOLS FOR POWER  
EMERGENCY REPAIR

**EB- EMEADS630**

PRICE

**¥35800**



# Storms counterparts



SPECIAL TOOLS FOR POWER  
EMERGENCY REPAIR

**GES-EMEADS630**

PRICE

**¥33800**



# ABOUT US

Zhejiang EMEADS Tools Co., Ltd. is a professional manufacturer on electrical tools. We design and manufacture of high quality hydraulic tools. Our unremitting pursuit of excellent quality and strict production management, ensure that each product of the EMEADS tools can stand up to rigorous testing. We are committed to the development of the system innovation application solutions. EMEADS provides high-quality products and services for the electric power, machinery, railway, construction, shipbuilding and other fields.



PRODU  
OF





Zhejiang Riadix Electric co., Ltd. is a high quality hydraulic tool manufacturer integrating production and trade





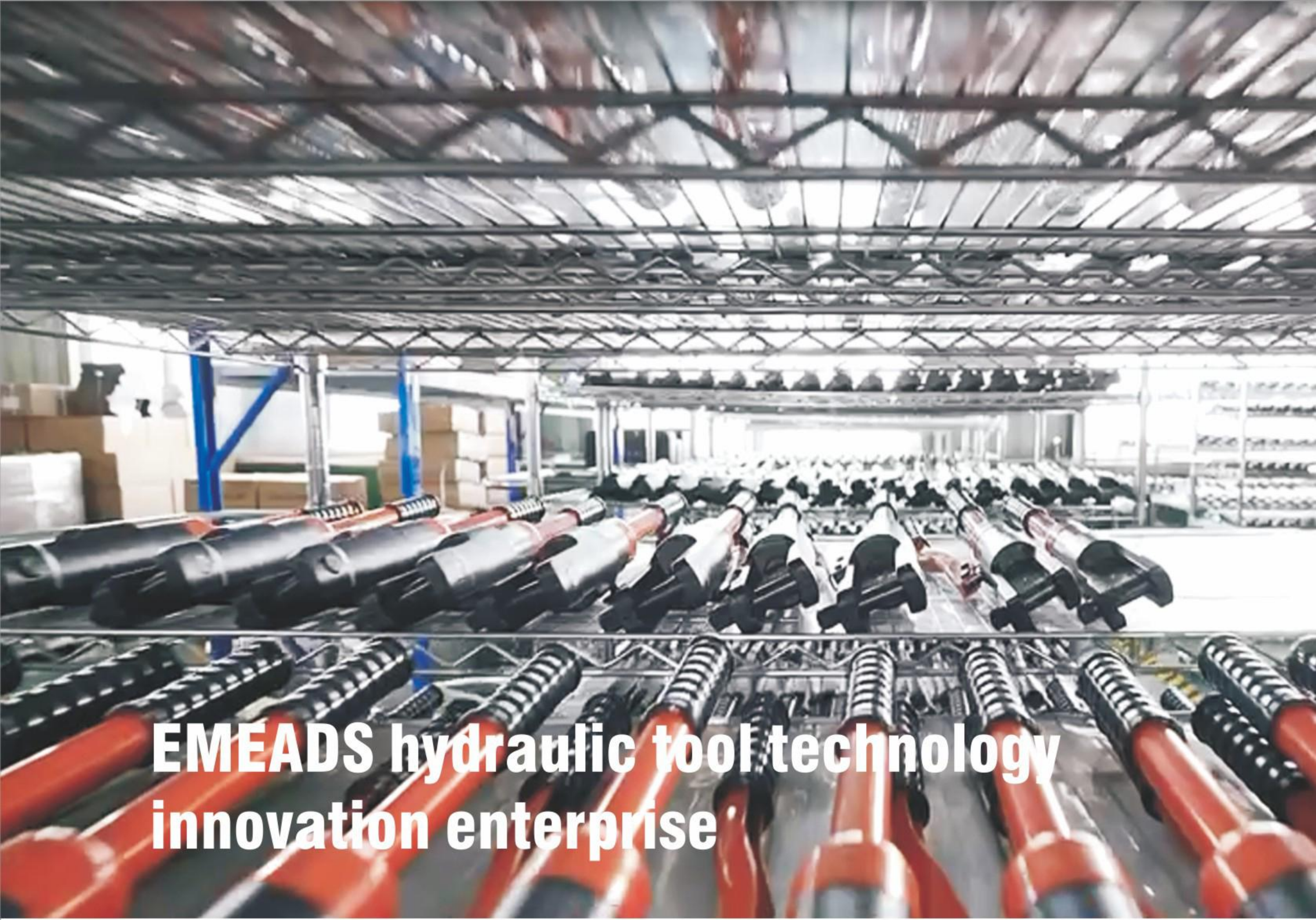
# EQUIPMENT

















# QUALIFICATIONS

## Scientific research and technology patent units

Bearing China's engineering equipment industry important appliance!



# CERTIFICATE

## ATTESTATION CERTIFICATE OF MACHINERY AND ELECTROMAGNETIC COMPATIBILITY DIRECTIVES

Technical file of the company mentioned below has been observed

2006/42/EC Machinery Directive and 2014/30/EU Electromagnetic Compatibility Directive  
have been taken as references for these processes

Company Name : Zhejiang EMEADS Tools Co., Ltd.  
Company Address : Lupu Pharmaceutical Packaging Industrial Park, Yuhuan District, Taizhou City, Zhejiang Province, China  
Related Directives and Annex : 2006/42/EC Machinery Directive  
2014/30/EU Electromagnetic Compatibility Directive  
Related Standards : EN 62841-1:2015; EN 55014-1:2017; EN 55014-2:2015  
EN 61000-3-2:2019; EN 61000-3-3:2013+A1:2019  
Product Name : Lithium electric hydraulic pliers  
Report No and Date : TCF2292A1103598  
Product Brand/Model/Type : EB-400,EB-300,EB-300B,EB-400U,EB-400B,EB-630,EB-40,EB-55,  
EB-65,EB-65C,EB-85,EB-85C,EB-105,EB-105C,EB-120,EB-120C,  
EB-135,EB-135C,EB-1125H,EB-1220H,EB-10,EB-16,EB-20,EB-2432,  
EB-2436,EB-1532,EB-1632,EB-1550,EB-1525,EB-65100,EBS-400,  
EBS-300,EBS-300B,EBS-400U,EBS-400B,EBS-630,EBS-40,EBS-55,  
EBS-65,EBS-65C,EBS-85,EBS-85C,EBS-105,EBS-105C,EBS-120,  
EBS-120C,EBS-135,EBS-135C,EBS-1125H,EBS-1220H,EBS-10,EBS-16,  
EBS-20,EBS-2432,EBS-2436,EBS-1532,EBS-1632,EBS-1550,EBS-1525,  
EBS-65100,ES-300,ES-400B,ES-240,ES-32C,ES-50

Certificate Number : M.2021.206.C68770  
Initial Assessment Date : 04.11.2021  
Registration Date : 05.11.2021  
Reissue Date/No : -  
Expiry Date : 04.11.2026

  
UDEM International Certification  
Auditing Training Centre Industry  
and Trade Inc.Co.

The validity of the certificate can be checked through [www.udemltd.com.tr](http://www.udemltd.com.tr). The CE mark shown on the right can only be used under the responsibility of the manufacturer with the completion of EC Declaration of Conformity for all the relevant Directives. This certificate remains the property of UDEM International Certification Auditing Training Centre Industry and Trade Co. Ltd. to whom it must be returned upon request. The above named firm must keep a copy of this certificate for 15 years from the registration of certificate. This certificate only covers the product(s) stated above and UDEM must be noticed in case of any changes on the product(s)

Address: Mutlukent Mahallesi 2073 Sokak (Eski 93 Sokak) No:10 Çankaya – Ankara – TURKEY  
Phone: +90 0312 443 03 90 Fax: +90 0312 443 03 76  
E-mail: [info@udemltd.com.tr](mailto:info@udemltd.com.tr) [www.udem.com.tr](http://www.udem.com.tr)









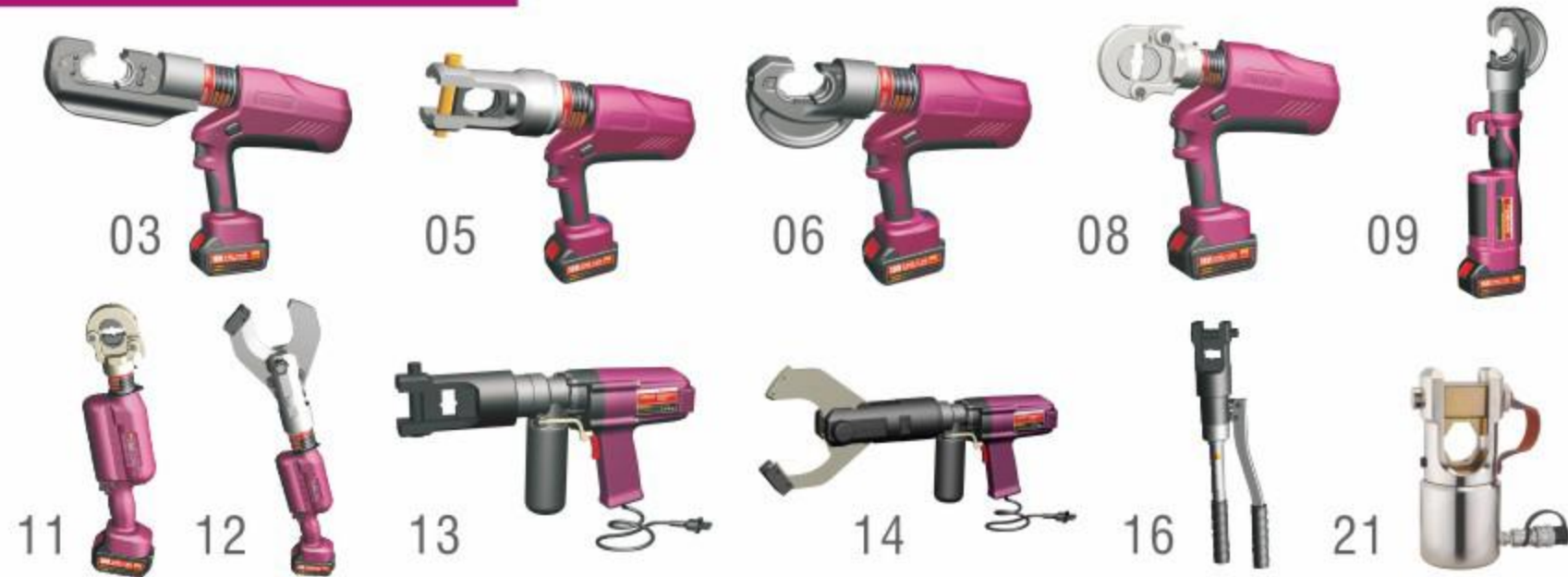
# CONTENTS

POWER TOOLS

## CRIMPING SERIES

01-23

- Charging type crimping tools
- Economical tools
- Plug-in type crimping tools
- Manual crimping tools
- Split-type crimping head



## CUTTER SERIES

24-58

- Charging type cable cutter
- Charging type iron pipe special cutter
- Manual cable cutter
- Split-type cutter head



## MULTI FUNCTIONAL SERIES

59-62

- Charging type multi-functional tool
- Manual type multi-functional tool
- Multifunctional optional clamp head



## PIPE FITTING CLAMPING SERIES

63-118

- Charging type pipe fitting clamping tool
- Split-type pipe fitting clamping tool
- Charging type electric pump
- Economical pipe fitting clamping tool
- Charging type sliding sleeve tightening tool
- Manual sliding tool
- Manual pipe fittings tool
- Structure and size of clamp type pipe fitting socket



PIPE FITTING TOOLS



**FIREFIGHTING TOOLS**

**FIRE RESCUE SERIES 119-145**

- Charging hydraulic cutting machine
- Medium electric hydraulic demolition tool set
- Efficient mobile power version tool set
- Light hydraulic demolition and rescue tool set
- Medium hydraulic demolition and rescue tool set
- Heavy hydraulic demolition and rescue tool set
- Upgraded amphibious kit
- Concrete hydraulic demolition tool set
- Manual demolition rescue tool set
- Demolition cutting saw series
- Other rescue supporting products



**NUT SPLITTER SERIES 146-151**

- Charging type hydraulic nut splitter tool
- Manual type hydraulic nut splitter tool



**PUNCHING SERIES 152-158**

- Charging type hydraulic punching tools series
- Knockout punches
- Manual hydraulic punching tools



**HYDRAULIC PUMP / BUSBAR PROCESSING MACHINE SERIES 159-170**

- Hydraulic pump
- Hydraulic busbar processing machine



**INFRASTRUCTURE SERIES 171-178**

- Charging type punching machine
- Charging type rebar cutter
- Plug-in type rebar cutter
- Plug-in type rebar bender



**GEAR PULLER / STEEL CYLINDER SERIES 179-188**

- Hydraulic gear puller
- Steel cylinder



**SPLITTER MACHINING TOOLS**

**INFRASTRUCTURE TOOLS**



# CRIMPING SERIES





**EMEADS**<sup>®</sup>  
ZHEJIANG EMEADS TOOLS CO., LTD



CONTINUOUS CRIMPING  
EFFICIENT OPERATION



## EMEADS630 CHARGING TYPE HYDRAULIC CRIMPING TOOLS

### EB-EMEADS630



#### TECHNICAL DATA

|                   |   |
|-------------------|---|
| Crimping force:   | 150KN   |
| Stroke:           | 50mm  |
| Crimping times:   | 300times(Cu150mm <sup>2</sup> )<br>( Per saturation voltage)                                      |
| Crimping cycle:   | 6-18s Depend on the size of cable   |
| Voltage/capacity: | 18V/9.0Ah   |
| Charger voltage:  | 100-240VAC  |
| Cutting range:    | Shear conductor, steel core aluminum strand, steel core cable,<br>copper aluminum cable conductor |
| Net weight:       | 8kg   |
| Charging time:    | 4 hours   |
| Package:          | Plastic box   |

#### ACCESSORIES

|                |   |
|----------------|---|
| Crimping dies: | 4,6,10,16,25,35,50,70,95,120,150,185,240,300,400,500,630mm <sup>2</sup> |
| Battery:       | 2pcs  |
| Charger:       | 1pc   |

### GES-EMEADS630



#### TECHNICAL DATA

|                   |   |
|-------------------|---|
| Crimping force:   | 150KN   |
| Stroke:           | 50mm  |
| Crimping times:   | 300times(Cu150mm <sup>2</sup> )<br>(Per saturation voltage)                                       |
| Crimping cycle:   | 6-18s Depend on the size of cable   |
| Charger voltage:  | 100-240VAC  |
| Voltage/capacity: | 18V/9.0Ah   |
| Cutting range:    | Shear conductor, steel core aluminum strand, steel core cable,<br>copper aluminum cable conductor |
| Net weight:       | 7kg   |
| Charging time:    | 4 hours   |
| Package:          | Plastic box   |

#### ACCESSORIES

|                |   |
|----------------|---|
| Crimping dies: | 4,6,10,16,25,35,50,70,95,120,150,185,240,300,400,500,630mm <sup>2</sup> |
| Battery:       | 2pcs  |
| Charger:       | 1pc   |



## FEATURES

EB-EMEADS630 and GES-EMEADS630 have good construction performance, crimping 4-630 square terminals of copper conductors, 6-500 square terminals of aluminum, shearing 240 square meters of steel cored aluminum strands, less than 300 square meters of steel cored cables, single core copper aluminum cables, less than 400 square meters, extra long standby time, waterproof battery packs, waterproof design master control circuits, motors can complete the mission of emergency repair in the storm, with a warranty period of up to five years to escort the power system, Come with wind and rain!

## OPERATION FUNCTION

- Micro computer control system-automatically detect the pressure when it is crimping, with double safety protect.
- The tool equipped with a double piston pump which characterized by a fast approach towards the connecting material and transfer to high pressure automatically by slow crimping.  
If a deviation from the set operation pressure or low battery charges is identified, an acoustic signal sounds and a red display flashes.
- One key control- press the trigger to start working, half loosing the trigger means stop forcing pressure, loosing fully means piston Return to the original position.
- A Temperature sensor makes the tool stop working automatically. When the temperature over 60°C under long time working, the fault signal sounds, it means the tool can't continue work until the temperature reduced to the normal.
- One-key control of continuous use function - Function 1: press the trigger to start working, release the trigger means to stop pressurizing, continue to increase the pressure until the jump pressure piston returns to the initial position. Function 2: Press the trigger to start working, release the trigger means to stop pressurizing, continue to increase the pressure to jump pressure piston back, press the trigger piston back to stop, continue to press the switch machine into a new pressing work. Function 3: press the trigger to start working, loosen the trigger said stop pressure, continue to pressure the pressure rise to jump after pressing back press the trigger to stop back, continue to press the trigger to jump after the pressure not to put the trigger piston automatically stop after back to the last stop bit, can choose any size position twice in the case of not to put the trigger automatically stop location choice.

### Crimping tool DES-630A Crimping requirements

| SERIAL NUMBER | COPPER TERMINAL MODEL | TOTAL LENGTH (mm) | STRIP LENGTH (mm) | STRIPPING LENGTH DEVIATION (mm) | CRIMPING DIE | CRIMPING TIMES | CRIMP WIDTH (mm) | MAXIMUM CRIMPING HEIGHT N (mm) |
|---------------|-----------------------|-------------------|-------------------|---------------------------------|--------------|----------------|------------------|--------------------------------|
| 1             | DT16-6                | 55                | 31                | +3, +5                          | CU16         | 2              | 12               | 7.6±0.38                       |
| 2             | DT25-6                | 60                | 34                | +3, +5                          | CU25         | 2              | 12               | 8.5±0.425                      |
| 3             | DT35-10               | 66                | 36                | +3, +5                          | CU35         | 2              | 12               | 10.2±0.51                      |
| 4             | DT50-10               | 72                | 40                | +3, +5                          | CU50         | 2              | 12               | 11.8±0.59                      |
| 5             | DT70-12               | 80                | 42                | +3, +5                          | CU70         | 2              | 12               | 13.2±0.66                      |
| 6             | DT95-12               | 87                | 46                | +3, +5                          | CU95         | 2              | 12               | 15.5±0.775                     |
| 7             | DT120-14              | 96                | 48                | +3, +5                          | CU120        | 2              | 12               | 16.7±0.835                     |
| 8             | DT150-14              | 103               | 52                | +3, +5                          | CU150        | 3              | 12               | 19±0.95                        |
| 9             | DT185-16              | 115               | 55                | +3, +5                          | CU185        | 3              | 12               | 21.5±1.075                     |
| 10            | DT240-16              | 120               | 60                | +3, +5                          | CU240        | 3              | 12               | 23.2±1.16                      |
| 11            | DT300-16              | 135               | 65                | +3, +5                          | CU300        | 3              | 12               | 26.7±1.335                     |
| 12            | DT400-16              | 150               | 70                | +3, +5                          | CU400        | 3              | 12               | 29.3±1.465                     |

**Note:** The optional models include EBS, EB, DES and DE



## 630 CHARGING TYPE HYDRAULIC CRIMPING TOOLS

### EBS-630



With continuous function

### EB-630



Regular function

### DES-630 (Brushless drive)



With continuous function

### DE-630 (Brushless drive)



Regular function

#### TECHNICAL DATA

|                   |  |
|-------------------|--|
| Crimping force:   | 200KN  |
| Stroke:           | 20mm   |
| Crimping times:   | 120times (Cu150mm <sup>2</sup> )<br>(Per saturation voltage) |
| Crimping cycle:   | 6-18s Depend on the size of cable                            |
| Charger voltage:  | 100-240VAC   |
| Voltage/capacity: | 18V/4.0Ah  |
| Net weight:       | 7kg  |
| Charging time:    | 2 hours  |
| Package:          | Plastic box  |

#### ACCESSORIES

|                |   |
|----------------|---|
| Crimping dies: | 25,35,50,70,95,120,150,185,240,300,400,500,630mm <sup>2</sup> |
| Battery:       | 2pcs  |
| Charger:       | 1pc   |





**400B CHARGING TYPE HYDRAULIC CRIMPING TOOLS**

**EBS-400B**



With continuous function

**EB-400B**



Regular function

**DES-400B** (Brushless drive)



With continuous function

**DE-400B** (Brushless drive)



Regular function

| TECHNICAL DATA    |   |
|-------------------|---|
| Crimping force:   | 120KN   |
| Stroke:           | 35mm  |
| Crimping times:   | 120times (Cu150mm <sup>2</sup> )<br>(Per saturation voltage)    |
| Crimping cycle:   | 6-18s Depend on the size of cable                               |
| Cut function:     | Single-core copper aluminum cable400mm <sup>2</sup>             |
| Charger voltage:  | 100-240VAC  |
| Voltage/capacity: | 18V/4.0Ah   |
| Net weight:       | 6.2kg   |
| Charging time:    | 2 hours   |
| Package:          | Plastic box   |
| ACCESSORIES       |   |
| Crimping dies:    | 4,6,10,16,25,35,50,70,95,120,150,185,240,300,400mm <sup>2</sup> |
| Battery:          | 2pcs  |
| Charger:          | 1pc   |



CHARGING TYPE HYDRAULIC CRIMPING TOOLS



## 400 CHARGING TYPE HYDRAULIC CRIMPING TOOLS

### EBS-400



With continuous function

### EB-400



Regular function

### DES-400 (Brush-free drive)



With continuous function

### DE-400 (Brush-free drive)



Regular function

#### TECHNICAL DATA

|                   |  |
|-------------------|--|
| Crimping force:   | 120KN  |
| Stroke:           | 42mm   |
| Crimping times:   | 120times (Cu150mm <sup>2</sup> )<br>(Per saturation voltage) |
| Crimping cycle:   | 6-18s Depend on the size of cable                            |
| Cut function:     | Single-core copper aluminum cable400mm <sup>2</sup>          |
| Charger voltage:  | 100-240VAC   |
| Voltage/capacity: | 18V/4.0Ah  |
| Net weight:       | 7.5kg  |
| Charging time:    | 2 hours  |
| Package:          | Plastic box  |

#### ACCESSORIES

|                |   |
|----------------|---|
| Crimping dies: | 4, 6, 10, 16, 25, 35, 50, 70, 95, 120, 150, 185, 240, 300, 400mm <sup>2</sup> |
| Battery:       | 2pcs  |
| Charger:       | 1pc   |





## 300 CHARGING TYPE HYDRAULIC CRIMPING TOOLS

### EBS-300



### EB-300



### DES-300 (Brush-free drive)



### DE-300 (Brush-free drive)



#### TECHNICAL DATA

|                   |   |
|-------------------|---|
| Crimping force:   | 60KN  |
| Stroke:           | 17mm  |
| Crimping times:   | 120times(Cu150mm <sup>2</sup> )<br>(Per saturation voltage) |
| Crimping cycle:   | 6-18s Depend on the size of cable                           |
| Charger voltage:  | 100-240VAC  |
| Voltage/capacity: | 18V/4.0Ah   |
| Net weight:       | 6.4kg   |
| Charging time:    | 2 hours   |
| Package:          | Plastic box   |

#### ACCESSORIES

|                |   |
|----------------|---|
| Crimping dies: | 4,6,10,16,25,35,50,70,95,120,150,185,240,300mm <sup>2</sup> |
| Battery:       | 2pcs  |
| Charger:       | 1pc   |





## MINI CHARGING TYPE HYDRAULIC CRIMPING TOOLS

### GES-400B / GE-400B (With continuous crimping function) (Optional with or without brush)

| TECHNICAL DATA    | GES-400B / GE-400B  |
|-------------------|---|
| Crimping force:   | 120KN   |
| Stroke:           | 35mm  |
| Crimping times:   | 120times(Cu150mm <sup>2</sup> )<br>(Per saturation voltage)     |
| Crimping cycle:   | 7-10s Depend on the size of cable                               |
| Cut function:     | Single-core copper aluminum cable 400mm <sup>2</sup>            |
| Voltage/capacity: | 18V/4.0Ah   |
| Net weight:       | 3.5kg   |
| Charging time:    | 2 hours   |
| Package:          | Plastic box   |
| ACCESSORIES       |   |
| Crimping dies:    | 4,6,10,16,25,35,50,70,95,120,150,185,240,300,400mm <sup>2</sup> |
| Battery:          | 2pcs  |
| Charger:          | 1pc   |



### GES-300 / GE-300 (Optional regular or continuous crimping function) (Optional with or without brush)

| TECHNICAL DATA    | GES-300 / GE-300  |
|-------------------|---|
| Crimping force:   | 60KN  |
| Stroke:           | 17mm  |
| Crimping times:   | 300times(Cu150mm <sup>2</sup> )<br>(Per saturation voltage) |
| Crimping cycle:   | 5-8s Depend on the size of cable                            |
| Voltage/capacity: | 18V/4.0Ah   |
| Net weight:       | 3.5kg   |
| Charging time:    | 2 hours   |
| Package:          | Plastic box   |
| ACCESSORIES       |   |
| Crimping dies:    | 4,6,10,16,25,35,50,70,95,120,150,185,240,300mm <sup>2</sup> |
| Battery:          | 2pcs  |
| Charger:          | 1pc   |



### GES-240 (Optional with or without brush)

| TECHNICAL DATA    | GES-240  |
|-------------------|--|
| Crimping force:   | 60KN   |
| Stroke:           | 16mm   |
| Crimping times:   | 170times(Cu150mm <sup>2</sup> )<br>(Per saturation voltage)                      |
| Crimping cycle:   | 3-6s Depend on the size of cable   |
| Cut function:     | Shearing steel core conductor 20mm<br>Copper aluminum conductor 240 <sup>2</sup> |
| Voltage/capacity: | 18V/4.0Ah  |
| Net weight:       | 3.1kg  |
| Charging time:    | 2 hours  |
| Package:          | Plastic box  |
| ACCESSORIES       |  |
| Crimping dies:    | 10,16,25,35,50,70,95,120,150,185,240mm <sup>2</sup>                              |
| Battery:          | 2pcs   |
| Charger:          | 1pc  |





## GES-300C / GE-300C

| TECHNICAL DATA    | GES-300C / GE-300C   |
|-------------------|--|
| Crimping force:   | 60KN   |
| Stroke:           | 17mm   |
| Crimping times:   | 170times(Cu150mm <sup>2</sup> )<br>(Per saturation voltage)              |
| Crimping items    | SC、UT、OT、SV、GT terminal  |
| Crimping cycle:   | 3-6s Depend on the size of cable   |
| Voltage/capacity: | 18V/4.0Ah  |
| Net weight:       | 3.5kg  |
| Charging time:    | 2 hours  |
| Package:          | Plastic box  |
| ACCESSORIES       |  |
| Crimping dies:    | 16,25,35,50,70,95,120,150,185,240mm <sup>2</sup> (Cut cables below 25mm) |
| Battery:          | 2pcs   |
| Charger:          | 1pc  |



## GES-300C-2 / GE-300C-2 (Crimping+shearing multi-function)

| TECHNICAL DATA    | GES-300C-2 / GE-300C-2                        |
|-------------------|---|
| Cutting force:    | 60KN  |
| Stroke:           | 17mm  |
| Cutting times:    | 130times (Per saturation voltage)             |
| Cutting range:    | Φ30mm <sub>max</sub> Armoured and Cu/Al cable |
| Crimping range:   | 4-300mm <sup>2</sup>                          |
| Voltage/capacity: | 18V/4.0Ah                                     |
| Net weight:       | 3.0kg   |
| Charging time:    | 2 hours                                       |
| Package:          | Plastic box                                   |
| ACCESSORIES       |   |
| Battery:          | 2pcs  |
| Charger:          | 1pc   |



## GES-300B / GES-30J

| TECHNICAL DATA    | GES-300B  | GES-30J   |
|-------------------|---|---|
| Crimping force:   | 60KN  | 50KN  |
| Stroke:           | 17mm  | 33mm  |
| Crimping times:   | 300times(Cu150mm <sup>2</sup> )<br>(Per saturation voltage)     | 170times(Cu150mm <sup>2</sup> )<br>(Per saturation voltage) |
| Crimping cycle:   | 5-8s Depend on the size of cable                                | 3-6s Depend on the size of cable                            |
| Voltage/capacity: | 18V/4.0Ah   | 18V/4.0Ah   |
| Net weight:       | 4kg   | 4kg   |
| Charging time:    | 2 hours   | 2 hours   |
| Package:          | Plastic box   | Plastic box   |
| ACCESSORIES       |   |   |
| Crimping dies:    | 4,6,10,16,25,35,50,70,95,<br>120,150,185,240,300mm <sup>2</sup> | 16 pairs as standard  |
| Battery:          | 2pcs  | 2pcs  |
| Charger:          | 1pc   | 1pc   |





**CHARGING TYPE ECONOMICAL HYDRAULIC TOOLS**

**EA-300** Economical hydraulic crimping tool



| TECHNICAL DATA    |   |
|-------------------|---|
| Crimping force:   | 60KN  |
| Stroke:           | 17mm  |
| Crimping times:   | 120times(Cu150mm <sup>2</sup> )<br>(Per saturation voltage) |
| Crimping cycle:   | 6-18s Depend on the size of cable                           |
| Charger voltage:  | 100-240VAC  |
| Voltage/capacity: | 18V/4.0Ah   |
| Net weight:       | 4.5kg   |
| Charging time:    | 2 hours   |
| Package:          | Plastic box   |
| ACCESSORIES       |   |
| Crimping dies:    | 16,25,35,50,70,95,120,150,185,240,300mm <sup>2</sup>        |
| Battery:          | 2pcs  |
| Charger:          | 1pc   |

**EA-300H** Economical hydraulic crimping tool



| TECHNICAL DATA    |   |
|-------------------|---|
| Crimping force:   | 60KN  |
| Stroke:           | 17mm  |
| Crimping times:   | 120times(Cu150mm <sup>2</sup> )<br>(Per saturation voltage) |
| Crimping cycle:   | 6-18s Depend on the size of cable                           |
| Charger voltage:  | 100-240VAC  |
| Voltage/capacity: | 18V/4.0Ah   |
| Net weight:       | 4.5kg   |
| Charging time:    | 2 hours   |
| Package:          | Plastic box   |
| ACCESSORIES       |   |
| Crimping dies:    | 10,16,25,35,50,70,95,120,150,185,240,300mm <sup>2</sup>     |
| Battery:          | 2pcs  |
| Charger:          | 1pc   |

**EA-300B** Economical hydraulic crimping tool



| TECHNICAL DATA    |   |
|-------------------|---|
| Crimping force:   | 60KN  |
| Stroke:           | 33mm  |
| Crimping times:   | 120times(Cu150mm <sup>2</sup> )<br>(Per saturation voltage) |
| Crimping cycle:   | 6-18s Depend on the size of cable                           |
| Charger voltage:  | 100-240VAC  |
| Voltage/capacity: | 18V/4.0Ah   |
| Net weight:       | 4.5kg   |
| Charging time:    | 2 hours   |
| Package:          | Plastic box   |
| ACCESSORIES       |   |
| Crimping dies:    | 16,25,35,50,70,95,120,150,185,240,300mm <sup>2</sup>        |
| Battery:          | 2pcs  |
| Charger:          | 1pc   |

**EA-400B** Economical hydraulic crimping tool



| TECHNICAL DATA    |   |
|-------------------|---|
| Crimping force:   | 120KN   |
| Stroke:           | 35mm  |
| Crimping times:   | 120times(Cu150mm <sup>2</sup> )<br>(Per saturation voltage) |
| Crimping cycle:   | 6-18s Depend on the size of cable                           |
| Charger voltage:  | 100-240VAC  |
| Voltage/capacity: | 18V/4.0Ah   |
| Net weight:       | 7kg   |
| Charging time:    | 2 hours   |
| Package:          | Plastic box   |
| ACCESSORIES       |   |
| Crimping dies:    | 16,25,35,50,70,95,120,150,185,240,300,400mm <sup>2</sup>    |
| Battery:          | 2pcs  |
| Charger:          | 1pc   |



## CHARGING TYPE ECONOMICAL HYDRAULIC TOOLS

### EA-85C Economical hydraulic cutter

#### TECHNICAL DATA

|                   |   |
|-------------------|---|
| Cutting force:    | 120KN   |
| Stroke:           | 42mm  |
| Cutting times:    | 70times (Per saturation voltage)              |
| Cutting range:    | Φ70mm <sub>max</sub> Armoured and Cu/Al cable |
| Charger voltage:  | 100-240VAC                                    |
| Voltage/capacity: | 18V/4.0Ah                                     |
| Net weight:       | 4.5kg   |
| Charging time:    | 2 hours                                       |
| Package:          | Plastic box                                   |

#### ACCESSORIES

|          |      |
|----------|------|
| Battery: | 2pcs |
| Charger: | 1pc  |



### EA-105C Economical hydraulic cutter

#### TECHNICAL DATA

|                   |   |
|-------------------|---|
| Cutting force:    | 150KN   |
| Stroke:           | 62mm  |
| Cutting times:    | 70times (Per saturation voltage)              |
| Cutting range:    | Φ85mm <sub>max</sub> Armoured and Cu/Al cable |
| Charger voltage:  | 100-240VAC                                    |
| Voltage/capacity: | 18V/4.0Ah                                     |
| Net weight:       | 15kg/10-12kg                                  |
| Charging time:    | 2 hours                                       |
| Package:          | Plastic box                                   |

#### ACCESSORIES

|          |      |
|----------|------|
| Battery: | 2pcs |
| Charger: | 1pc  |



### EA-120C Economical hydraulic cutter

#### TECHNICAL DATA

|                   |  |
|-------------------|--|
| Cutting force:    | 150KN  |
| Stroke:           | 62mm   |
| Cutting times:    | 70times (Per saturation voltage)               |
| Cutting range:    | Φ100mm <sub>max</sub> Armoured and Cu/Al cable |
| Charger voltage:  | 100-240VAC                                     |
| Voltage/capacity: | 18V/4.0Ah                                      |
| Net weight:       | 19kg/9kg                                       |
| Charging time:    | 2 hours  |
| Package:          | Plastic box                                    |

#### ACCESSORIES

|          |      |
|----------|------|
| Battery: | 2pcs |
| Charger: | 1pc  |





## PLUG-IN TYPE HYDRAULIC TOOLS

### EC-240H Plug-in hydraulic crimping tool

| TECHNICAL DATA  | EC-240H   |
|-----------------|---|
| Crimping force: | 80KN  |
| Stroke:         | 17mm  |
| Crimping times: | 120times(Cu150mm <sup>2</sup> )<br>(Per saturation voltage) |
| Crimping cycle: | 6-18s Depend on the size of cable                           |
| Voltage:        | 220V  |
| Net weight:     | 6kg   |
| Package:        | Plastic box   |
| ACCESSORIES     |   |
| Crimping dies:  | 16,25,35,50,70,95,120,150,185,240mm <sup>2</sup>            |
| Carbon brush:   | 1pcs  |



### EC-300 Plug-in hydraulic crimping tool

| TECHNICAL DATA  | EC-300  |
|-----------------|---|
| Crimping force: | 60KN  |
| Stroke:         | 17mm  |
| Crimping times: | 120times(Cu150mm <sup>2</sup> )<br>(Per saturation voltage) |
| Crimping cycle: | 6-18s Depend on the size of cable                           |
| Voltage:        | 220V  |
| Net weight:     | 6.5kg   |
| Package:        | Plastic box   |
| ACCESSORIES     |   |
| Crimping dies:  | 16,25,35,50,70,95,120,150,185,240,300mm <sup>2</sup>        |
| Carbon brush:   | 1pcs  |



### EC-300B EC-400B Plug-in hydraulic crimping tool

| TECHNICAL DATA  | EC-300B  | EC-400B   |
|-----------------|--|---|
| Crimping force: | 60KN   | 120KN   |
| Stroke:         | 33mm   | 35mm  |
| Crimping times: | 120times(Cu150mm <sup>2</sup> )<br>(Per saturation voltage)  | 120times(Cu150mm <sup>2</sup> )<br>(Per saturation voltage) |
| Crimping cycle: | 6-18s Depend on the size of cable  | 6-18s Depend on the size of cable                           |
| Cut function:   |  | Single-core copper aluminum cable400 mm <sup>2</sup>        |
| Voltage:        | 220V   | 220V  |
| Net weight:     | 6.5kg  | 7kg   |
| Package:        | Plastic box  | Plastic box   |
| ACCESSORIES     |  |   |
| Crimping dies:  | <b>EC-300B:</b> 4,6,10,16,25,35,50,70,95,120,150,185,240,300mm <sup>2</sup><br><b>EC-400B:</b> 4,6,10,16,25,35,50,70,95,120,150,185,240,300,400mm <sup>2</sup> |   |
| Carbon brush:   | 1pcs   | 1pcs  |





## PLUG-IN TYPE HYDRAULIC TOOLS

### EC-85C Plug-in hydraulic cutter

| TECHNICAL DATA | EC-85C  |
|----------------|---|
| Cutting force: | 120KN   |
| Stroke:        | 42mm  |
| Cutting range: | Φ70mm <sub>max</sub> Armoured and Cu/Al cable |
| Voltage:       | 220V  |
| Net weight:    | 6.0kg   |
| Package:       | Plastic box                                   |



### EC-105C Plug-in hydraulic cutter

| TECHNICAL DATA           | EC-105C                                       |
|--------------------------|---|
| Cutting force:           | 150KN   |
| Stroke:                  | 62mm  |
| Cutting range:           | Φ85mm <sub>max</sub> Armoured and Cu/Al cable |
| Voltage:                 | 220V  |
| Gross weight/Net weight: | 15g/10-12kg                                   |
| Package:                 | Plastic box                                   |



### EC-120C Plug-in hydraulic cutter

| TECHNICAL DATA           | EC-120C  |
|--------------------------|--|
| Cutting force:           | 150KN  |
| Stroke:                  | 62mm   |
| Cutting range:           | Φ100mm <sub>max</sub> Armoured and Cu/Al cable |
| Voltage:                 | 220V   |
| Gross weight/Net weight: | 19kg/9kg                                       |
| Package:                 | Plastic box                                    |





## EP-410 Manual hydraulic crimping tool

| TECHNICAL DATA  | EP-410                  |
|---|-------------------------|
| Crimping force:   | 116KN                   |
| Crimping range:   | Cu50-400mm <sup>2</sup> |
| Stroke:   | 30mm                    |
| Oil capacity:   | 145cc                   |
| Weight:   | 6.4kg                   |
| Package:  | plastic box             |
| Weight of box:  | 1.7kg                   |
| <b>ACCESSORIES:</b>   |                         |
| Crimping dies: 50, 70, 95, 120, 150, 185, 240, 300,400mm <sup>2</sup> |                         |



## EP-430 Manual hydraulic crimping tool

| TECHNICAL DATA  | EP-430                  |
|---|-------------------------|
| Crimping force:   | 116KN                   |
| Crimping range:   | Cu50-400mm <sup>2</sup> |
| Stroke:   | 30mm                    |
| Oil capacity:   | 145cc                   |
| Weight:   | 7.0kg                   |
| Package:  | plastic box             |
| Weight of box:  | 1.7kg                   |
| <b>ACCESSORIES:</b>   |                         |
| Crimping dies: 50, 70, 95, 120, 150, 185, 240, 300,400mm <sup>2</sup> |                         |



## EP-510 Manual hydraulic crimping tool

| TECHNICAL DATA  | EP-510                  |
|---|-------------------------|
| Crimping force:   | 126KN                   |
| Crimping range:   | Cu50-400mm <sup>2</sup> |
| Stroke:   | 42mm                    |
| Oil capacity:   | 145cc                   |
| Weight:   | 7.4kg                   |
| Package:  | plastic box             |
| Weight of box:  | 1.7kg                   |
| <b>ACCESSORIES:</b>   |                         |
| Crimping dies: 50, 70, 95, 120, 150, 185, 240, 300,400mm <sup>2</sup> |                         |



### FEATURES:

- Design to accommodate hexagonal dies for applying compression lugs to copper, aluminum conductors.
- Two stage pumping action for rapid ram advance to the connector hold position with minimum pumping action.
- Manual retraction when the max pressure reached by twisting the handle.
- The glass fiber operation insulates the stick, can bear the electric voltage 200KV, keeping on the minute.
- 180° rotatable head.
- The pressure outside the body adjusts to press the valve, don't need the whole structure to lie down.



## YQK-120 Manual hydraulic crimping tool

| TECHNICAL DATA   | YQK-120                 |
|--|-------------------------|
| Crimping force:  | 60KN                    |
| Crimping range:  | Cu10-120mm <sup>2</sup> |
| Crimping type:   | hexagon crimping        |
| Stroke:  | 13mm                    |
| Length:  | 415mm                   |
| Weight:  | 2.8kg                   |
| Package:   | plastic box             |
| Weight of box:   | 0.9kg                   |
| <b>ACCESSORIES:</b>                                    |                         |
| Crimping dies: 10,16,25,35,50,70,95,120mm <sup>2</sup> |                         |



## YQK-240 Manual hydraulic crimping tool

| TECHNICAL DATA  | YQK-240                 |
|---|-------------------------|
| Crimping force:   | 70KN                    |
| Crimping range:   | Cu16-240mm <sup>2</sup> |
| Crimping type:  | hexagon crimping        |
| Stroke:   | 18mm                    |
| Length:   | 475mm                   |
| Weight:   | 3.6kg                   |
| Package:  | plastic box             |
| Weight of box:  | 1.8kg                   |
| <b>ACCESSORIES:</b>   |                         |
| Crimping dies: 16,25,35,50,70,95,120,150,185,240mm <sup>2</sup> |                         |



## YQK-300 Manual hydraulic crimping tool

| TECHNICAL DATA   | YQK-300                 |
|--|-------------------------|
| Crimping force:  | 70KN                    |
| Crimping range:  | Cu10-300mm <sup>2</sup> |
| Crimping type:   | hexagon crimping        |
| Stroke:  | 18mm                    |
| Length:  | 475mm                   |
| Weight:  | 3.6kg                   |
| Package:   | plastic box             |
| Weight of box:   | 1.8kg                   |
| <b>ACCESSORIES:</b>  |                         |
| Crimping dies: 10,16,25,35,50,70,95,120,150,185,240,300mm <sup>2</sup> |                         |



### FEATURES:

- Hydraulic crimping tool is a professional tool for crimping copper and aluminum lugs with different types, a wide range of crimping dies from 4mm<sup>2</sup> to 1000mm<sup>2</sup> to suit for different size demand. The main crimping shape is hexagonal, special shape design is provided.



## YQK-70 Manual hydraulic crimping tool

| TECHNICAL DATA  | YQK-70                |
|---|-----------------------|
| Crimping force:                                       | 45KN                  |
| Crimping range:                                       | Cu4-70mm <sup>2</sup> |
| Crimping type:  | hexagon crimping      |
| Stroke:   | 11mm                  |
| Length:   | 310mm                 |
| Weight:   | 1.8kg                 |
| Package:  | plastic box           |
| Weight of box:  | 1.1kg                 |
| <b>ACCESSORIES:</b>                                   |                       |
| Crimping dies: 4,6,8,10,16,25,35,50,70mm <sup>2</sup> |                       |



## YQK-120C Manual hydraulic crimping tool

| TECHNICAL DATA   | YQK-120C                |
|--|-------------------------|
| Crimping force:  | 60KN                    |
| Crimping range:  | Cu10-120mm <sup>2</sup> |
| Crimping type:   | hexagon crimping        |
| Stroke:  | 13mm                    |
| Length:  | 415mm                   |
| Weight:  | 3.2kg                   |
| Package:   | plastic box             |
| Weight of box:   | 0.9kg                   |
| <b>ACCESSORIES:</b>                                    |                         |
| Crimping dies: 10,16,25,35,50,70,95,120mm <sup>2</sup> |                         |



## HK-300 Manual hydraulic crimping tool

| TECHNICAL DATA  | HK-300                  |
|---|-------------------------|
| Crimping force:   | 100KN                   |
| Crimping range:   | Cu16-300mm <sup>2</sup> |
| Crimping type:  | hexagon crimping        |
| Stroke:   | 22mm                    |
| Length:   | 490mm                   |
| Weight:   | 4.6kg                   |
| Package:  | plastic box             |
| Weight of box:  | 1.4kg                   |
| <b>ACCESSORIES:</b>   |                         |
| Crimping dies: 16,25,35,50,70,95,120,150,185,240,300mm <sup>2</sup> |                         |



With safety system inside

### FEATURES:

- Hydraulic crimping tool is a professional tool for crimping copper and aluminum lugs with different types, a wide range of crimping dies from 4mm<sup>2</sup> to 1000mm<sup>2</sup> to suit for different size demand. The main crimping shape is hexagonal, special shape design is provided.



## KYQ-300B

| TECHNICAL DATA  | KYQ-300B                |
|---|-------------------------|
| Crimping force:   | 100KN                   |
| Crimping range:   | Cu16-300mm <sup>2</sup> |
| Crimping type:  | hexagon crimping        |
| Stroke:   | 20mm                    |
| Length:   | 500mm                   |
| Weight:   | 4.4kg                   |
| Package:  | plastic box             |
| Weight of box:  | 1.4kg                   |
| <b>ACCESSORIES:</b>   |                         |
| Crimping dies: 16,25,35,50,70,95,120,150,185,240,300mm <sup>2</sup> |                         |



With safety system inside

## KYQ-300C

| TECHNICAL DATA  | KYQ-300C                |
|---|-------------------------|
| Crimping force:   | 100KN                   |
| Crimping range:   | Cu16-300mm <sup>2</sup> |
| Crimping type:  | hexagon crimping        |
| Stroke:   | 18mm                    |
| Length:   | 500mm                   |
| Weight:   | 4.5kg                   |
| Package:  | plastic box             |
| Weight of box:  | 1.4kg                   |
| <b>ACCESSORIES:</b>   |                         |
| Crimping dies: 16,25,35,50,70,95,120,150,185,240,300mm <sup>2</sup> |                         |



With safety system inside

## KYQ-400

| TECHNICAL DATA   | KYQ-400                 |
|--|-------------------------|
| Crimping force:  | 105KN                   |
| Crimping range:  | Cu50-400mm <sup>2</sup> |
| Crimping type:   | hexagon crimping        |
| Stroke:  | 32mm                    |
| Length:  | 530mm                   |
| Weight:  | 6.2kg                   |
| Package:   | plastic box             |
| Weight of box:   | 1.4kg                   |
| <b>ACCESSORIES:</b>  |                         |
| Crimping dies: 50,70,95,120,150,185,240,300,400mm <sup>2</sup> |                         |



### FEATURES:

- Hydraulic crimping tool is a professional tool for crimping copper and aluminum lugs with different types, a wide range of crimping dies from 4mm<sup>2</sup> to 1000mm<sup>2</sup> to suit for different size demand. The main crimping shape is hexagonal, special shape design is provided.



## HT-300

With safety system inside



| TECHNICAL DATA  | HT-300                  |
|---|-------------------------|
| Crimping force:   | 60KN                    |
| Crimping range:   | Cu16-300mm <sup>2</sup> |
| Crimping type:  | hexagon crimping        |
| Stroke:   | 17mm                    |
| Length:   | 465mm                   |
| Weight:   | 3.3kg                   |
| Package:  | steel case              |
| <b>ACCESSORIES:</b>   |                         |
| Crimping dies: 16,25,35,50,70,95,120,150,185,240,300mm <sup>2</sup> |                         |

### FEATURES:

- The tool features a double speed action: a fast advancing speed for rapid approach of the blades to the connector and a slower more powerful speed for crimping.
- For ease of operation and comfort the operator the tool head can be fully rotated through 350° degrees.
- The built-in safety valve will by-pass the oil supply when the maximum pressure is reached, and the pressure release system can easily be operated at any stage of compression.
- With interchangeable dies.

## HT-400

With safety system inside



| TECHNICAL DATA  | HT-400                  |
|---|-------------------------|
| Crimping force:   | 120KN                   |
| Crimping range:   | Cu16-400mm <sup>2</sup> |
| Crimping type:  | hexagon crimping        |
| Stroke:   | 42mm                    |
| Length:   | 540mm                   |
| Weight:   | 6.3kg                   |
| Package:  | steel case              |
| <b>ACCESSORIES:</b>   |                         |
| Crimping dies: 16,25,35,50,70,95,120,150,185,240,300,400mm <sup>2</sup> |                         |

### FEATURES:

- The tool features with C type head. • Inter change able dies.
- For ease of operation and comfort the operator can make the tool head fully rotated tool 350°.
- A double speed action reflected by a fast advancing speed for rapid approach of the crimping die the connector and a slower more powerful speed for crimping.
- The built-in safety valve will by-pass the oil supply when the maximum pressure is reached, automatically pressure release.
- Manual retract after crimping.

## HT-400U

With safety system inside



| TECHNICAL DATA  | HT-400U                 |
|---|-------------------------|
| Crimping force:   | 120KN                   |
| Crimping range:   | Cu16-400mm <sup>2</sup> |
| Crimping type:  | hexagon crimping        |
| Stroke:   | 20mm                    |
| Length:   | 520mm                   |
| Weight:   | 5.3kg                   |
| Package:  | steel case              |
| <b>ACCESSORIES:</b>   |                         |
| Crimping dies: 16,25,35,50,70,95,120,150,185,240,300,400mm <sup>2</sup> |                         |

### FEATURES:

- The tool features with H type head.
- Inter change able dies.
- For ease of operation and comfort the operator can make the tool head fully rotated tool 350°.
- A double speed action reflected by a fast advancing speed for rapid approach of the crimping die the connector and a slower more powerful speed for crimping.
- The built-in safety valve will by-pass the oil supply when the maximum pressure is reached, automatically pressure release.
- Manual retract after crimping.



## THS-150

With safety system inside



### TECHNICAL DATA

|  |                         |
|--|-------------------------|
| <b>Model No:</b>   | <b>THS-150</b>          |
| Crimping force:  | 60KN                    |
| Crimping range:  | Cu10-150mm <sup>2</sup> |
| Crimping type:   | hexagon crimping        |
| Stroke:  | 15mm                    |
| Length:  | 380mm                   |
| Weight:  | 2.2kg                   |
| Oil capacity:  | 60cc                    |
| Package:   | plastic box             |
| <b>ACCESSORIES:</b>  |                         |
| Crimping dies: 10,16,25,35,50,70,95,120,150mm <sup>2</sup> |                         |

### FEATURES:

- The THS-150 is designed to accept dies for BEKU type mechanical tool widely used in European countries.
- The light weight and slim design is ideal for close quarter application such as connection in the switch box.
- Easy latch type closed head provides easy insertion and removal of connectors. The spring loaded pump handle allows one hand pumping until lower die holds connector between dies.
- The builtin safetyvalve will by-pass the oil supply when the maximum pressure is reached and the pressure release system can easily be operated at any stage of compression.





## CO-25

### FEATURES:

- The tool features with H type head.
- Inter change able dies.
- For ease of operation and comfort the operator can make the tool head fully rotated tool 350°.
- A double speed action reflected by a fast advancing speed for rapid approach of the crimping die the connector and a slower more powerful speed for crimping.
- The built-in safety valve will by-pass the oil supply when the maximum pressure is reached, automatically pressure release.
- Manual retract after crimping.

### TECHNICAL DATA

|                     |  |
|---------------------|--|
| <b>Model No:</b>    | <b>CO-25</b>                                     |
| Output:             | 230KN  |
| Crimping range:     | 16-630mm <sup>2</sup>                            |
| Rated pressure:     | 70Mpa (700bar)                                   |
| Size:               | 320X95X120mm                                     |
| Weight:             | 5.3kg (without die set)                          |
| Package:            | Steel case                                       |
| <b>ACCESSORIES:</b> |  |
| Crimping dies:      | 150, 185, 240, 300, 400, 500, 630mm <sup>2</sup> |
| Note:               | in can match hand pump CP-700                    |



## CO-45

### TECHNICAL DATA

|                     |   |
|---------------------|---|
| <b>Model No:</b>    | <b>CO-45</b>                            |
| Output:             | 450KN                                   |
| Crimping range:     | 120-1000mm <sup>2</sup>                 |
| Rated pressure:     | 70Mpa (700bar)                          |
| Size:               | 265X230X115                             |
| Weight:             | 11kg (without die set)                  |
| Package:            | Steel case                              |
| <b>ACCESSORIES:</b> |   |
| Crimping dies:      | 400, 500, 630, 800, 1000mm <sup>2</sup> |
| Note:               | in can match hand pump CP-700           |



## CO-60

### FEATURES:

- High-strength superior alloy steel material, after high technology heating process to ensure the life span and tooling strength.
- Rotate and take out the die shoulder to change the crimping size, easy to bring the conductor.
- High-strength spring make the retraction fast

### TECHNICAL DATA

|                       |                                  |
|-----------------------|----------------------------------|
| <b>Model No:</b>      | <b>CO-60</b>                     |
| Rated output:         | 605KN(61.8T)                     |
| Rated pressure:       | 70Mpa(700bar)                    |
| Piston stroke:        | 35mm                             |
| Oil capacity:         | 316ml                            |
| Net weight:           | 20kg                             |
| Retract mode:         | Spring retraction(Single action) |
| Cooper sleeve pipe:   | Φ60mm                            |
| Aluminum sleeve pipe: | Φ60mm                            |
| Steel sleeve pipe:    | Φ26mm                            |

**NOTE:** In order to meet the demand please provide appropriate size and a standard of tube when place order.





# SPLIT-TYPE CRIMPING HEAD

## EP-300H

| Model No:           | EP-300H  |
|---------------------|--|
| Crimping range:     | 16-300mm <sup>2</sup> Cu-conductors<br>10-240mm <sup>2</sup> Al-conductors |
| Crimping force:     | 60KN   |
| Crimping type:      | hexagon crimping   |
| Stroke:             | 17mm   |
| Weight:             | approx.2.5kg   |
| Package:            | plastic box  |
| Weight of box:      | approx.2.5kg   |
| <b>ACCESSORIES:</b> |  |
| Crimping dies:      | 16,25,35,50,70,95,120,150,185,240,300mm <sup>2</sup>                       |
| Note:               | In can match hand pump   |



- Split hydraulic crimping head can work with hydraulic pump.
- It is suitable for outside and inside project of the distributo house, it is thespecial tools for all kinds of connecting and building over head cable.

## EP-430H

| Model No:           | EP-430H   |
|---------------------|---|
| Crimping range:     | Cu 50-400mm <sup>2</sup>                        |
| Crimping force:     | 116KN   |
| Crimping type:      | hexagon crimping                                |
| Stroke:             | 30mm  |
| Length:             | approx.330mm                                    |
| Weight:             | approx.4.7kg                                    |
| Package:            | plastic box                                     |
| Weight of box:      | approx.3.5kg                                    |
| <b>ACCESSORIES:</b> |   |
| Crimping dies:      | 50,70,95,120,150,185,240,300,400mm <sup>2</sup> |
| Note:               | In can match hand pump CP-700                   |



- Split hydraulic crimping head can work with hydraulic pump.it is suit for crimping big size of lugs.
- It is suitable for outside and inside project of the distributo house, it is thespecial tools for all kinds of connecting and building over head cable.

## EP-510H

| Model No:           | EP-510H   |
|---------------------|---|
| Crimping range:     | Cu 50-400mm <sup>2</sup>                        |
| Crimping force:     | 126KN   |
| Crimping type:      | hexagon crimping                                |
| Stroke:             | 38mm  |
| Length:             | approx.370mm                                    |
| Weight:             | approx.4.9kg                                    |
| Package:            | plastic box                                     |
| Weight of box:      | approx.3.5kg                                    |
| <b>ACCESSORIES:</b> |   |
| Crimping dies:      | 50,70,95,120,150,185,240,300,400mm <sup>2</sup> |
| Note:               | In can match hand pump CP-700                   |



- Split hydraulic crimping head can work with hydraulic pump.it is suit for crimping big size of lugs.
- It is suitable for outside and inside project of the distributo house, it is thespecial tools for all kinds of connecting and building over head cable.



## FYQ-400 / 500

|                    |   |  |  |
|--------------------|---|--|--|
| Model No           | FYQ-400/500   | Output   | 20T                                      |
| Stroke             | 20mm  | Package  | Cardboard box                            |
| Crimping form      | Hexagon   | Net weight<br>gross weight                           | 5.6kg/11kg<br>(including packaging+mold) |
| Crimping range     | (FYQ-400) Cu: 16-400mm <sup>2</sup><br>(FYQ-500) Cu: 16-500mm <sup>2</sup>  | Al 16-300mm <sup>2</sup><br>Al 16-400mm <sup>2</sup> |  |
| Mold configuration | (FYQ-400)<br>16, 25, 35, 50, 70, 95, 120, 150, 185, 240, 300, 400mm <sup>2</sup><br>(FYQ-500)<br>16, 25, 35, 50, 70, 95, 120, 150, 185, 240, 300, 400, 500mm <sup>2</sup> |  |  |

- It can be used with manual hydraulic pumps (CP-180, CP-700) to crimp copper and aluminum noses without power.
- It can also be equipped with electric hydraulic pumps (DYB-63A, QQ-700) to greatly improve work efficiency.
- It is suitable for the indoor and outdoor projects of the transmission and distribution layer, various connecting fittings, and professional use of overhead ground cables.
- 10KV-500KV high-voltage cable bushings, clamps, bare terminals, hexagonal crimping, tightly and not falling off.



## FYQ-630

|                    |  |                |                        |
|--------------------|--|----------------|------------------------|
| Model No           | FYQ-630  | Output         | 35T                    |
| Stroke             | 25mm   | Crimping range | 150-630mm <sup>2</sup> |
| Crimping form      | Hexagon  | Weight         | 17.5kg                 |
| Mold configuration | 150, 185, 240, 300, 400, 500, 630mm <sup>2</sup> |                |                        |

- It is suitable for the indoor and outdoor projects of the transmission and distribution layer, various connecting fittings, and professional use of overhead ground cables.
- 10KV-500KV high-voltage cable bushings, clamps, bare terminals, hexagonal crimping, tightly and not falling off.
- Need to be used with pumps (such as CP-700, DYB-63A electric pump, QQ-700 electric pump, etc.)



## CO-100S-1

|                |   |            |            |
|----------------|---|------------|------------|
| Model No       | CO-100S-1   | Output     | 100T       |
| Stroke         | 24mm  | Net weight | 33kg       |
| Crimping form  | Hexagon   | Package    | Wooden box |
| Crimping range | Cu/Al terminal sleeve $\Phi$ 65, copper sleeve 800mm <sup>2</sup> |            |            |

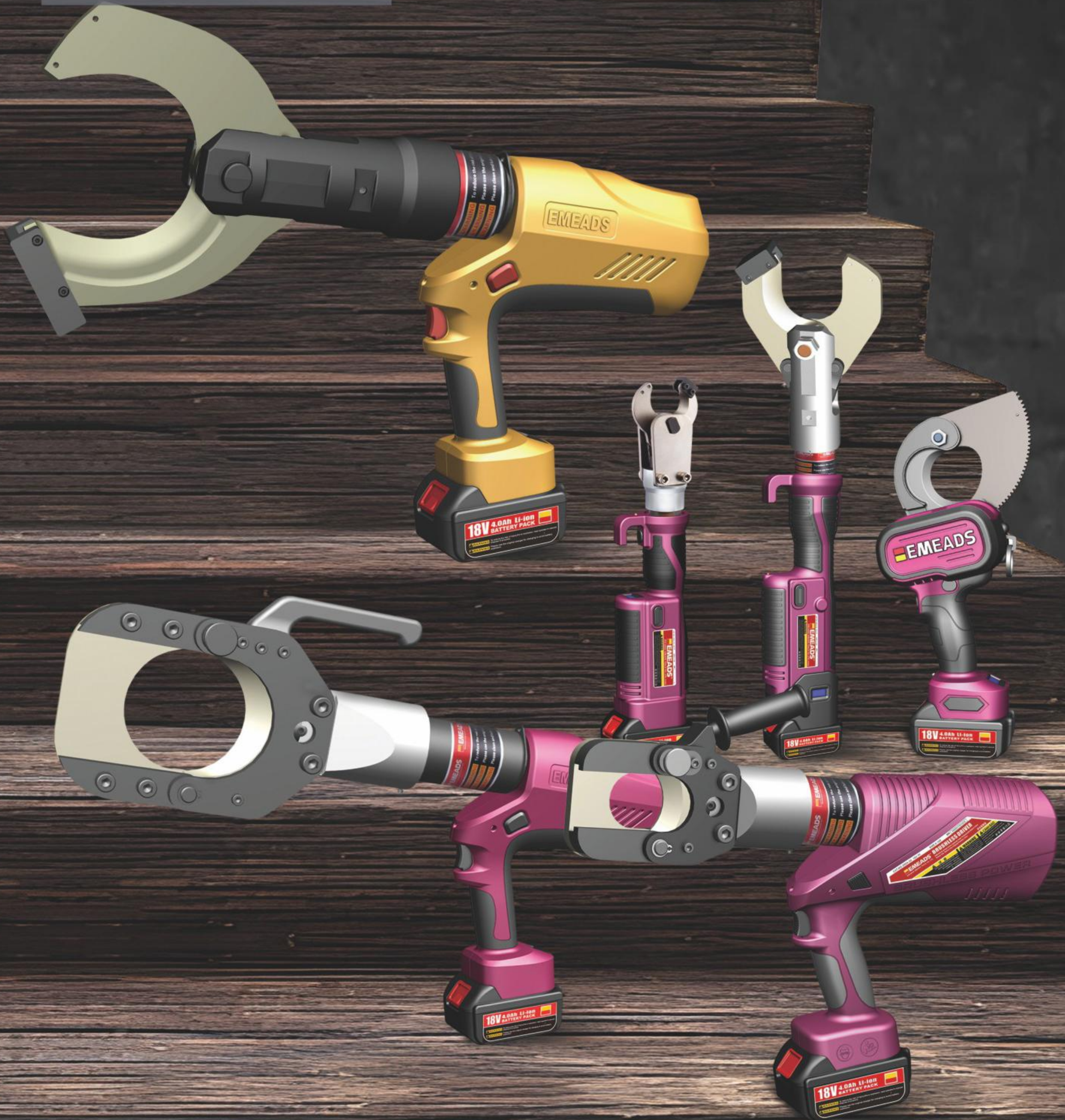
- Suitable for crimping of overhead tensile casing above 110KV and continuous operation of underground cables.
- Maximum casing size  $\Phi$ 65mm, wide crimping surface, less crimping times, reducing crimping deformation and controlling elongation.
- Double-acting hydraulic cylinder can avoid the problem of slow reset of spring elastic fatigue, and shorten the reset time of piston at the same time.
- The movable mold cover can assist the operator to easily take out the mold after crimping.
- The rotary mold cover can be opened and closed quickly, making the operation and positioning easier.
- Simple design and easy maintenance.
- Must be equipped with dual oil circuit hydraulic electric pump or gasoline engine pump, the factory does not contain a pump, customers can freely choose.
- The factory does not contain molds, the specific mold specifications and models need to be equipped according to customer needs.





# CUTTER SERIES

**EMEADS**<sup>®</sup>  
ZHEJIANG EMEADS TOOLS CO., LTD



POWERFUL POWER  
AND EFFICIENT OPERATION



**135C CHARGING TYPE HYDRAULIC CABLE CUTTER**

**25T EBS-135C**



**25T EB-135C**



**25T DES-135C (Brushless drive)**



**25T DE-135C (Brushless drive)**



| TECHNICAL DATA           |   |
|--------------------------|---|
| Cutting force:           | 200KN   |
| Stroke:                  | 62mm  |
| Cutting times:           | 40times (Per saturation voltage) (4.0 Standard configuration) |
| Cutting range:           | Φ130mm <sub>max</sub> Armoured and Cu/Al cable                |
| Voltage/capacity:        | 18V/4.0Ah/9.0Ah   |
| Gross weight/Net weight: | 24kg/11kg   |
| Charging time:           | 2 hours   |
| Package:                 | Plastic box   |
| ACCESSORIES              |   |
| Battery:                 | 2pcs  |
| Charger:                 | 1pc   |





**120C CHARGING TYPE HYDRAULIC CABLE CUTTER**

**25T EBS-120C**



**25T EB-120C**



**25T DES-120C (Brushless drive)**



**25T DE-120C (Brushless drive)**



**TECHNICAL DATA**

|                          |  |
|--------------------------|--|
| Cutting force:           | 200KN  |
| Stroke:                  | 62mm   |
| Cutting times:           | 50times (Per saturation voltage)               |
| Cutting range:           | Φ110mm <sub>max</sub> Armoured and Cu/Al cable |
| Voltage/capacity:        | 18V/4.0Ah/9.0Ah                                |
| Gross weight/Net weight: | 23kg/11kg                                      |
| Charging time:           | 2 hours  |
| Package:                 | Plastic box                                    |
| <b>ACCESSORIES</b>       |  |
| Battery:                 | 2pcs   |
| Charger:                 | 1pc  |



CHARGING TYPE HYDRAULIC CABLE CUTTER



**120C CHARGING TYPE HYDRAULIC CABLE CUTTER**

**15T EBS-120C**



**15T EB-120C**



**15T DES-120C (Brushless drive)**



**15T DE-120C (Brushless drive)**



**TECHNICAL DATA**

|                          |  |
|--------------------------|--|
| Cutting force:           | 150KN  |
| Stroke:                  | 62mm   |
| Cutting times:           | 50times (Per saturation voltage)               |
| Cutting range:           | Φ100mm <sub>max</sub> Armoured and Cu/Al cable |
| Voltage/capacity:        | 18V/4.0Ah/9.0Ah                                |
| Gross weight/Net weight: | 19kg/9kg                                       |
| Charging time:           | 2 hours  |
| Package:                 | Plastic box                                    |
| <b>ACCESSORIES</b>       |  |
| Battery:                 | 2pcs   |
| Charger:                 | 1pc  |





**105C CHARGING TYPE HYDRAULIC CABLE CUTTER**

**25T EBS-105C**



**25T EB-105C**



**25T DES-105C (Brushless drive)**



**25T DE-105C (Brushless drive)**



| TECHNICAL DATA           |  |
|--------------------------|--|
| Cutting force:           | 200KN  |
| Stroke:                  | 62mm   |
| Cutting times:           | 70times (Per saturation voltage)               |
| Cutting range:           | Φ100mm <sub>max</sub> Armoured and Cu/Al cable |
| Voltage/capacity:        | 18V/4.0Ah/9.0Ah                                |
| Gross weight/Net weight: | 23kg/10-12kg                                   |
| Charging time:           | 2 hours  |
| Package:                 | Plastic box                                    |
| ACCESSORIES              |  |
| Battery:                 | 2pcs   |
| Charger:                 | 1pc  |



CHARGING TYPE HYDRAULIC CABLE CUTTER



## 105C CHARGING TYPE HYDRAULIC CABLE CUTTER

### 15T EBS-105C



### 15T EB-105C



### 15T DES-105C (Brushless drive)



### 15T DE-105C (Brushless drive)



#### TECHNICAL DATA

|                          |   |
|--------------------------|---|
| Cutting force:           | 150KN   |
| Stroke:                  | 62mm  |
| Cutting times:           | 70times (Per saturation voltage)              |
| Cutting range:           | Φ85mm <sub>max</sub> Armoured and Cu/Al cable |
| Voltage/capacity:        | 18V/4.0Ah/9.0Ah                               |
| Gross weight/Net weight: | 15g/10-12kg                                   |
| Charging time:           | 2 hours                                       |
| Package:                 | Plastic box                                   |

#### ACCESSORIES

|          |      |
|----------|------|
| Battery: | 2pcs |
| Charger: | 1pc  |





**105 CHARGING TYPE HYDRAULIC CABLE CUTTER**

**EBS-105**



**EB-105**



**DES-105 (Brushless drive)**



**DE-105 (Brushless drive)**



**TECHNICAL DATA**

|                   |   |
|-------------------|---|
| Cutting force:    | 120KN   |
| Stroke:           | 105mm   |
| Cutting times:    | 130times (Per saturation voltage)             |
| Cutting range:    | Φ95mm <sub>max</sub> Armoured and Cu/Al cable |
| Voltage/capacity: | 18V/4.0Ah/9.0Ah                               |
| Net weight:       | 6.5kg   |
| Charging time:    | 2 hours                                       |
| Package:          | Plastic box                                   |

**ACCESSORIES**

|          |      |
|----------|------|
| Battery: | 2pcs |
| Charger: | 1pc  |





## 85C CHARGING TYPE HYDRAULIC CABLE CUTTER

### EBS-85C



### EB-85C



### DES-85C (Brushless drive)



### DE-85C (Brushless drive)



#### TECHNICAL DATA

|                   |   |
|-------------------|---|
| Cutting force:    | 120KN   |
| Stroke:           | 42mm  |
| Cutting times:    | 70times (Per saturation voltage)              |
| Cutting range:    | Φ70mm <sub>max</sub> Armoured and Cu/Al cable |
| Voltage/capacity: | 18V/4.0Ah/9.0Ah                               |
| Net weight:       | 6.0kg   |
| Charging time:    | 2 hours                                       |
| Package:          | Plastic box                                   |

#### ACCESSORIES

|          |      |
|----------|------|
| Battery: | 2pcs |
| Charger: | 1pc  |





## 85 CHARGING TYPE HYDRAULIC CABLE CUTTER

### EBS-85



With continuous function

### EB-85



Regular function

### DES-85 (Brushless drive)



With continuous function

### DE-85 (Brushless drive)



Regular function

#### TECHNICAL DATA

|                   |   |
|-------------------|---|
| Cutting force:    | 60KN  |
| Stroke:           | 85mm  |
| Cutting times:    | 130times (Per saturation voltage)             |
| Cutting range:    | Φ70mm <sub>max</sub> Armoured and Cu/Al cable |
| Voltage/capacity: | 18V/4.0Ah                                     |
| Net weight:       | 6.0kg   |
| Charging time:    | 2 hours                                       |
| Package:          | Plastic box                                   |

#### ACCESSORIES

|          |      |
|----------|------|
| Battery: | 2pcs |
| Charger: | 1pc  |





## 55 CHARGING TYPE HYDRAULIC CABLE CUTTER

### EBS-55



### EB-55



### DES-55 (Brushless drive)



### DE-55 (Brushless drive)



#### TECHNICAL DATA

|                |  |
|----------------|--|
| Cutting force: | 120KN  |
| Stroke:        | 50mm   |
| Cutting times: | 70times (Per saturation voltage)                                 |
| Cutting range: | Φ50mm <sub>max</sub> Armoured and Cu/Al cable/ACSR stranded wire |

|                   |             |
|-------------------|-------------|
| Voltage/capacity: | 18V/4.0Ah   |
| Net weight:       | 6.0kg       |
| Charging time:    | 2 hours     |
| Package:          | Plastic box |

#### ACCESSORIES

|          |      |
|----------|------|
| Battery: | 2pcs |
| Charger: | 1pc  |





**40 CHARGING TYPE HYDRAULIC CABLE CUTTER**

**EBS-40**



With continuous function

**EB-40**



Regular function

**DES-40 (Brushless drive)**



With continuous function

**DE-40 (Brushless drive)**



Regular function

**TECHNICAL DATA**

|                    |   |
|--------------------|---|
| Cutting force:     | 60KN/120KN (120KN optional tong head)   |
| Stroke:            | 40mm                                    |
| Cutting times:     | 130times (Per saturation voltage)       |
| Cutting range:     | Φ35mm <sub>max</sub> ACSR stranded wire |
| Voltage/capacity:  | 18V/4.0Ah                               |
| Net weight:        | 6.0kg                                   |
| Charging time:     | 2 hours                                 |
| Package:           | Plastic box                             |
| <b>ACCESSORIES</b> |   |
| Battery:           | 2pcs                                    |
| Charger:           | 1pc                                     |



CHARGING TYPE HYDRAULIC CABLE CUTTER



## MINI CHARGING TYPE HYDRAULIC CABLE CUTTER

### GE-85C

| TECHNICAL DATA    | GE-85C  |
|-------------------|---|
| Cutting force:    | 120KN   |
| Stroke:           | 35mm  |
| Cutting times:    | 130times (Per saturation voltage)             |
| Cutting range:    | Φ70mm <sub>max</sub> Armoured and Cu/Al cable |
| Voltage/capacity: | 18V/4.0Ah                                     |
| Net weight:       | 4.0kg   |
| Charging time:    | 2 hours                                       |
| Package:          | Plastic box                                   |
| ACCESSORIES       |   |
| Battery:          | 2pcs  |
| Charger:          | 1pc   |



### GE-65C (Special for ACSR)

| TECHNICAL DATA    | GE-65C                                  |
|-------------------|---|
| Cutting force:    | 120KN                                   |
| Stroke:           | 35mm                                    |
| Cutting times:    | 130times (Per saturation voltage)       |
| Cutting range:    | Φ55mm <sub>max</sub> ACSR stranded wire |
| Voltage/capacity: | 18V/4.0Ah                               |
| Net weight:       | 4.0kg                                   |
| Charging time:    | 2 hours                                 |
| Package:          | Plastic box                             |
| ACCESSORIES       |   |
| Battery:          | 2pcs                                    |
| Charger:          | 1pc                                     |



### GES-32C / GES-50C

| TECHNICAL DATA    | GES-32C  | GES-50C  |
|-------------------|--|--|
| Cutting force:    | 60KN   | 60KN   |
| Stroke:           | 30mm   | 35mm   |
| Cutting times:    | 130times (Per saturation voltage)                                | 130times (Per saturation voltage)                                |
| Cutting range:    | Φ30mm <sub>max</sub> Armoured and Cu/Al cable/ACSR stranded wire | Φ50mm <sub>max</sub> Armoured and Cu/Al cable/ACSR stranded wire |
| Voltage/capacity: | 18V/4.0Ah  | 18V/4.0Ah  |
| Net weight:       | 4.5kg  | 5.0kg  |
| Charging time:    | 2 hours  | 2 hours  |
| Package:          | Plastic box  | Plastic box  |
| ACCESSORIES       |  |  |
| Battery:          | 2pcs   | 2pcs   |
| Charger:          | 1pc  | 1pc  |

