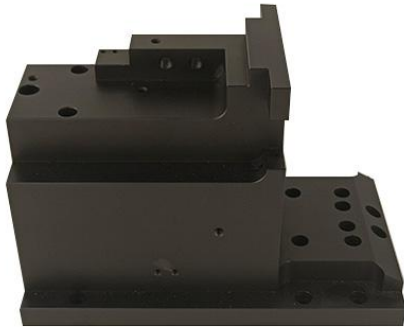


Printing Press Equipment Parts



As the professional manufacture, we would like to provide you high quality Eight® Printing Press Equipment Parts. And have gained the trust of customers in many countries at home and abroad due to their obvious advantages in terms of product quality and delivery time.

As the professional manufacture, we would like to provide you high quality Eight® Printing Press Equipment Parts. We have specialized in CNC Machining for nearly 10 years and have won the trust of our customers with strong technical support, good quality and service timely and accurate delivery, and have developed into a business pattern of both foreign trade and domestic sales.

Introduction to Printing press equipment parts:

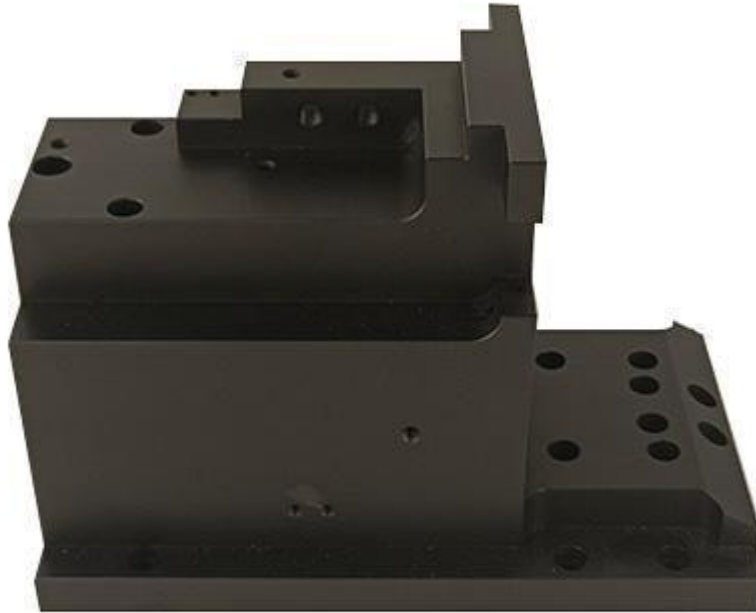
It is specially used for processing services in aerospace, military, automotive precision parts, parts processing and high-precision medical equipment and other industries; It can undertake small batch customized processing, with fast processing speed, high precision and good finish.

Dongguan Eight Metal Manufacturing Co., LTD

Address:No. 8, Buyan Industrial Yiheng Road, Fenggang Town, Dongguan City, Guangdong Province

Tel:+86-18675158482

E-mail:yangfuchangchang@gmail.com



Printing press equipment parts customization:

Size customization	Printing LOGO	Material selection
Craft production	Free design	Small batch customization
Surface treatment: Screen printing, electroplating, polishing, oxidation, sandblasting, wire drawing, laser engraving, baking paint		
Application areas: Auto parts, smart home appliances, security intelligence, aviation and military industry, digital office, medical equipment, electronic instruments, drones, etc.		

Dongguan Eight Metal Manufacturing Co., LTD

Address:No. 8, Buyan Industrial Yiheng Road, Fenggang Town, Dongguan City, Guangdong Province

Tel:+86-18675158482

E-mail:yangfuchangchang@gmail.com



FAQ

Q:1. Are you a trader or a manufacturer?

A:We are a professional manufacturer of customized hardware parts processing and CNC processing, with our own production factory and 15 years of production experience.

Q:2. How do we guarantee the quality?

A:1. Always pre-production samples before mass production;
2. Professional quality inspectors conduct product testing and quality assurance;
3. Our products win by quality and have a good reputation in the industry. We have served Dell, Logitech, ASUS, CAT and other first-line brands; we hope to establish a long-term cooperative relationship with you.

Q:3. What can you buy from us?

A:We are mainly engaged in CNC processing customization, mainly providing sports equipment, pneumatic components, ATM, commercial display, medical parts processing, communication parts processing, optoelectronic parts processing, auto parts processing, CNC precision processing, CNC processing, CNC processing of complex parts, non- CNC machining of standard parts, customized CNC machining, etc.

Q:4. Why buy from us instead of other suppliers?

A:We have 15 years OEM/ODM experience! We have our own design team and production team, equipped with complete production equipment and auxiliary processing

Dongguan Eight Metal Manufacturing Co., LTD

Address:No. 8, Buyan Industrial Yiheng Road, Fenggang Town, Dongguan City, Guangdong Province

Tel:+86-18675158482

E-mail:yangfuchangchang@gmail.com



**EIGHT METAL
MANUFACTURING**

www.eightmetal.com

equipment, so we can customize hardware parts with small MOQ, and carry out quality control in strict accordance with the ISO9001:2008 quality system to provide customers with stable and reliable products with service.

Q:5. How long will it take for delivery?

A:5-7 days for sampling, 35-45 days for delivery after sample confirmation.

Q:6. How can I get samples to check your quality?

A:After the price is confirmed, you can request samples to check our quality. We can provide free blank samples to check the design and product quality, but you need to bear the shipping cost.

Dongguan Eight Metal Manufacturing Co., LTD

Address:No. 8, Buyan Industrial Yiheng Road, Fenggang Town, Dongguan City,
Guangdong Province

Tel:+86-18675158482

E-mail:yangfuchangchang@gmail.com