



10kv High Voltage Frequency Inverter

Rongzhi Electric Power is a large-scale 10kv high voltage Frequency Inverter manufacturer and supplier in China. We have been specialized in High voltage equipment for many years. Our products have a good price advantage and cover most of the South America, Middle East, Africa, Southeast Asia markets. We look forward to becoming your long-term partner in China.

Rongzhi 10kv high voltage Frequency Inverter Parameter (Specification)

MVD Item	AMV-IV ~ 250 ~ 1500	AMV-IV ~ 500 ~ 9800	AMV-IV ~ 800 ~ 12500
Capacity of MVD (kVA)	250 ~ 1500	500 ~ 9800	800 ~ 12500
Apply motor Power (kW)	200 ~ 1250	400 ~ 7800	630 ~ 10000
Rated input Current (A)	50 ~ 300	50 ~ 960	50 ~ 780
Rated input Voltage (V)	3000±10%	6000±10%	10000±10%
Rated input frequency(Hz)	45 ~ 55		
Input power factor	0.96(> 20% Load)		
Efficiency	Under Rated load > 0.95		
Range of output	5 ~ 60(Other frequency should be stated before booking)		

frequency (Hz)			
Output frequency resolution (Hz)	0.01		
Overloading	120% anti-time limit of 1 minute, 150% immediate protection		
Analog input	2 lines (0 ~ 10) V/(4 ~ 20)mA		
Analog Output	4 lines (0 ~ 10) V/(4 ~ 20)mA		
Acceleration time (s)	0.1 ~ 3000		
Input/Output Switch Qty	Standard Setting: Input 6, output 6 lines; Can be options		
Inner earthing Resistance (Ω)	< 0.1		
Ambient ($^{\circ}\text{C}$)	0 ~ 40 ($^{\circ}\text{C}$)		
Storage / transport temperature($^{\circ}\text{C}$)	-40 ~ 70 ($^{\circ}\text{C}$)		
Cooling	Air Cooling		
Running Decibel (dB)	≤ 85		
Ambient humidity	< 90%, No Congeal		
Install Altitude (m)	$\leq 1000\text{M}$, If more than 1000meter,need to booked.		
IP Class	IP4X		
Diameter Size (mm)	4800×2450×1300	6500×2450×1300	7800×2450×1300
	200 ~ 630KW	400 ~ 3250KW	6300 ~ 5000KW
	5600×2450×1300	7800×2450×1300	10600×2480×1500

	630 ~ 1250KW	3250 ~ 7800KW	500 ~ 1000KW
Net Weight (kg)	3000 ~ 5000	6000 ~ 8000	8000 ~ 14000
	200 ~ 630KW	400 ~ 3250KW	6300 ~ 5000KW
	3500 ~ 6000	10000 ~ 16000	15000 ~ 23000
	630 ~ 1250KW	3250 ~ 7800KW	5000 ~ 10000KW

Rongzhi 10kv high voltage Frequency Inverter Product

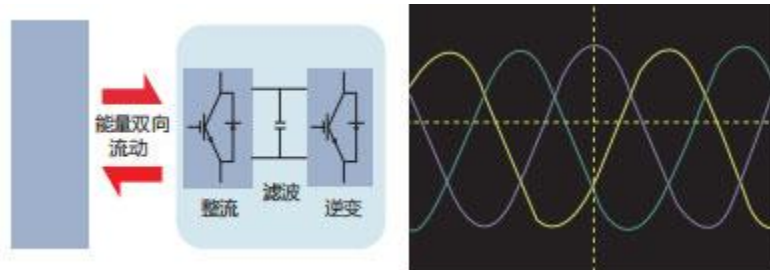
Feature

1.Three control techniques

- High performance VF control: motor universal control mode, support a variety of control curves and VF separation function
- Open loop vector : high precision control mode, no need to install speed sensor
- Closed-loop vector : ultra high precision control mode, can support additional encoder

2.Four quadrant drive technology

The power unit uses IGBT for rectification to realize bi-directional flow of capacity, energy saving and environmental protection. Full power feedback capability.



3.LVRT low voltage crossing technology

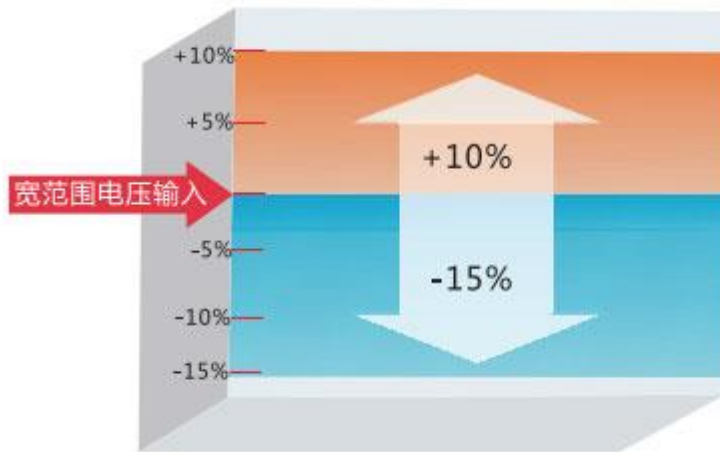
Wide range voltage immunity.

The system has AVR (automatic voltage regulation) function to meet the harsh power grid environment:

85%-85% derating output

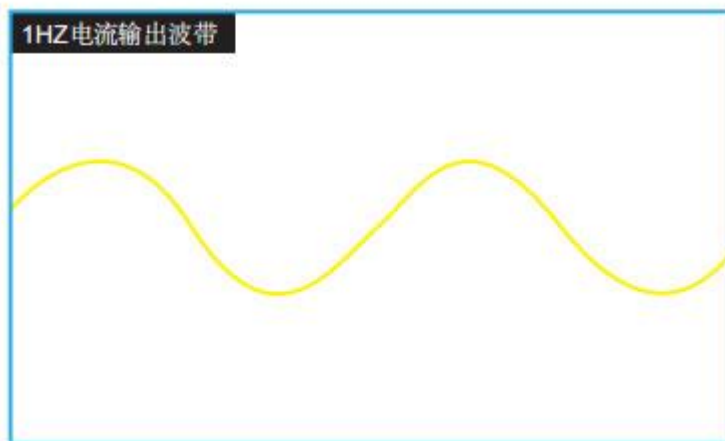
85%-110% full load output

110%-120% derating output

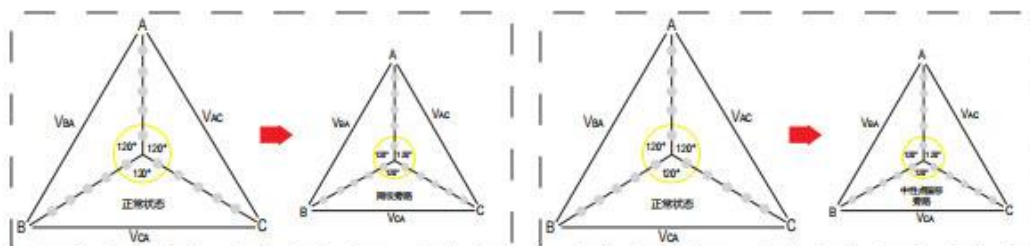


4. Excellent low frequency control technology

Advanced dead zone compensation technology, good low frequency waveform; The optimized low frequency oscillation suppression algorithm will not cause motor resonance.



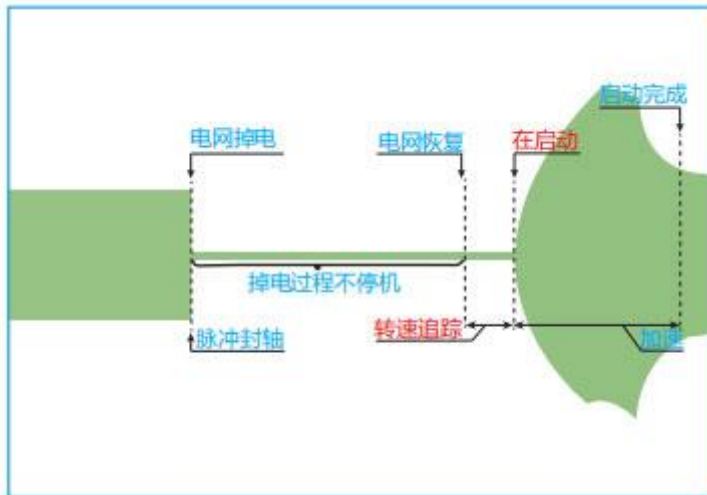
5. Unit bypass technique



Same bypass. When a unit fails, the system automatically bypasses each corresponding unit, which is suitable for derating operations Neutral offset bypass. High voltage output capacity, strong field adaptability.

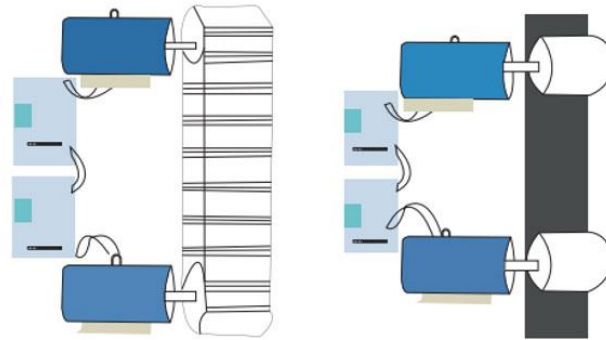
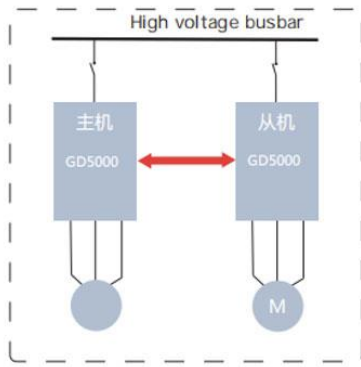
6.Full frequency speed tracking

The system can accurately track the current speed and direction of the motor without the need to install speed sensors. The system can start automatically when the power failure is recovered within the specified time.



7.Master control technology

- The host and slave are connected by CAN bus to balance the power of multiple devices.
- Wide input voltage range, more suitable for domestic power grid conditions.
- No special requirements for motor, suitable for ordinary high voltage motor, no length limit for motor cable.
- Equipped with a comprehensive operation monitoring system, with up to tens of thousands of operation log monitoring, can timely and accurately lock the fault point.
- Friendly all-Chinese interface and perfect self-diagnosis function.



Multi-motor drive system
 solution can realize multi
 motor coordination control
 to achieve the effect of
 power balance

The load can be rigid or flexible

Rongzhi 10kv high voltage Frequency Inverter Feature And Application



Electricity

Induced draft fan, blower, primary fan, secondary fan, feed water pump, circulating water pump, condensate pump, mortar pump, etc.



Mine

Main and auxiliary shaft hoist, main fan, pressure fan, extraction fan, air Compressor, gas drainage pump, medium pump, drainage pump, belt machine, roller Press, etc.