



领地
视频
号

领地沙发床架

浙江省嘉兴市秀洲区王江泾经济开发区多源路166号
传真 0573-82280866
电邮 Sales@linkrest.com

mechanism Sofa Sleeper
領地

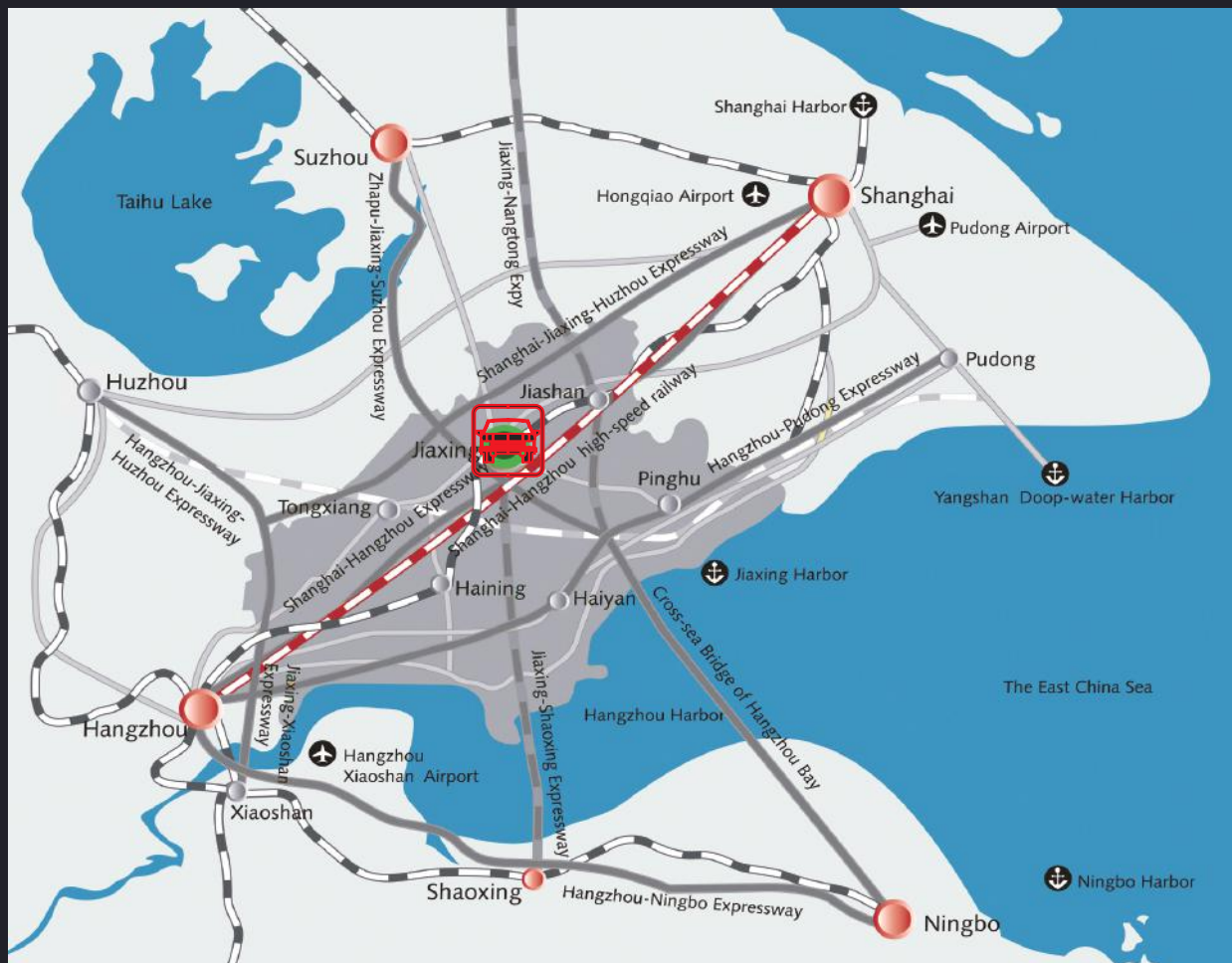


2008
LINKREST
2022

COMPANY PROFILE 公司简介

LINKREST is the largest sofa sleeper mechanism manufacturer in China. Our wide selection of high-quality and technically innovative sofa bed mechanisms adds value to leading upholstery brands in both domestic and international markets. We devote our passion to creating new designing, producing high-quality products, and providing professional service. We have been investing in R&D, automatic production lines, and finding the best solutions to reduce the cost and lead time for customer satisfaction. Raw material and transportation costs are on the rise. We have dedicated ourselves on finding technical solutions like our DIY mechanisms and redesigned construction to ensure customer satisfaction.

Jiaxing is a historical city located in the center of 4 major cities in China(Shanghai, Hangzhou, Ningbo and Suzhou), and 1.5h drive away from these cities.



嘉兴位于四大城市（上海、杭州、宁波和苏州）的中心，与这些城市的行车距离均在1小时半以内，属于交通枢纽中心。不仅交通便利，而且是一个具有历史文化沉淀的城市。

领地是中国市场最大的床架专业制造工厂，为国内和国际一流品牌客户提供创新和增值的产品和服务。随着原材料和运输成本的不断上升，领地每年最大的投资是技术研发和自动线装备，通过我们的技术手段来解决核心竞争力问题，如研发了大量的DIY散装床架和重新设计的升值产品。我们努力工作，不仅是为了向客户提供高品质的产品和专业的服务，更重要的是与客户一起共同提高核心竞争力，抵抗市场不断出现的风险。

Before we start to design a sofa bed or sofa sleeper, we need to choose the right mechanism to match the style.

1. Do you need a separate mattress?

If yes, then you will choose from folded categories like Bi-fold, Tri-fold, and one-step sleeper mechanism. If not you will choose from no mattress categories like click-clack hinges, drawer-out mechanism, pull-out mechanism, and slide mechanism.

2. How to choose from the folded categories?

If you need a thick&fixed backrest with a deep mounting depth(more than 800mm), you need to choose a Bi-fold mechanism. If the mounting depth is extra narrow less than 700mm, then you need to choose a Tri-fold mechanism. If the mounting depth is close to 900mm without a thick& fixed backrest required, then the best choice is the one-step mechanism.

Once you chose one of the folded categories, you can follow step by step to choose the right specifications:

2.1 Mattress width, length, and thickness.

2.2 Low leg, mid leg, and high leg.

2.3 Deck materials like polydeck, wooden slats, and metal grid.

2.4 For residential usage or commercial usage.

2.5 For house or boat.

3. How to choose from the no mattress category?

The different function requires different mechanisms for no mattress category.

3.1 Click-clac for backrest adjustment. Zero wall or non-zero wall? How many stops? Whether has the storage function?

3.2 Drawout mechanism works for drawers. There are one-stage, two-stage, and three-stage versions.

3.3 Pull-out mechanism works similar to folded mechanism but has no separate mattress. They also have one-stage, two-stage, and three-stage function differences.

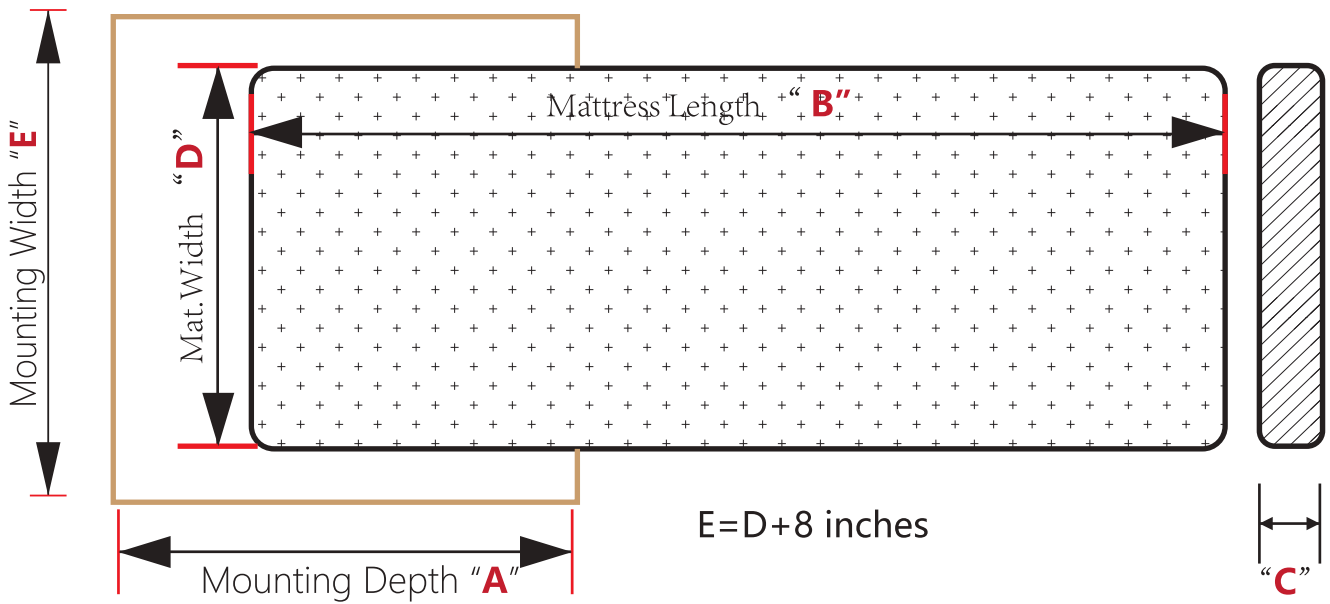
3.4 Slide mechanism is driven by body or motors, and different mechanisms to fit single seat, sofa, and corner seat.

在我们设计成品沙发床的时候，首先是如何选择床架型号来完美配合您的产品款式：

(1) 如果是含独立床垫的产品，那么要根据沙发的安装深度和是否是固定厚靠背来选择是二折、三折和一折床架。二折的深度要求通常在85cm左右，三折是65cm左右，一折是90cm左右。然后根据床垫的宽度、长度和厚度，脚型的高低，床面的材料以及产品用途确定具体的规格型号。

(2) 对于不含床垫的产品，可以根据功能来选择。通常分为靠背功能转换铰链、着地水平拉出功能床架、提升拉出床架以及座垫滑轨床架。具体的选择在后面的产品中会具体涉及。

BI-FOLD MECHANISM 二折床架



Choose the series according to chart below.

Mounting A	Length B	Thickness C	Leg Height	Deck	Purpose	Series
76 cm	72 inches	4.5 inches	2 inches	Poly	Overnight	2300#
81 cm	72 inches	4.5 inches	2 inches	Poly	Overnight	2500N#
81 cm	72 inches	4.5 inches	5 inches	Poly	Overnight	2500H#
81 cm	72 inches	4.5 inches	5 inches	Poly	Overnight	2600#
81 cm	72 inches	5.5 inches	2 inches	Poly	Overnight	2700#
81 cm	72 inches	5.5 inches	2 inches	Poly	Hotels	3300#
81 cm	72 inches	5.5 inches	2 inches	Poly	Hotels	3500#
84 cm	75 inches	5 inches	2 inches	Poly	Overnight	2500X#
84 cm	75 inches	5 inches	2 inches	Grid	Overnight	2900#
82 cm	75 inches	5 inches	2 inches	Slats	Everyday	LF00SK#
82cm	75 inches	5 inches	2 inches	Poly	Everyday	LF00PK#
82cm	75 inches	5 inches	2 inches	Poly	Everyday	MF00#
82 cm	75 inches	5 inches	2 inches	Grid	Everyday	MF00W#

Choose the model according to the Mounting Width "E"(E=Matt. Width +8 inches).

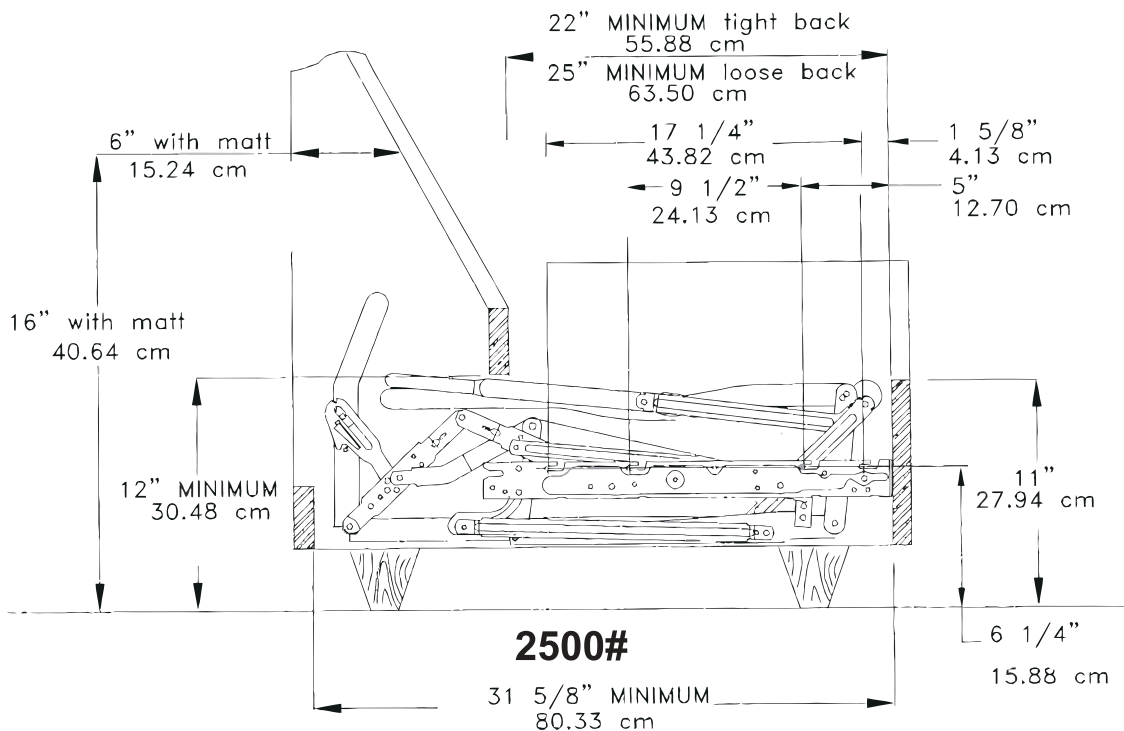
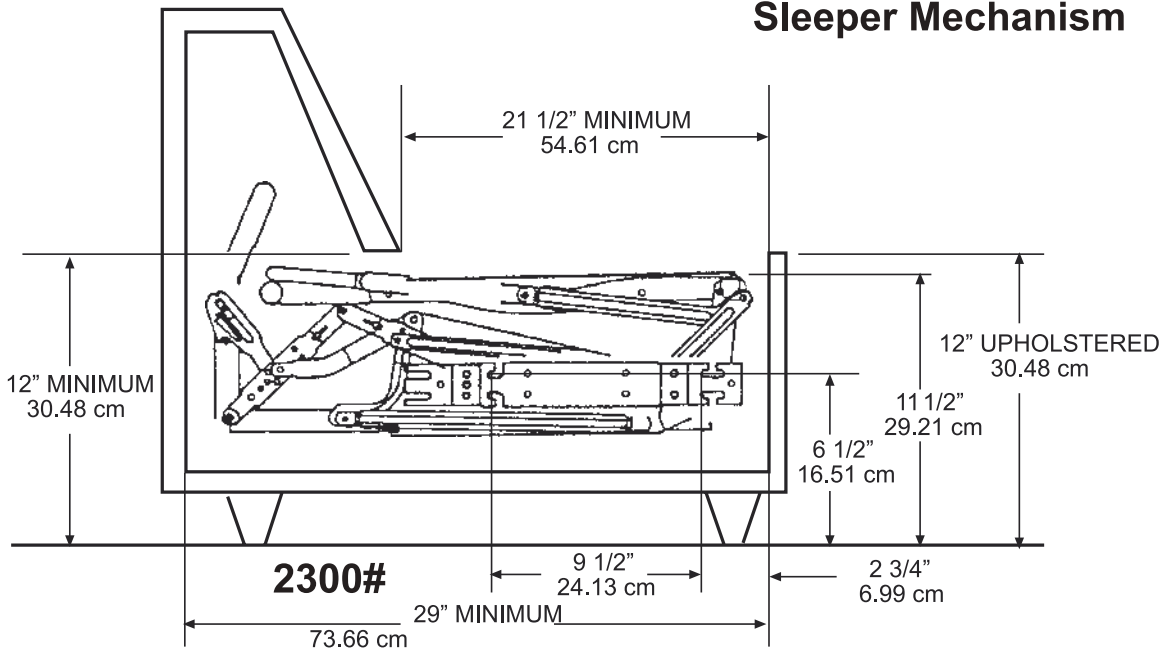
Mounting Width "E"			2500N#	2900#	LF00PK#	MF00#
72 inch	182.90cm	King	2572N	2972	LF72PK	MF72
68 inch	172.70cm	Queen	2568N	2968	LF68PK	MF68
60 inch	152.40cm	Full	2560N	2960	LF60PK	MF60
44 inch	111.80cm	Twin	2544N	2944	LF44PK	MF44
40 inch	101.60cm	Minitwin	2540N	2940	LF40PK	MF40
31 inch	78.80cm	Single	2531N	2931	LF31PK	MF31

我们先根据表格中的六项要求确定产品型号，然后根据床垫宽度D或床架安装宽度E确定产品的规格。

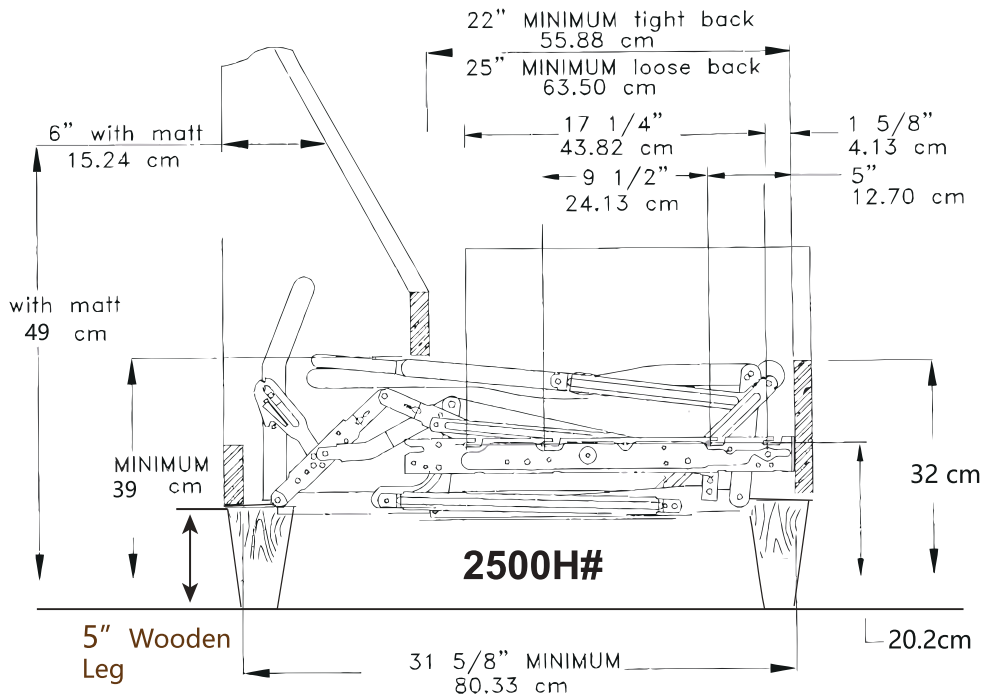
"00"在系列中代表英制安装宽度"E"，常规的尺寸有72",68",60",44",40",33或31".



Overnight Bi-fold Sleeper Mechanism



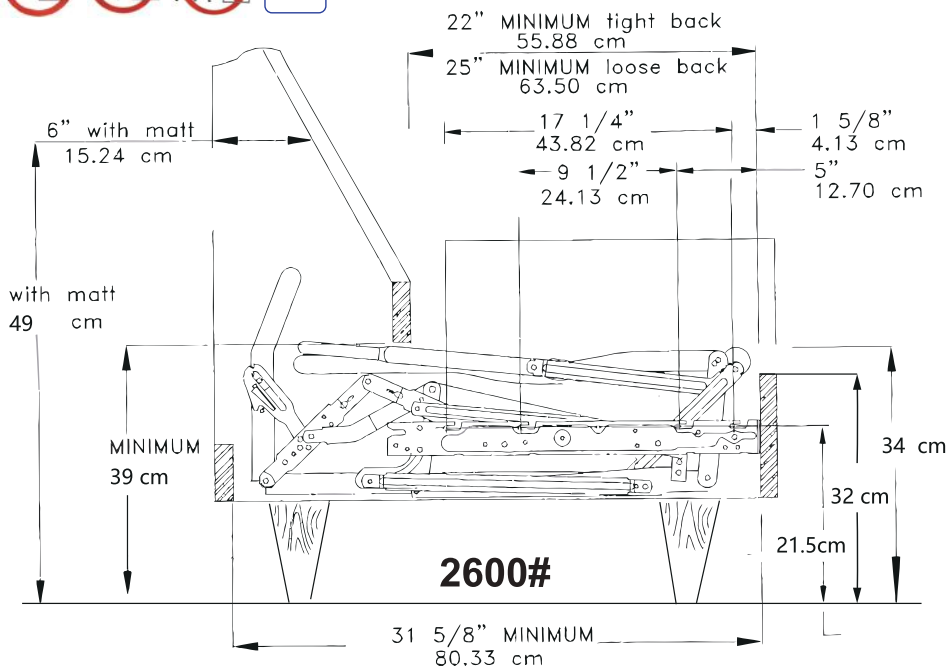
BI-FOLD MECHANISM 二折床架

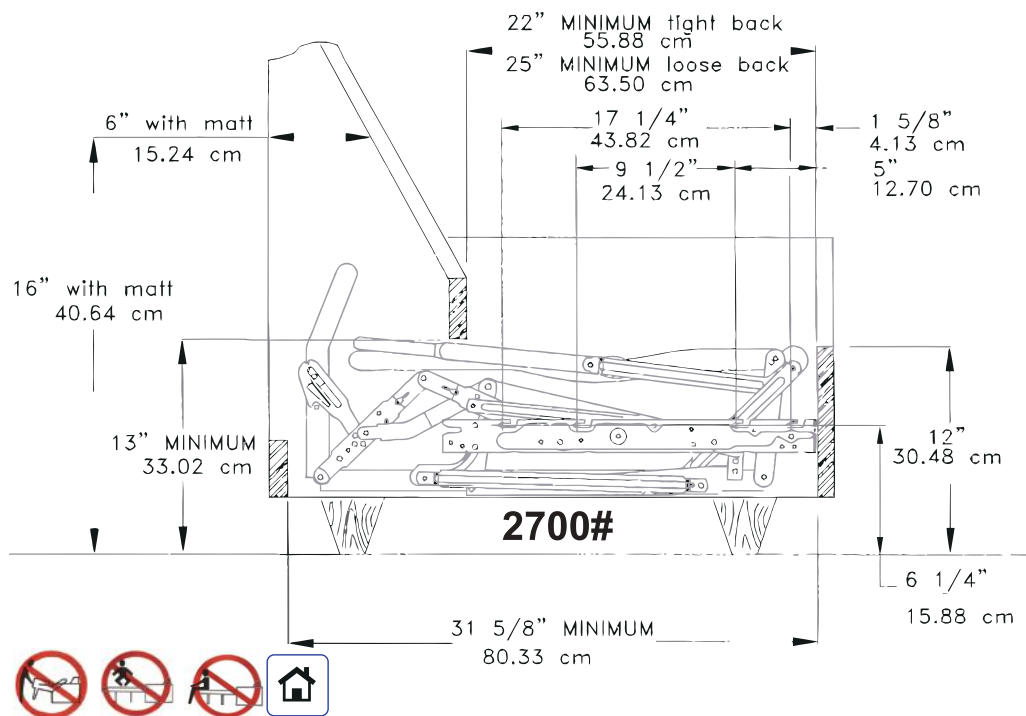


2500H is not a real high leg mechanism, the mechanism will move down about 4.5cm to the floor.

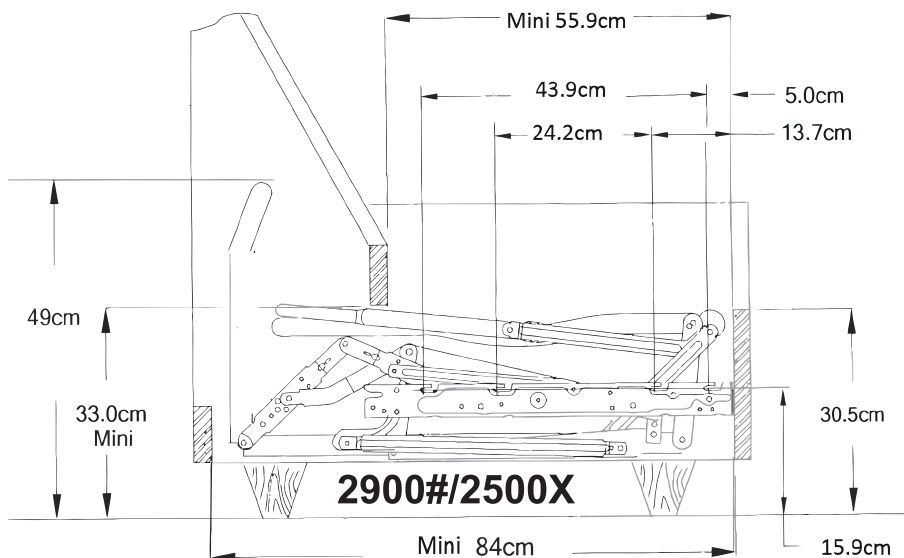
2600# is a real high leg mechanism, but the seat will be higher so recommended L-shaped seat cushion to low the seat.

2500H不是真高脚，使用高脚的时候铁架向地面方向下降大约4.5公分。2600#是真高脚但会影响座高，建议用L型床垫来降低其座高。





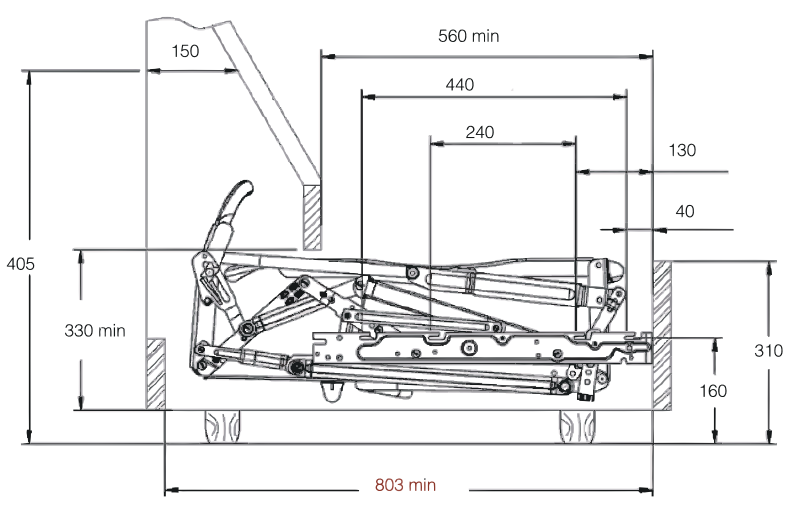
2300#/2500#/2500H#/2600#/2700# use Polydeck for temporary overnight sleeping. 2900# uses a metal grid deck and seat webbing with a thick tube gauge for everyday use..
 以上系列除2900#外床面均采用床布，满足临时睡眠需要。2900#采用钢网加弹力带和材料加厚设计，满足每天使用的睡眠质量。



BI-FOLD MECHANISM 二折床架



3500/3300#
For Hotels
酒店专用二折床架



3300/3500# **PATENTED**

Available to add spring loaded wooden slats to adjust the comfort.

可选配两头加弹簧的木条来进一步提升舒适性

Don't allow children to jump on the sleeper. Please use stickers to tie the handle tube. TV headrest needs to be closed first before folding up. Recommended hotel uses the no-TV headrest version.

请用魔术贴将提升管固定在沙发中，禁止小孩操作沙发床或在床上玩耍。先释放头枕才能关闭床架，建议酒店用取消TV头枕功能。

Value of Real hotel sleeper 3300#

- (1) **Short rivets** and flat to flat riveted for 2000 cycles test and everyday operation.
- (2) Riveted **anti-tilt** system to secure the real safety when end users get up from the sleeper.
- (3) **Heat-treated** spring steel to allow people sit in the end of sleeper without bending issues.
- (4) **Solid rivets** for cross bars connections in case children play on the open bed .
- (5) **Fire-proof** and air-breath polydeck base for safety and health.
- (6) Mattress is fully locked by side rails for seat comfort, and the best location for cross body support wires to reduce sagging for sleeping comfort.

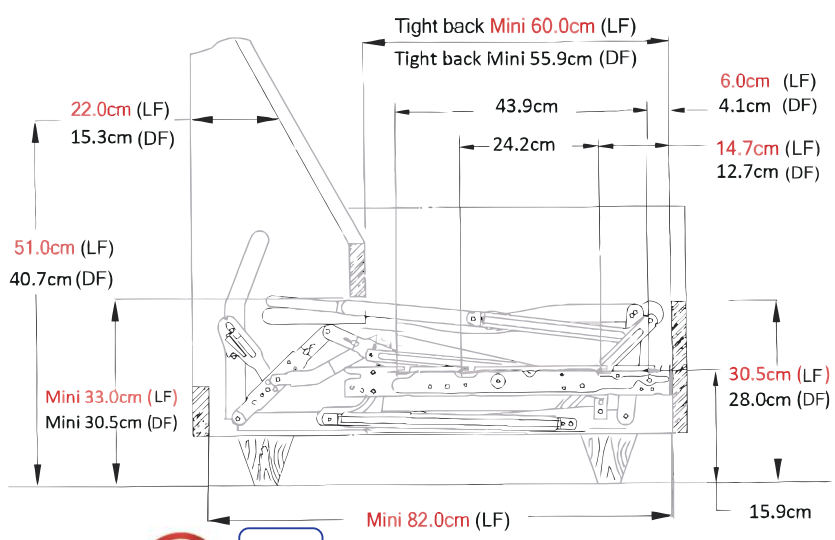
I 采用短铆钉平面铆接技术，满足每天使用的目的，测试超过2000次。II 永久性防倾设计，避免因防倾失效在起床时出现倾展的风险。III 热处理弹簧钢技术防止因尾部坐人损坏床架。IV 横向承重管件采用实心铆钉以免万一有小孩到床上玩耍。V 采用防火透气床布，提高安全性的同时更为旅客的健康考虑，因为标准床布会受潮发霉滋生细菌。VI 采用四个方向锁紧床垫实现坐感，采用更宽广的钢丝交叉支撑面积降低下垂程度提升睡眠质量，床布款客户还可增配木条的方式调节不同舒适性。

LF00SK# For Everyday

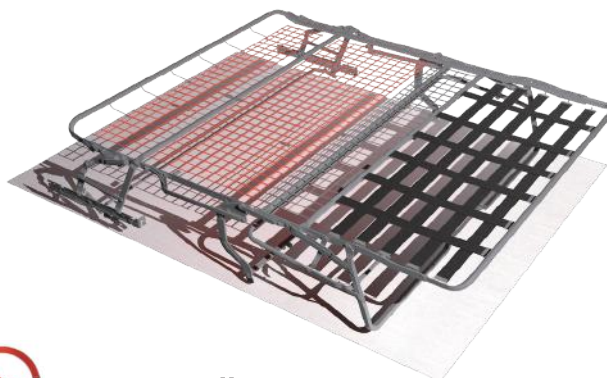
高端二折床 LF00SK#



Spring-loaded birch slats for the comfort. Available for polydeck version.

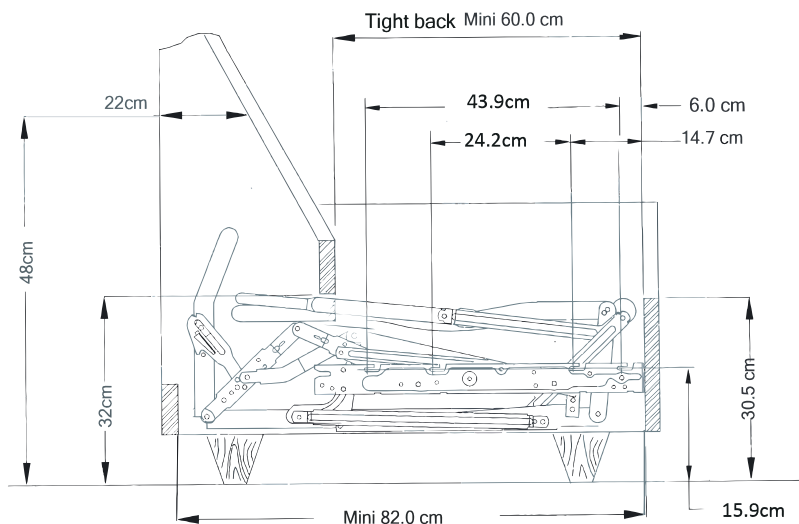


  **LF00SK#** **PATENTED**



MF00 For Everyday MF00W# For Everyday

I 采用短铆钉平面铆接技术，满足每天使用的目的，测试超过2000次。II 永久性防倾设计，避免因防倾失效在起床时出现倾展的风险。III 热处理弹簧钢技术防止因尾部坐人损坏床架。IV 根据目标市场不同可以选择床布款和网片款。V 作为高档款二折床，床垫为190cm长度，满足大多数身高的要求。VI 采用四个方向锁紧床垫实现坐感，床布款客户还可增配木条的方式调节不同舒适性。含床垫和不含床垫装柜量不变。



- (1) **Short rivets** and flat to flat riveted for 2000 cycles and everyday operation.
- (2) Riveted **anti-tilt** system to secure the safety for end users to get up from the sofa sleeper.
- (3) **Heat-treated** spring steel to allow people sit in the end of sleeper without bending issues.
- (4) **Metal grid** or polydeck base.
- (5) 7cm mattress longer compared to standard.
- (6) Mattress is fully locked by side rails for seat comfort. Same loading capacity with or without mattress.

Very **thick seat cushion** activates with mechanism for comfort and easy operation !

MF00# PATENTED

Standard size sheet for all Bi-fold models

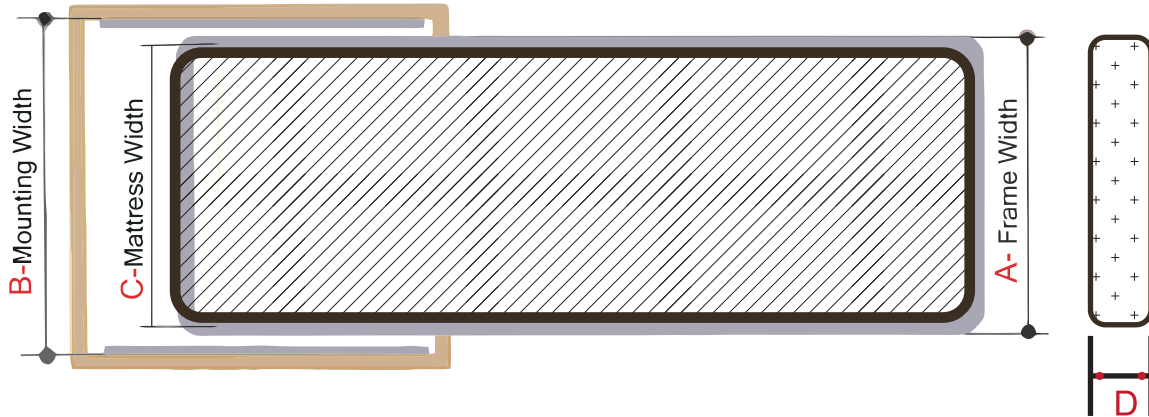
二折常用规格大小如下表所示

Size"E"	King	Queen	Full	Twin	Mini-Twin	Main Feature
2300	2372	2368	2360	2344	2340	Extera Narrow
2500	2572	2568	2560	2544	2540	Add "N" no bar feeling
2500H	2572H	2568H	2560H	2544H	2540H	High Leg Style
2600	2672	2668	2660	2644	2640	Real High Leg Style
2700	2772	2768	2760	2744	2740	Deep Cavity
2500X	2572X	2558X	2560X	2544X	2540X	Extra Long
3500/3300	/	3568	3560	3544	3540	Hotels
2900	/	2968	2960	2944	2940X	Metal Grid & Extra Long
LF00SK/PK	/	LF68Sk	LF60SK	LF44SK	LF40SK	Angle-rail & Extra long
MF00/W	/	MF68W	MF60W	MF44W	MF40W	Cushion Activate

Tri-FOLD MECHANISM 三折床架

Tri-fold has extra narrow mounting depth to fit most of stationary styles. Before you choose the right model, you are supposed to figure out the mattress thickness "D" first and then choose one of size from three width (mounting width B, Frame width A or mattress width C). "D" have two thickness, one is 6-8cm we called M6 and another is 8-10cm, we called M10.

三折床以其安装深度小 (64 cm)这个特点, 可以适用于大多数固定沙发。要确定三折床的型号, 首先要确定床垫的厚度D, 然后从确定三个宽度ABC中的其中一个宽度尺寸, ABC三个尺寸是关联的, 可以从其中一个计算出来。"D" 有二种尺寸, 一种是M6 (6-8cm), 还有一种是M10 (8-10cm)。



Mounting width (Inches)	68	64	60	52	44	40
Frame width(mm)	1600	1500	1400	1200	1000	900
Mattress width(cm)	153	143	133	113	93	83
We name the size by mounting width						

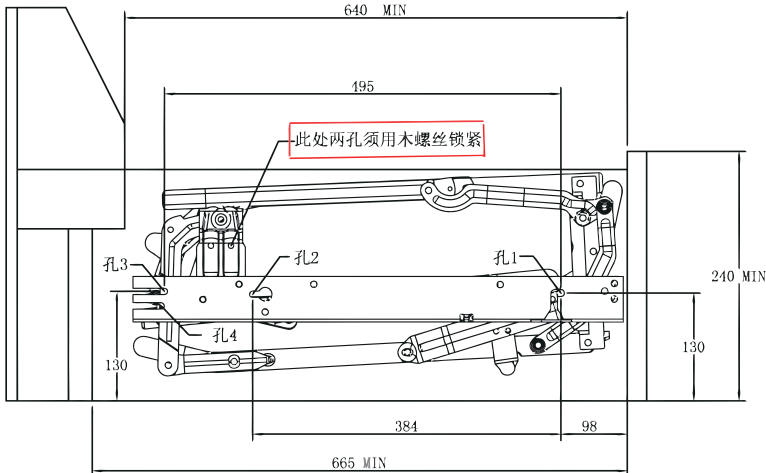
For further information, you need to choose deck, wooden leg height and application purpose.

如果进一步确认型号, 还需了解床面结构、脚型和市场用途信息。

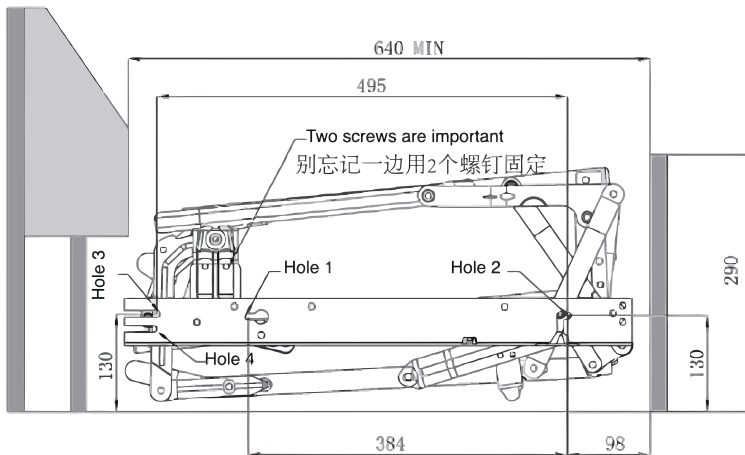
Models 型号	Deck 床面	Mat.D 床垫厚度	Mat.Length 床垫长度	Mounting Depth 安装深度	Legs 脚型	Purpose 用途
TF00	Polydeck	M6	186cm	64cm	Low	Everyday
TF00P	Polydeck+2Slats	M6	186cm	64cm	Low	Everyday
TF00K	Polydeck+4Slats	M6	186cm	64cm	Low	Everyday
TF00S	All Slats	M6	186cm	64cm	Low	Everyday
TF00W	Metal Grid	M6	186cm	64cm	Low	Everyday
TF00HB-W	Polydeck	M6	186cm	64cm	Mid	Everyday
TFH00	Polydeck	M6	186cm	64cm	High	Everyday
TFN00	Polydeck	M10	186cm	64cm	Low	Everyday
TFN00W	Metal Grid	M10	186cm	64cm	Low	Everyday
TFC00	Polydeck	M10	186cm	64cm	Low	Hotels
TFC00W	Metal Grid	M10	186cm	64cm	Low	Hotels

Once you step by step confirm the mounting width, mattress thickness, deck material, leg height and application purpose, you can figure out the right models. For example, you choose the TF00 series and the mounting width is 64 inches or frame width is 1500mm, then the model is TF64#.

如果选择了TF00系列, 而且安装宽度是64英寸或床框宽度是1500mm, 最终的型号为TF64#。



M6 Mounting Drawing



M10 Mounting Drawing

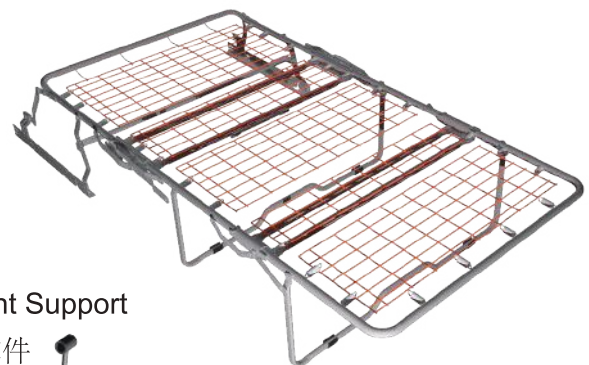


TFC00# Hotels
TFC00W# Hotels

三折酒店
款型号



Spring-loaded Birch Slats
弹簧加持的桦木条



Spring-loaded Metal Grid
弹簧加持的钢簧片

U-shaped Front Support
U型可选配支撑件



For high end market people used to chose wood slats or metal grid version because of no sag feelings.

对于高端市场，客户多选用木条款或钢簧款，因为床面下沉幅度小睡眠质量更好。

One-STEP MECHANISM 一折床架

For this category, open and close by one step, the back cushion and seat cushion both are connected by the mechanism, therefore one hand can run the sleeper. Also the side mechanism is much more stable compare to Bi-fold sleeper mechanism, these are great value compare to Bi-fold sleeper. But if apply this category to fixed backrest style, there are some challenge, maybe need to reduce the thickness of fixed backrest or make the mounting space deeper. Thinner fixed backrest is close to stationary bed in open position, that is another value we call real bed sofa.

相比较复杂的二折床操作以及左右横向的稳定性，一折床有着明显的优势，所以高端产品更加青睐用一折床设计。但对固定厚靠背款设计而言是一种挑战，需要增加沙发深度或者直接减薄固定靠背的厚度。其实薄型靠背在床架展开时更接近床头板的设计，这也是一种有价值的设计，我们称其为床用沙发而不是沙发床。

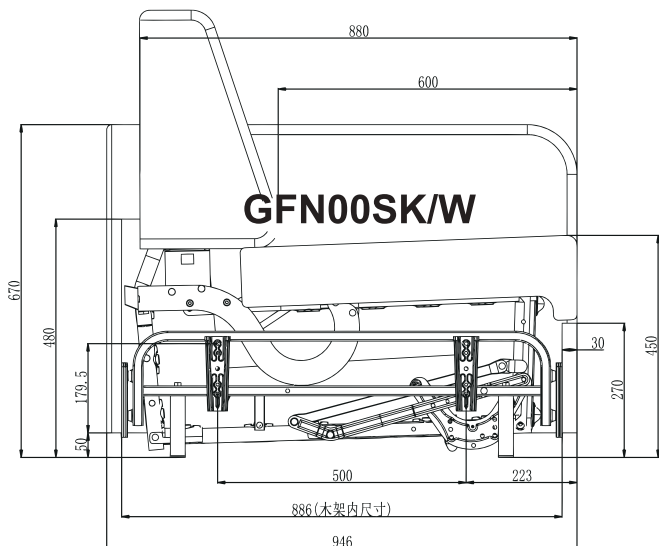
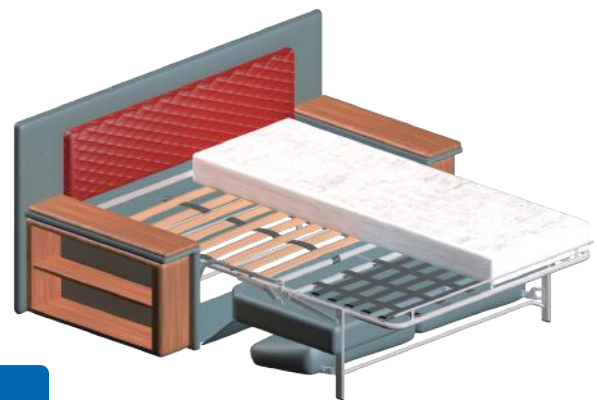
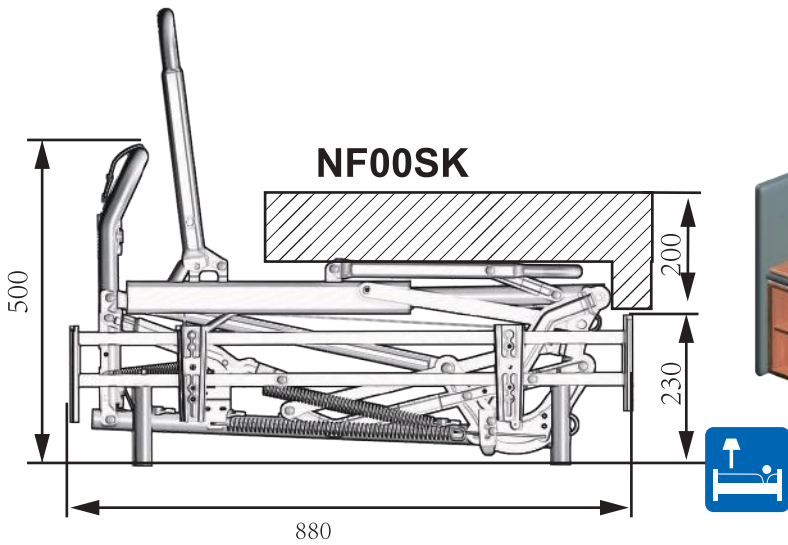
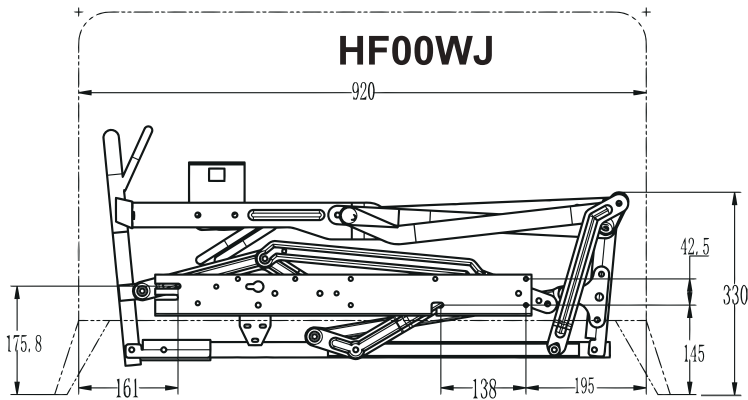
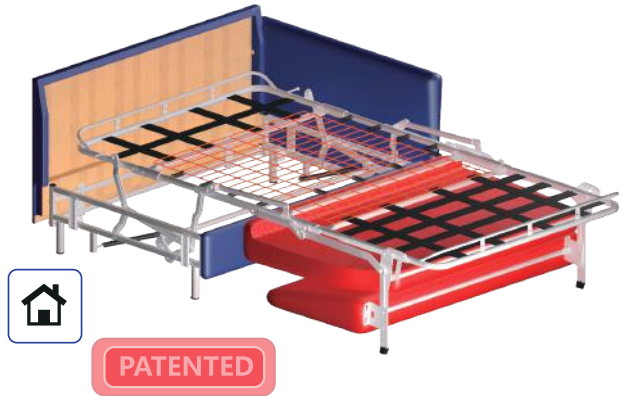
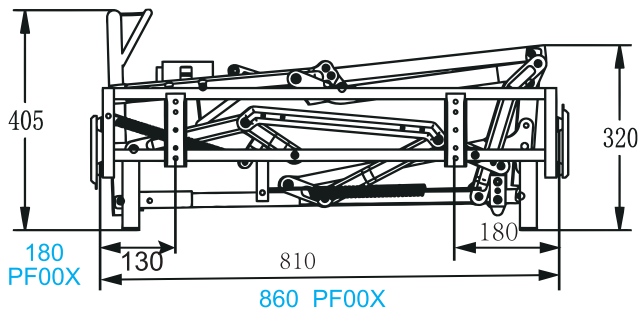
We have four main series of One-step sleeper mechanism, such as **PF000#**, **HF000#**, **NF00#** and **GFN00#**. Please see below cross sheet to confirm the Series first then chose the mattress width for final model you are looking for.

我们有四大系列的一折床型，如**PF000#**、**HF000#**、**NF00#**和**GFN00#**。参考下面的对照表格先确定产品系列，然后根据需要的床垫宽度或内安装宽度最终确定产品的型号。

Applications 应用	Mounting Depth 安装 深度	Mat. Thickness 床垫厚度	Mat. Length 床垫长度	Leg Height 脚型	Deck Material 床面结构	KD Arms 可拆式	Series 系列
Residential	810	12cm	190cm	Low leg	Grid+webbing	Yes	PF00
Residential	810	12cm	190cm	Low leg	Grid+webbing	None	PF00JW
Residential	810	12cm	190cm	Low leg	Poly deck	Yes	PF00PK
Residential	860	12cm	200cm	Low leg	Grid+webbing	Yes	PF00X
Residential	870	10cm	190cm	High Leg	Grid+webbing	Yes	HF00
Residential	870	10cm	190cm	High Leg	Grid+webbing	None	HF00JW
Contract	880	12cm	196cm	Low leg	Slats+webbing	None	NF00SJ
Contract	880	12cm	196cm	Low leg	Slats+webbing	Yes	NF00SK
Contract	880	14cm	196cm	Low leg	Slats+webbing	Yes	GFN00SK
Contract	880	14cm	196cm	Low leg	Grid+webbing	Yes	GFN00W

Size	Mattress Width	160cm	150cm	140cm	130cm	110cm	90cm	70cm
PF00#	Models	PF180	PF170	PF160	PF150	PF130	PF110	PF90
	Mounting Width	180cm	170cm	160cm	150cm	130cm	110cm	90cm
	/JW Mounting Width							
HF00#	Models	HF180	HF170	HF160	HF150	HF130	HF110	HF90
	Mounting Width	180cm	170cm	160cm	150cm	130cm	110cm	90cm
	/JW Mounting Width							
NF00#	Models		NF68	NF64	NF60	NF52	NF44	NF36
	/SK Mounting Width		177cm	167cm	157cm	137cm	117cm	97cm
	/SJ Mounting Width		171cm	161cm	151cm	131cm	111cm	91cm
GFN00#	Models		GFN68	GFN64	GFN60	GFN52	GFN44	GFN36
	/SK Mounting Width		177cm	167cm	157cm	137cm	117cm	97cm
	/W Mounting Width		177cm	167cm	157cm	137cm	117cm	97cm

PF00/PF00JW/PF00PK



Pull-out MECHANISM 提拉式床架

This category is a kind of pull-out mechanism like folded sofa bed mechanism but doesn't need a separated mattress. How to choose the pull-out sofa bed mechanism is based on functionality, leg height, application and size.

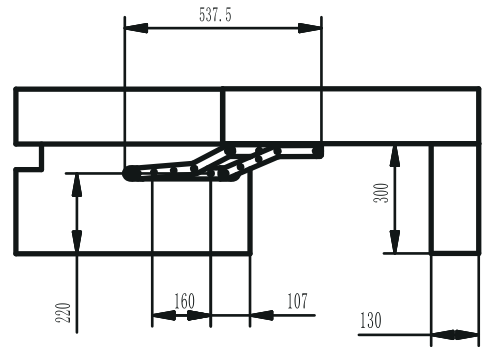
这是同折叠床比较类似的提拉式床架，但这个系列不需要配专用床垫。如果选择这个系列的床架，具体要看产品的功能、脚型和应用。

Functions	Series	Leg Height	Size	Applications
One-stage mechanism	SED01	Low Leg	Free of width	Side sofa bed
	SED03	High leg	Free of width	Side sofa bed
Two-stage mechanism	SEE01/02	Low leg	Free of width	Coner seat or side bed
	SEG	Low Leg	Single to King	Contract sofa bed
	SEF	Low Leg	Single to King	Contract sofa bed
Three stage mechanism	HPC	Low Leg	Single to twin	Hospital chair or leoveseat



SED01#

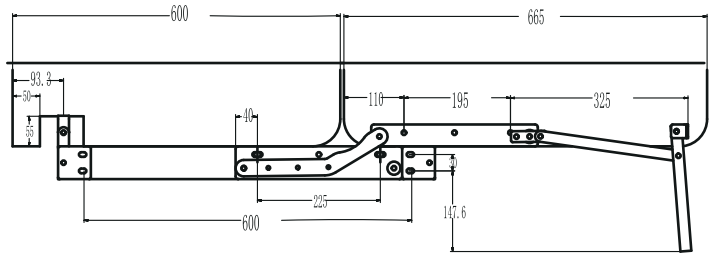
Free of width/宽度自由



SED03#

PATENTED

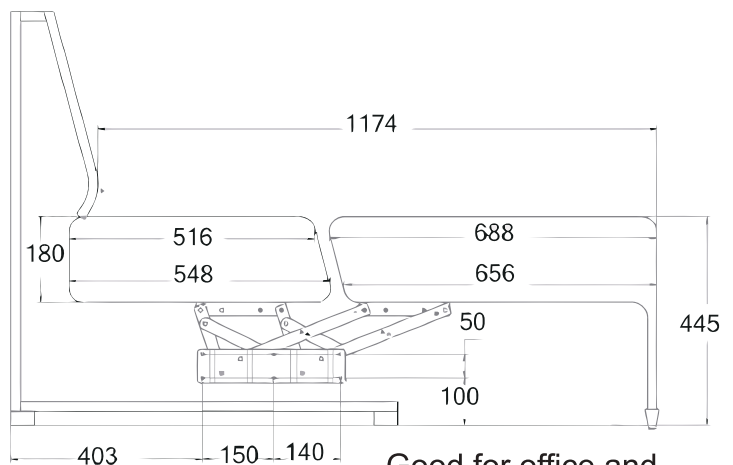
Free of width/宽度自由



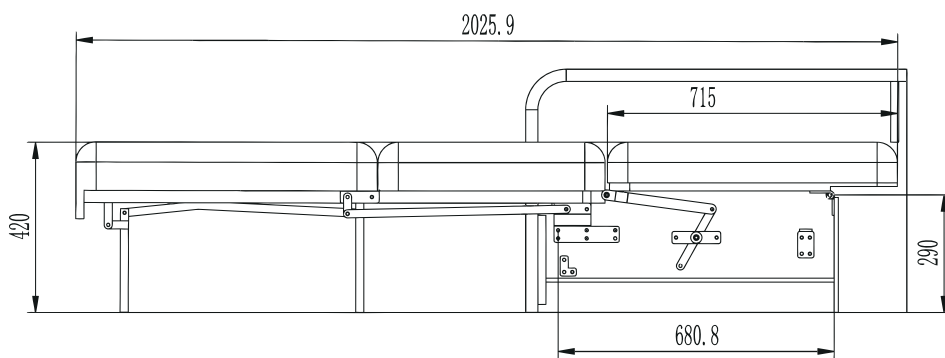
SEE01#

PATENTED

Free of width/宽度自由

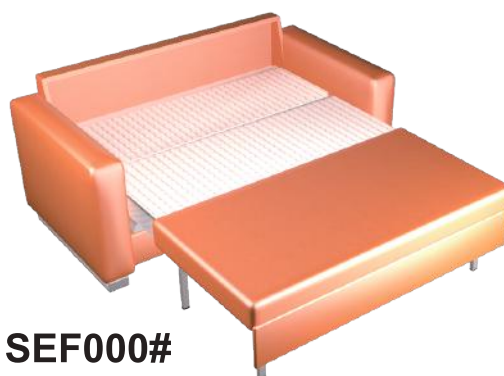


Good for office and studio room



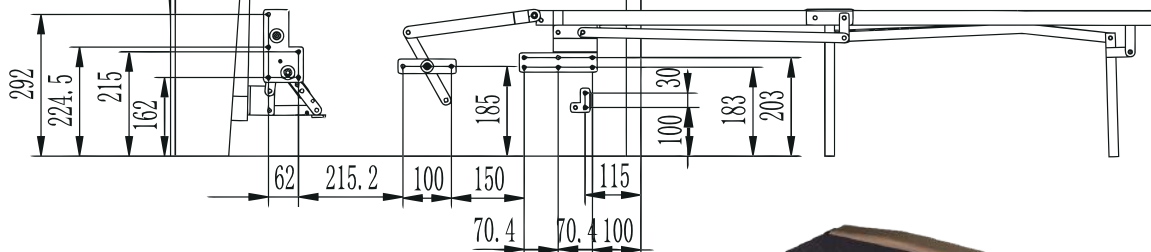
SEG000#

PATENTED



SEF000#

PATENTED

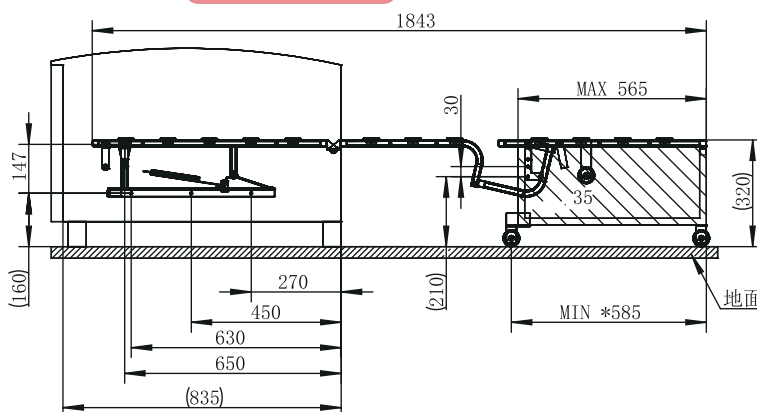


PHC000#

PATENTED



Model	Mounting Width (mm)
SEG/SEF 750	750
SEG/SEF 1100	1100
SEG/SEF 1400	1400
SEG/SEF 1500	1500
SEG/SEF 1700	1700
PHC 622	622
PHC 722	722
PHC 800	800
PHC 1100	1100

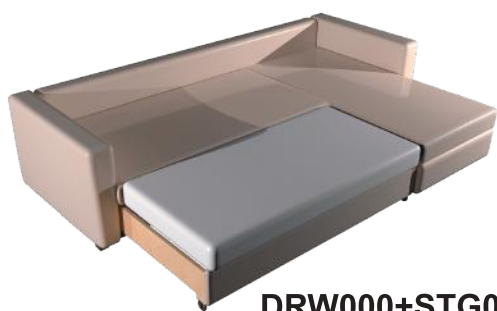


Draw-out MECHANISM 抽拉式床架

This category is a kind of draw-out mechanism but doesn't need a separated mattress. How do you choose the pull-out sofa bed mechanism depends on style, open length and size.

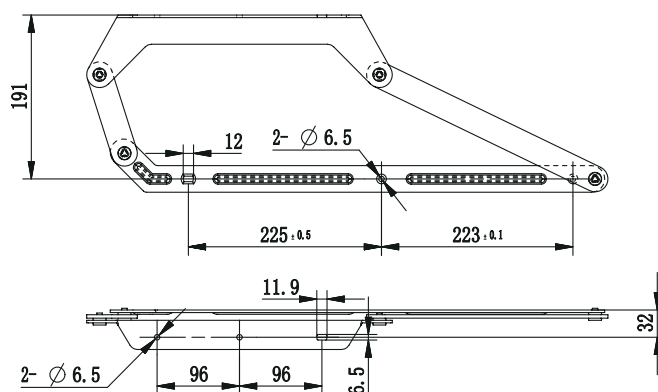
这是抽屉式床架系列，但这个系列不需要配专用床垫。这个系列的床架选择，具体要看产品的款式、展开长度和宽度等。

Series	Function	Features	Application	Mounting Width			
DRW000#	One-stage	Safe-lock	Corner Sofa	Free of width/Max 60"			
SEC000#	One-stage	Safe-lock & Springs assistance&Sync well	Low leg King size sofa bed	Customerized/Max80"			
SEA01/02#	One-stage	High leg & fit to Online Sales	High leg King size sofa bed	1900mm	2000mm		
SEB000#	Two-stage	Quick for sleeper & comfort	Open length 1900mm	900mm	1500mm		
SFG000#	Three-stage	Comfort for sitting and sleeping.	Open length 1950mm	725mm	1372mm	1650mm	
TD000#	Three-stage	Comfort for sitting and sleeping.	Open length 2000mm	28.9"	34.5"	54"	62"



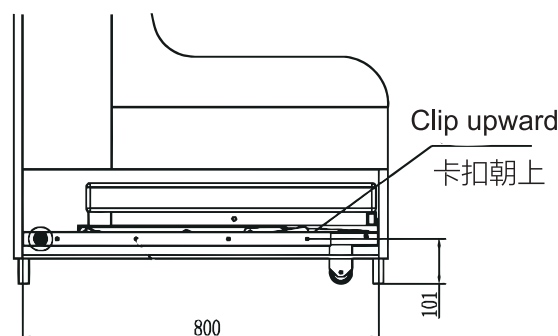
DRW000+STG002

PATENTED



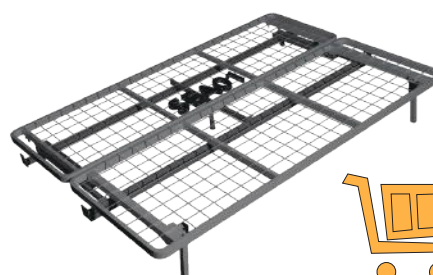
SEC75#,75"

PATENTED

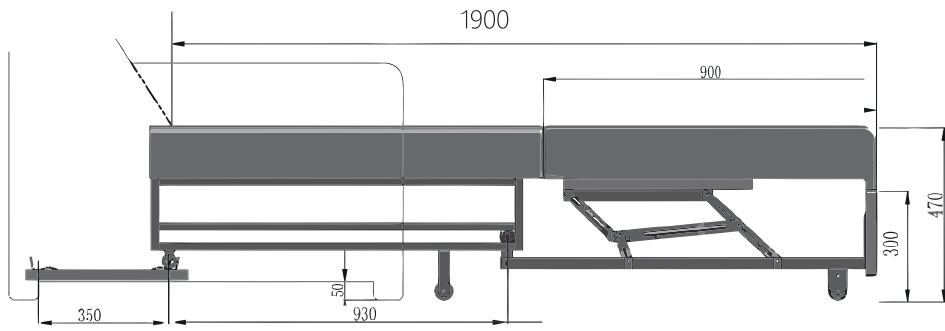


SEA01#-190/200

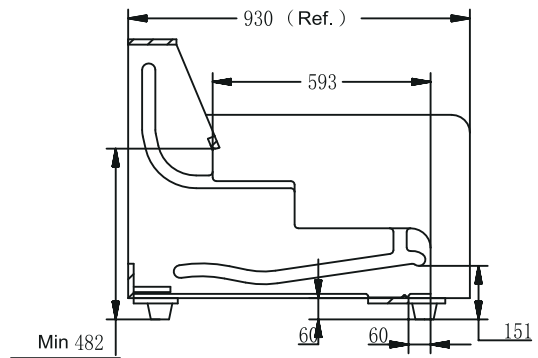
PATENTED



KD设计适合网销



SEB000#



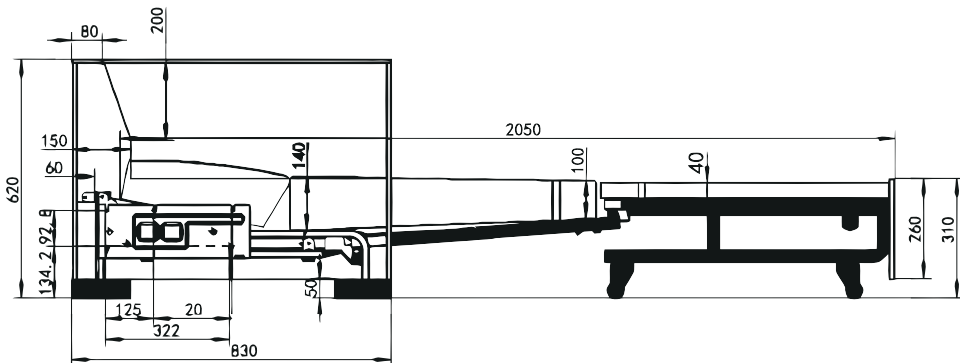
SFG000#

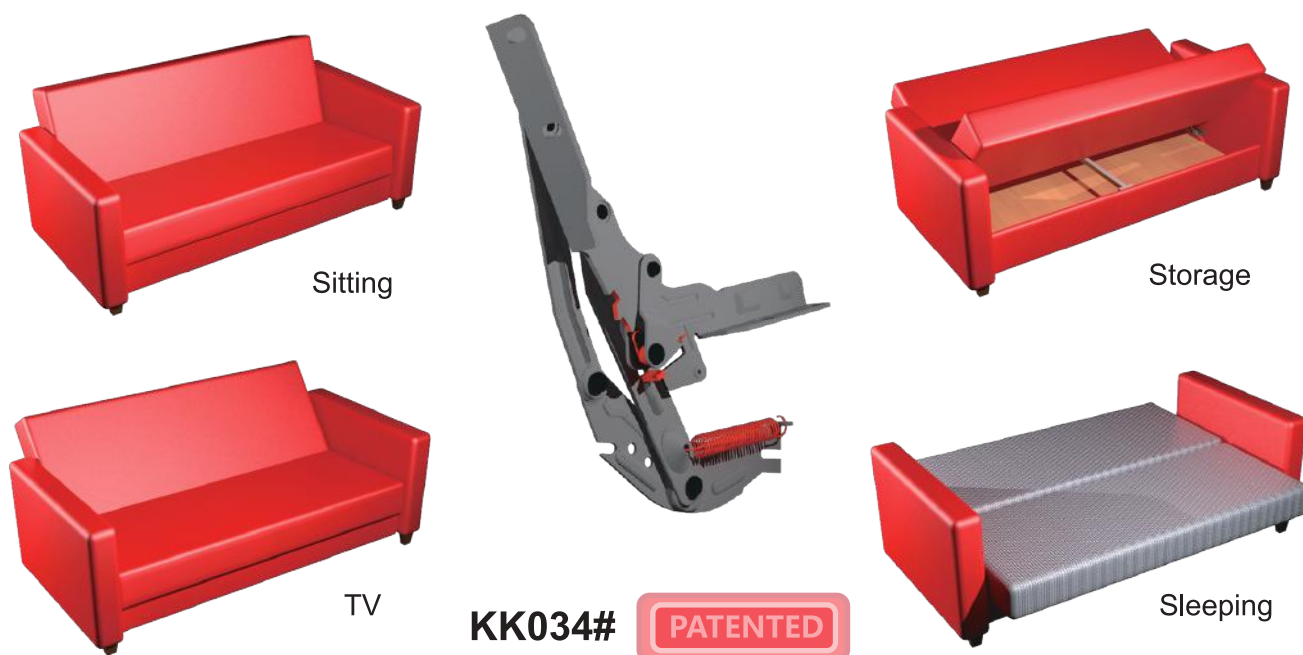
PATENTED



TD000#

PATENTED





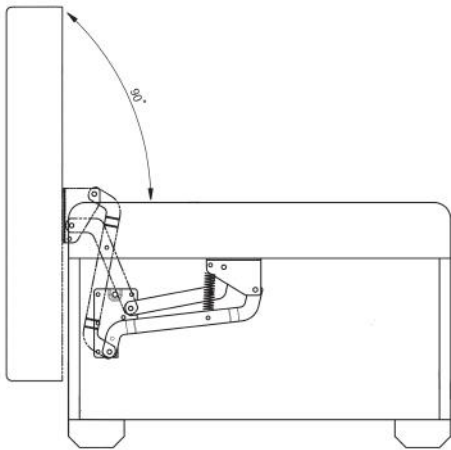
New updated Zero- Wall and Double-lock Click clac mechanism KK034#, it takes a torsion spring for quick and stable lock. This is the perfect mechanism for DIY flat package furniture design.新升级的靠墙双限位床架铰链，采用强力扭簧设计，实现快速和稳定的自锁。具有座姿、休闲姿、平躺姿和贮藏式功能。该产品满足小包装和自行安装的特点要求，是**电商业务**中最出色的产品之一。



Vertical Mounting and 3-stops mechanism KK035#.Easy for KD furniture design. 适用于垂直安装结构，容易制造可散装的沙发床设计。

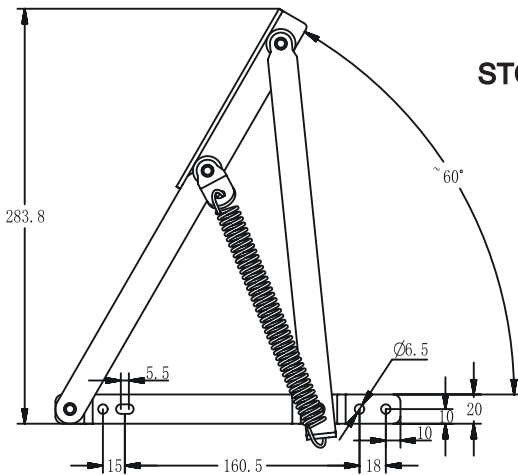


Horizontal Mounting and 3-stops mechanism KK023#.It needs wing back frame to install. 适用于水平安装设计的结构，需要靠背做成侧翼才能安装。



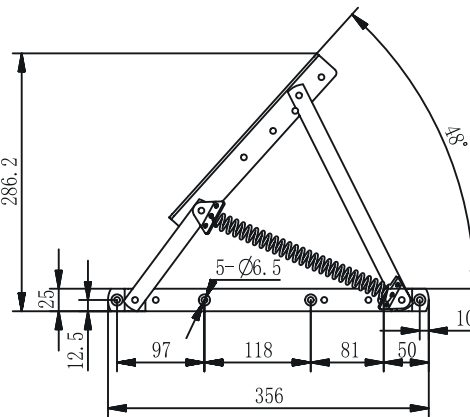
STG005#

Ottoman Sleeper Hinge STG005#
搁脚床专用铰链STG005#



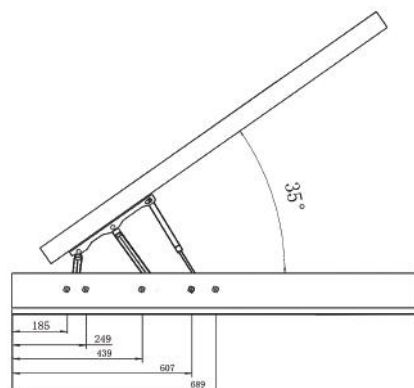
STG001#

Seat storage Hinge STG001#
沙发普通位专用铰链STG001#



STG002#

Sectional Seat Hinge STG002#
转角贵妃位专用铰链STG002#



STG003#

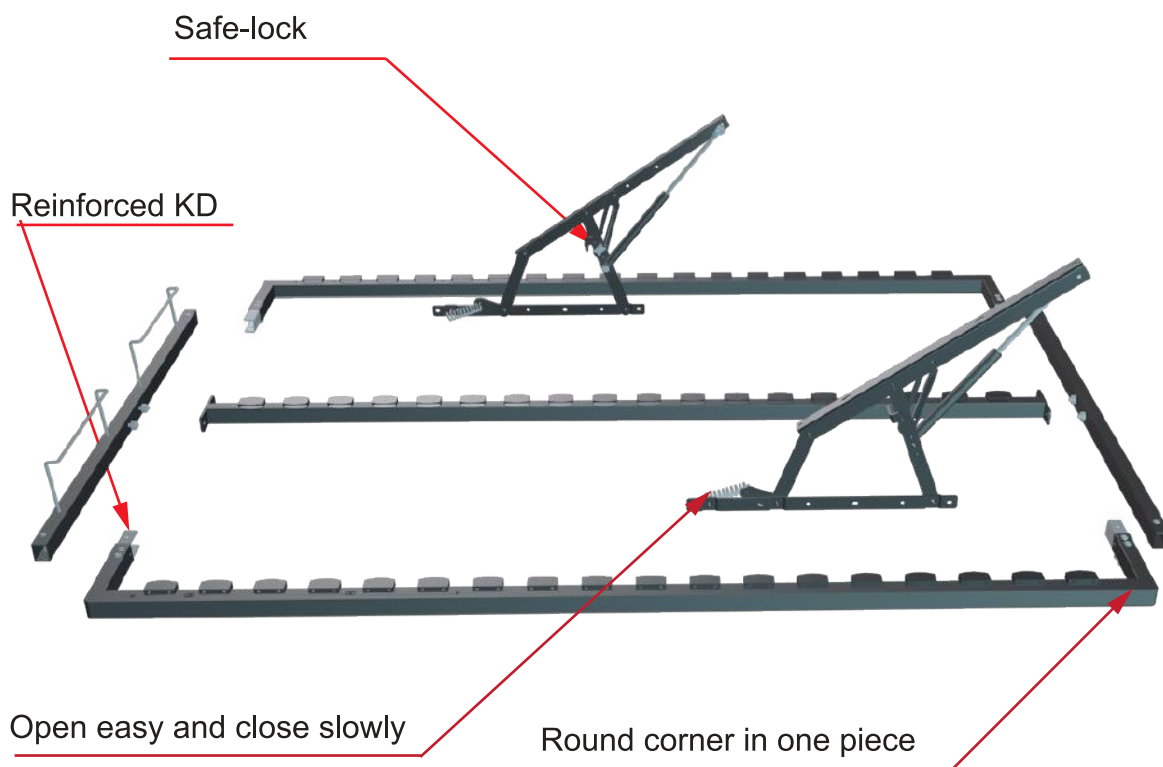
Single Bed Hinge STG003#
转角贵妃位专用铰链STG003#



STORAGE BED-FRAME 贮藏室床框



PATENTED





New technology bed frame design:

The double assistance mechanism is built to lift and close with a single finger. It can avoid issues with lifting too heavy and closing too fast.

Open-lock design prevents children from playing with the mechanism.

Reinforced KD frame design with round corner design to fit the thick mattress.

All in one package which is suitable for Online sales.

采用新技术设计的产品：

- 1、双助力设计，实现手指轻松打开和关闭，避免打开太重和关闭太快产生的风险。
- 2、打开后自锁设计以防止小孩玩耍时把小孩关在里面的风险。
- 3、加强型KD和圆角设计以满足厚床垫的要求。
- 4、所有配件可一箱包装，以满足网络平台销售的需要。

Size	CM	INCHES	Qty/40HQ
Twin size	991x1905	39x75	700
Full size	1372x1905	54x75	700
Queen size	1524x2032	60x80	650
East. King	1930x2032	76x80	600
Cal. King	1829x2134	72x84	600

ZERO Gravity 1501# 零重力1501#



Zero Gravity Position
太空零重力姿



SC155B
重力智能控制键



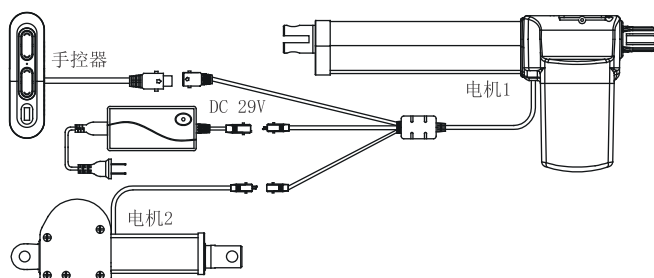
PATENTED



I 零重力躺椅是公认的最佳休闲放松椅，在身体接触靠背和坐垫之间实现一种最舒适的平衡姿势，卸除疲劳不堪的负荷。II 本产品有“三个零重力姿”，这些功能在放松身体的同时，有助于身体健康和快速从疲劳中恢复身体能量。III 坚固的伸展腿部设计实现50公斤以上的承重力（常规功能产品是15公斤）IV 采用坚固、耐用和稳定的焊接结构。V 采用垫片和衬套方式实现静音、流畅和长使用周期。VI 马达可以分别控制，通过点动实现您需要的各种姿势。VII 靠背KD设计方便打包和运输。VIII 坐框架可以独立提升起来提高组装效率。

It is a real Zero Gravity recliner mechanism, "Backrest" and "Seat cushion" recline together for real comfort, smoothness and safety. Optimal for extended footrest.

这是真正的零重力功能架，靠背和座垫是联动的，以确保舒适、平稳和安全。可选配如图中所示的加长搁脚。

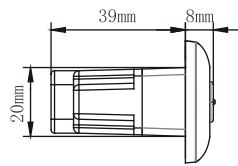
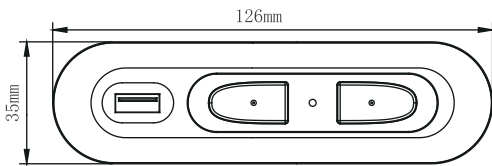


1501# Features & Benefits

It is a real Zero Gravity recliner mechanism. The backrest and Seat cushion provide real comfort, smoothness and safety. The footrest can be extended as an option.

- (1) Zero Gravity recliner is widely regarded as the best chair for its unique balance of back support and seating comfort.
- (2) Three Zero Gravity positions improve your health and provide fully relaxation, and recover your energy from hard work.
- (3) Rigid structural footrest has more than 50KGS loading capacity.
- (4) Welded frame provides greater side-to-side strength, durability, and stability.
- (5) Silent, smooth and long life cycle with backup plate and bushing approach.
- (6) Fingertip motion control with infinite recline positions.
- (7) Strong K.D. back brackets allow easy back removal for handling.
- (8) Seat frame can be lifted for easy installation.





SC151B

重力智能控制键



电影院
Cinema

Back Motor Specification 272.104
背部马达参数272.104.

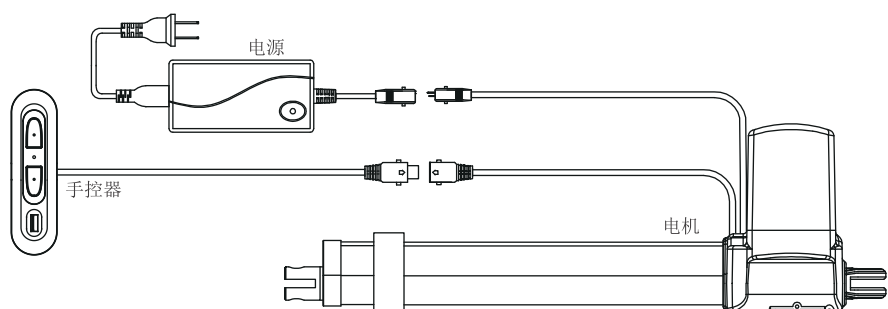
Foot Motor Specification 284.60
脚部马达参数284.60

The heavy-duty footrest is driven directly by a motor preventing damage from frequent usage such as in the cinema.

The footrest is controlled by a Smart switch button. Once the loading weight is exceeded the loading limit, the motor will stop to avoid damage to the mechanism or motor.

由于总有人在电影院里去座搁脚导致电影院椅反复损坏，本产品采用重型搁脚和马达直接驱动，这样可以承受重量避免院椅直接损坏。

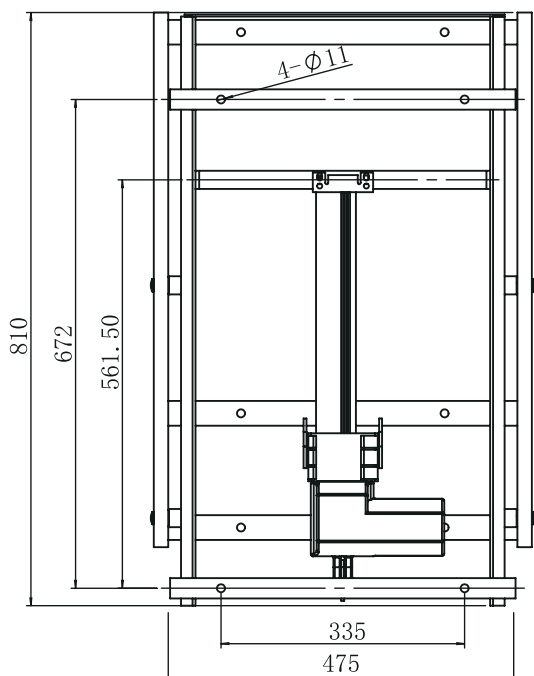
另外，搁脚马达采用了智能超重控制，如果重量超过设定的重量马达会自动切断，这样可以有效地保护铁架和马达。



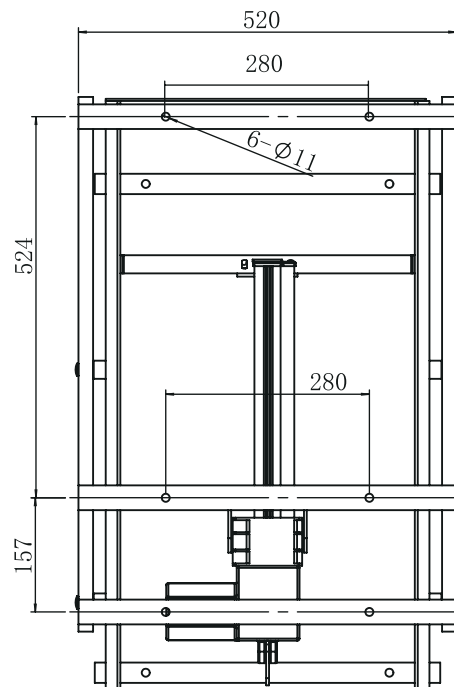
SEAT SLIDER MECHANISM 座垫滑轨

We have two series for this category. One is a single seat with an optional backrest function. The other series is the super wide system like queen-size or king-size sofa.

此类别中我们有二个系列，一个是窄系列且可以选配靠背功能，另一个是超宽系列并直接应用于Queen/King等多人位沙发。



Base Frame Dimensions



Top Frame Dimensions



SLD520M1

Fixed Backrest



SLD520M2

With Backrest Function Added

PATENTED



SLW000#

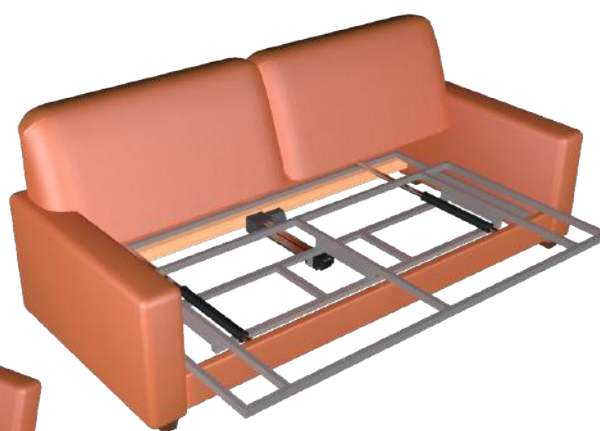
PATENTED

Mounting width

160cm (SLW160#)

180cm (SLW180#)

200cm (SLW200#)



Interaction brings closeness!

一起互动只为更加亲近!

The key feature of the product is it opens flatly, but creates the perfect seating angle when it is closed.

Everything is controlled by a single motor.

产品特点是水平展开，关闭形成座垫角度，实现完美的座感。

以上产品只需要单马达控制。

Corner SEAT MECHANISM 转角位功能架

1. Model 888#

PATENTED

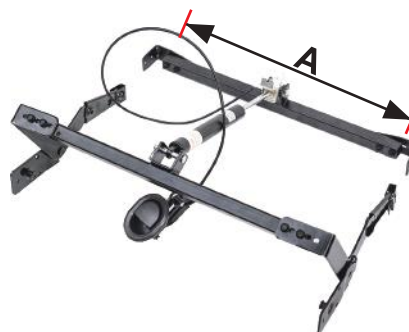
Mounting Width 740mm



No need to put your foot on the table to relax after a hard day of work. it provides real ease.
普通功能沙发只是实现休闲的功能，当你真的累的时候需要的是放松而不是休闲。下班回家你一定是十分劳累了，但再也不需要把脚搁到桌子上了！

2. Model 125#

From sitting upright to 59 degrees rotated.
从坐姿到躺姿共旋转59角度。



Model	Mounting Space	Size A	Size A
125-1840	21-23"	18.40"	467mm
125-2040	23-25"	20.40"	518mm
125-2446	27-29"	24.46'	621mm
125-2915	31-33"	29.15"	740mm

3. Model SFL000#

PATENTED

Sitting & TV& Full Reclining.
从坐姿到休闲躺姿。



Model	Frame Width	Frame Length
SFL550	550mm	1332mm
SFL650	650mm	1332mm
SFL700	700mm	1332mm
SFL800	800mm	1332mm

4. Model SFL000X# **PATENTED**

Sitting & Reclining & Lying-down
从座姿到休闲躺姿和床姿。



Your favorite Seat for Watching TV, reading, and sleeping.

这是你心爱的宝座！
学习娱乐还是躺平，随心所欲！

5. Model ADB000# **PATENTED**

Sitting & Reclining & Zero Gravity & Lying-down
从座姿到休闲升降姿（电动床姿）和床姿。



The best place to watch TV and relax.

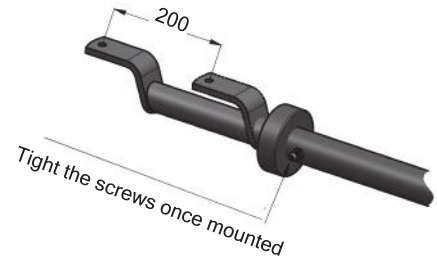
这是客厅中减压恢复体能和娱乐的最佳姿势！

SWIVEL CHAIR BASE 转椅底盘



Cuddle Base SP000# PATENTED

Model	Ring Diameter	Mini Mounting Size (mm)	Max Mounting Size (mm)	Qty/20GP
SP001	24"	706	1106	580
SP002	28.5"	820	1220	540
SP003	34"	960	1360	440
SP006	40"	1112	1512	360



I 500磅SGS疲劳测试。II 用于双人浪漫旋转或为了优美的午睡。III 一起旋转时营造彼此之间浪漫的氛围。IV 在一定程度上激发和养成相互之间的亲近感。V 难得一个人的时候可以用它消磨时光或者在上面睡一个懒觉而不会深度睡眠耽误事情。VI 在负荷状态下运行平稳而且安静。

拖着疲惫的身体回到家里的时候，情侣转椅给你亲情和放松的心情。一起与家人营造互动和浪漫的亲情时光，也可以抱着宠物在上面睡个小觉，休闲自在。

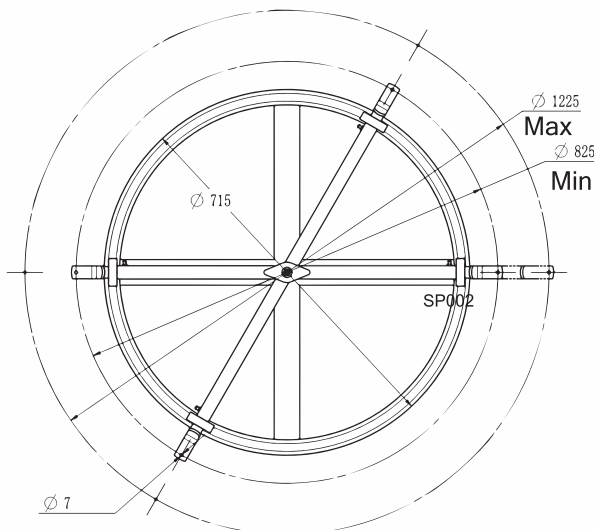
Features & Benefits

- (1) SGS cycles test with 500lbs of weight.
- (2) Designed for a loveseat.
- (3) It evokes the feeling of romance and coziness.
- (4) The round shape of the chair creates a bit of an enclosure and encourages closeness.
- (5) If you're spending the night or weekend alone, it is the perfect place for a nap.
- (6) Quiet and smooth rotation.

Romance 浪漫

Mounting brackets need face down for balance

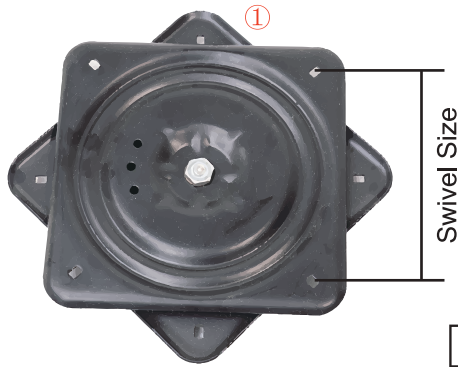
安装板向下确保双人转椅平衡不倾展



Wooden frame should be empty to avoid interference between wheels and wooden frame to protect the life of wheels.

木架中间镂空以防止胶轮与木架干涉影响胶轮的工作。





Swivel Ring Base

	Model	Description
①	ZP10	Size 10" 360 degree
②	ZP8R	Size 8" Return
③	ZP6	Size 6" 360 degree

Features & Benefits

I 采用预压转盘技术。II 10"360度旋转盘经过225磅12万次测试。III 不同尺寸的转盘圈满足不同的用途需要并实现耐用和旋转流畅的目的。IV 转圈可以与10"和8"转盘组装。V 24和25 1/2 寸转圈常与功能铁架配套。VI 转盘同时采用了加强筋和折边技术。VII 钢管制作的转圈运行平稳并有塑料脚垫保护地面。

- (1) Pre-pressed design operates well in load state.
- (2) ZP10 tested 120,000 cycles under 225lbs.
- (3) Different size swivels and ring bases are available for different usage purposes and ensure durability and smooth rotation.
- (4) Ring base can be assembled with 10" and 8" swivels.
- (5) 24" and 25 1/2" swivel ring bases are commonly combined with recliners.
- (6) Rib reinforced and edge folded swivel for heavy duty.
- (7) Stable steel tubular ring base with protective floor glides.



	Model	Description and Size
⑤	Flat Base	22/24/25.5/27/34/42"
⑥	Curved Base	22"only

Model	ZP06	ZP10	RNBS22C	RNBS22	RNBS24	RNBS255	RNBS27	RNBS34	RNBS42
Size	6"	10"	22" Curved	22"	24"	25.5"	27"	34"	42"
Qty/20GP	6000	5100	1440	2300	2000	1920	1500	1000	700
Specification	6" Swivel	10" Swivel	10" Swivel Plus 22-42" Ring Base						