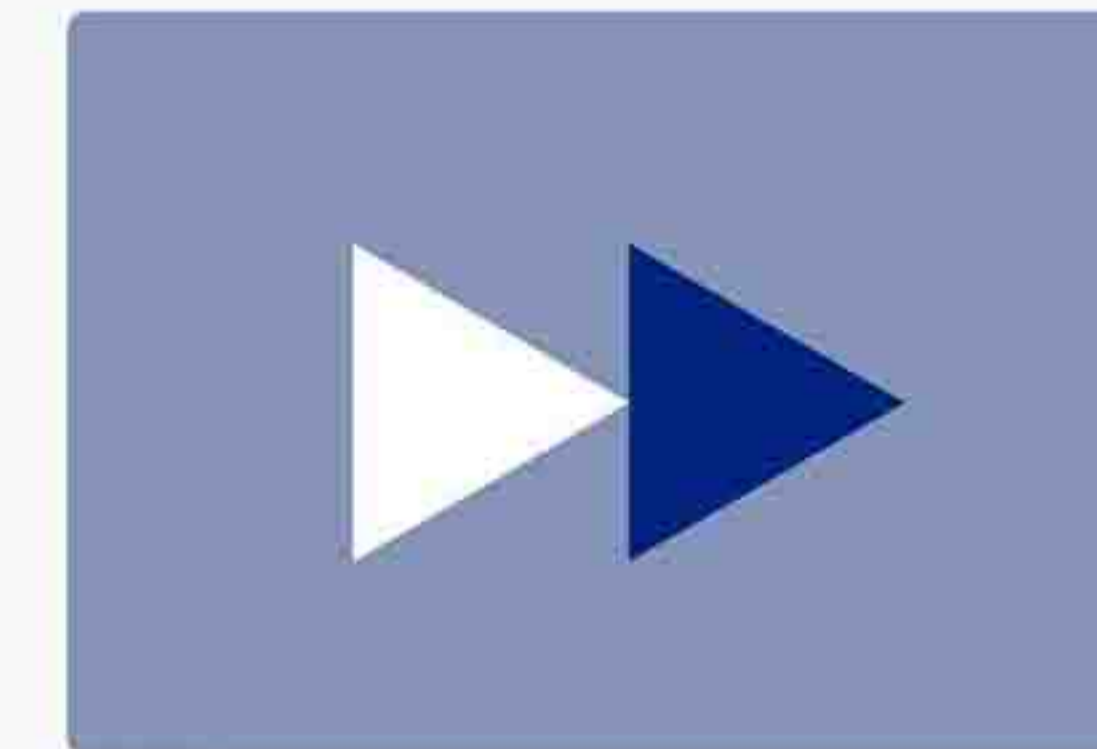


中国冷弯成型机专业制造商



CHINA PROFESSIONAL ROLL FORMING MACHINE MANUFACTURER

中国冷弯成型机专业制造商



广州标控自动化设备有限公司

GUANGZHOU KINGREAL MACHINERY CO., LTD

TEL:020-22378256

Email:sales@kingreal.org

Phone/Whatsapp:+86 137 0285 5825

Add:2105A Lai Fung Tower,761 Dong Feng Road East, Guangzhou City,China

Web:www.roll-former.com www.kingreal.org



PROFESSIONAL



PEOPLE



PRECISION

GUANGZHOU KINGREAL MACHINERY CO., LTD

广州标控自动化设备有限公司

ABOUT US

关于我们

GUANGZHOU KINGREAL MACHINERY CO., LTD is a manufacturer of cold roll forming machine in China, which integrates R&D, production, sales and after-sales service.

KINGREAL owns international advanced technology and equipment, and is committed to provide customers with high quality products and services, with **ISO9000 quality system** management capabilities, production equipment has passed ISO9000 certification. Meanwhile, we have a professional technical team with more than **25 years** of relevant experience from drawing design to machine manufacturing.

Featured products including **Light Steel Keel Roll Forming Machine, Warehouse Equipment, Roof Tile Forming Machine, Air Duct Machine, Customized Roll Forming Machine, and Metal Ceiling Forming Machine.**

Currently, KINGREAL has successfully transported machines all over the world, including **Russia, United Arab Emirates, India, Saudi Arabia, Egypt, Holland, Greece and Chile, etc.** KINGREAL is looking forward to building long term and stable relationships with our customers all over the world with our professional competence and continuous service level.

Welcome to choose **KINGREAL!**

GUANGZHOU KINGREAL MACHINERY CO., LTD 是中国一家集研发、生产、销售和售后于一体的金属冷弯成型机设备制造商。

KINGREAL拥有国际先进的技术和设备，致力于为客户提供优质的产品和服务，生产设备已通过**ISO9000认证**，具备ISO9000质量体系管理能力。同时拥有一支专业的技术团队，从图纸设计到机器制造都有超过**25年**的相关经验。

特色产品包括**轻钢龙骨机、仓储设备、瓦机系列、风管系统、定制化成型机、金属吊顶成型机**等。

目前，KINGREAL已成功将机器运输到世界各地，包括**俄罗斯，阿拉伯联合酋长国、印度、沙特阿拉伯、埃及、荷兰，希腊和智利**等国家。KINGREAL期待以我们的专业能力和持续的服务水平与世界各地的客户建立长期稳定的关系。

欢迎选择**KINGREAL!**





100+

Technical talents
技术人才



25+

YEARS

Production experience
生产经验



30+

Invention &
utility model patents
发明和实用新型专利









PRODUCT CATALOG

产品目录

▶ LIGHT STEEL KEEL MACHINE / 龙骨成型机

- DRYWALL STUD & TRACK MAKING MACHINE / 宽窄龙骨机
- T BAR CEILING ROLL FORMING MACHINE / T字龙骨机
- CEILING CHANNEL ROLL FORMING MACHINE / 轻钢龙骨机
- LGS FRAMING HOUSE FORMING MACHINE / 轻型钢框架房屋机
- CZ PURLIN MACHINE / CZ檩条机

▶ WAREHOUSING MACHINE / 仓储设备

- METAL SHELF ROLL FORMING MACHINE / 货架板成型机
- UPRIGHT POST ROLL FORMING MACHINE / 立柱成型机
- BOX BEAM ROLL FORMING MACHINE / 箱梁成型机
- STEP BEAM ROLL FORMING MACHINE / 阶梯梁成型机
- WALL ANGLEPROFILES ROLL FORMING MACHINE / 角钢成型机
- STEEL PATTET FORMING MACHINE / 钢托盘成型机

▶ ROOF TILE MACHINE / 瓦机系列

- GLAZED ROOL TILE ROLL FORMING MACHINE / 琉璃瓦成型机
- DOUBLE LAYER ROOF TILE ROLL FORMING MACHINE / 双层瓦成型机
- CORRUGATED ROOF TILE ROLL FORMING MACHINE / 波形瓦成型机

- DOWNPIPE ROLL FORMING MACHINE / 落水管成型机
- STEEL GRAIN SILO FORMING MACHINE / 谷仓成型机
- GUTTER ROLL FORMING MACHINE / 水槽成型机

▶ AIR DUCT MACHINE / 风管系列

- VCD FRAME ROLL FORMING MACHINE / 风阀成型机
- TDC FLANGE ROLL FORMING MACHINE / 法兰成型机
- AIR DUCT PRODUCTION LINE / 风管成型机
- VCD FRAME BLADE ROLL FORMING MACHINE / 叶片成型机

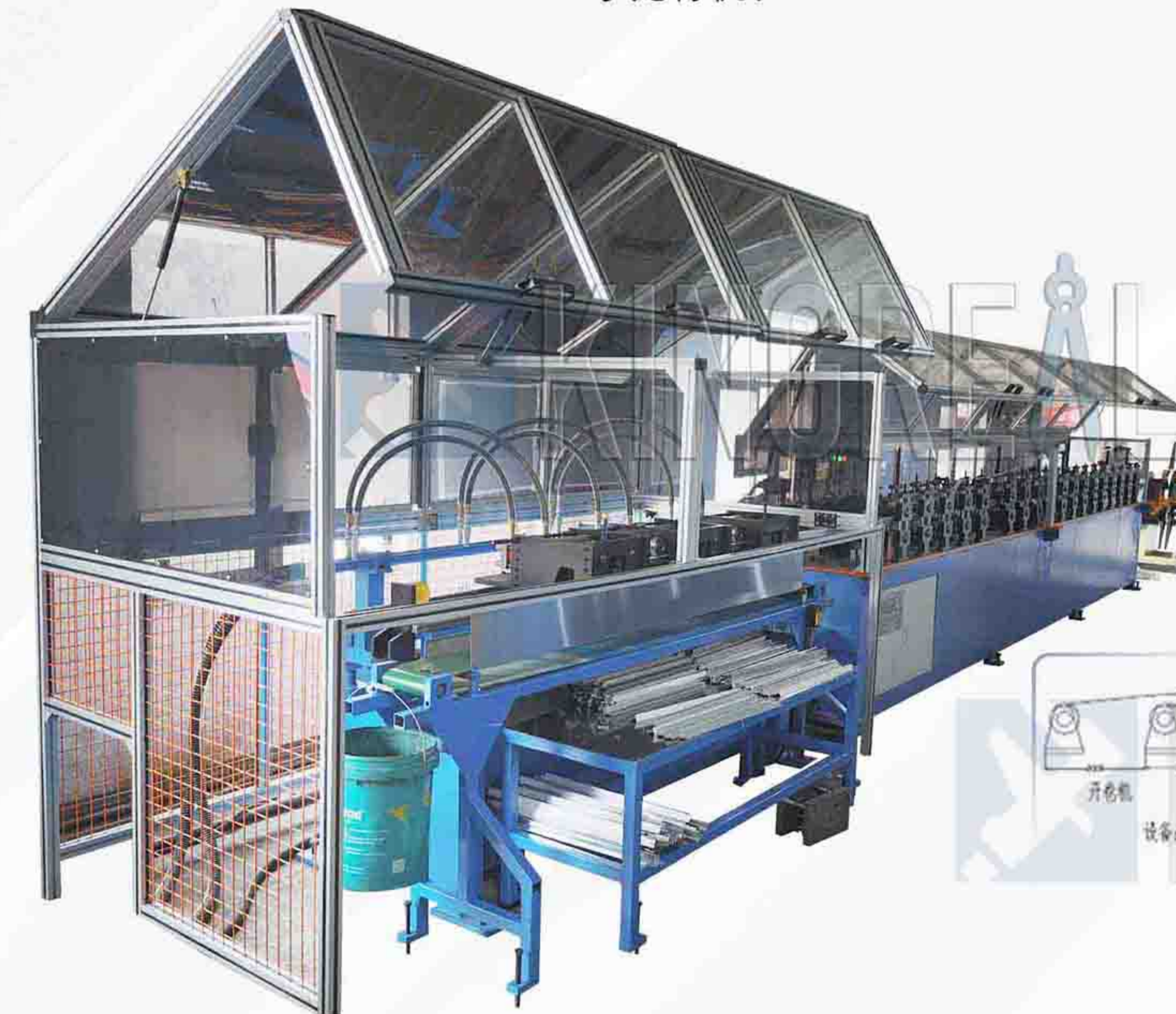
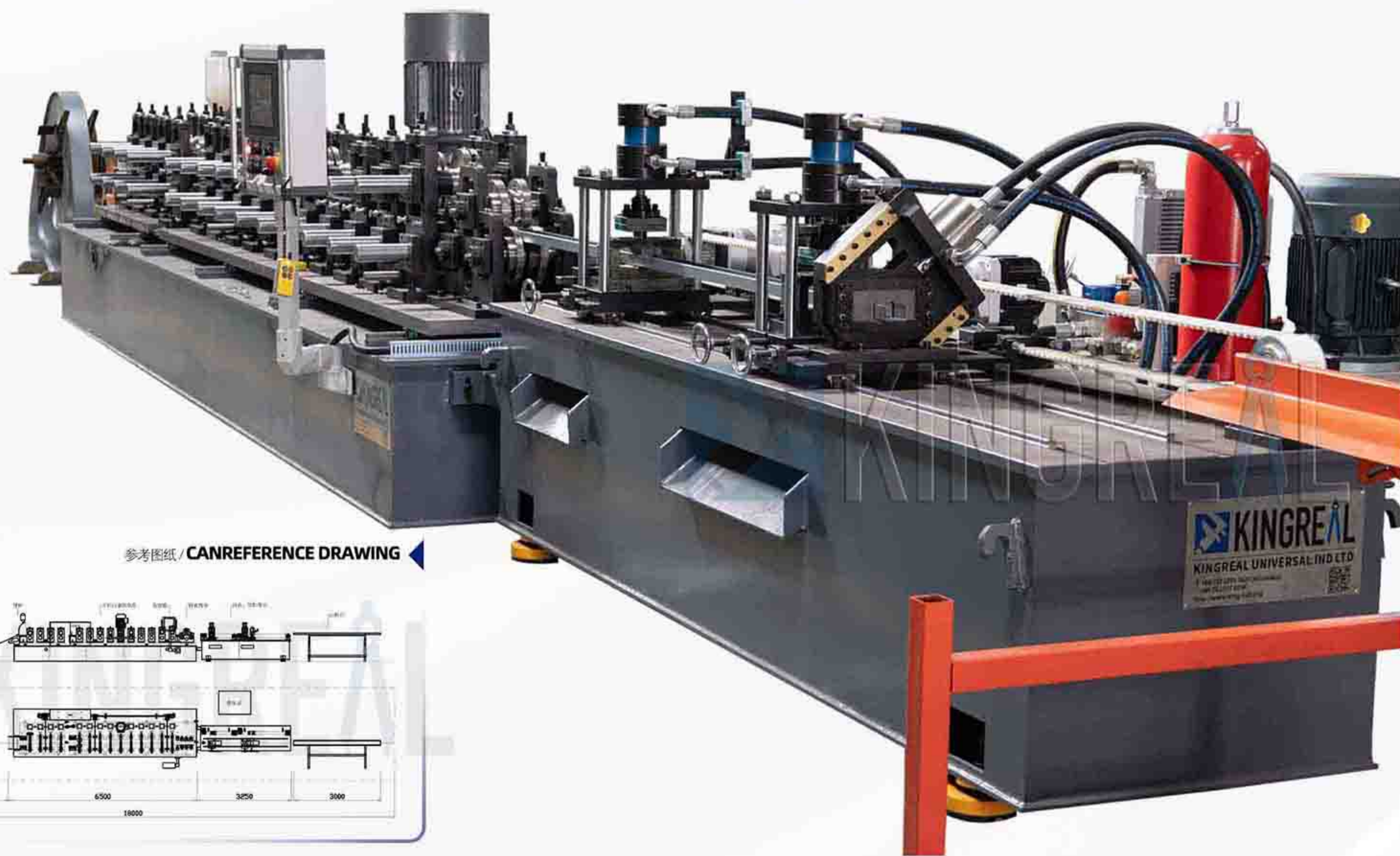
▶ CUSTOMIZATION MACHINE / 定制化成型机

- CABLE TRAY ROLL FORMING MACHINE / 电缆桥架成型机
- STRUT CHANNEL ROLL FORMING MACHINE / 光伏支架成型机
- HIGHWAY GUARDRAIL ROLL FORMING MACHINE / 高速公路成型机
- SOUND BARRIER ROLL FORMING MACHINE / 高速公路吸音板成型机
- SCAFFOLDING WALK BOARD ROLL FORMING MACHINE / 脚手架成型机
- ROLLING SHUTTER DOOR ROLL FORMING MACHINE / 卷闸门成型机

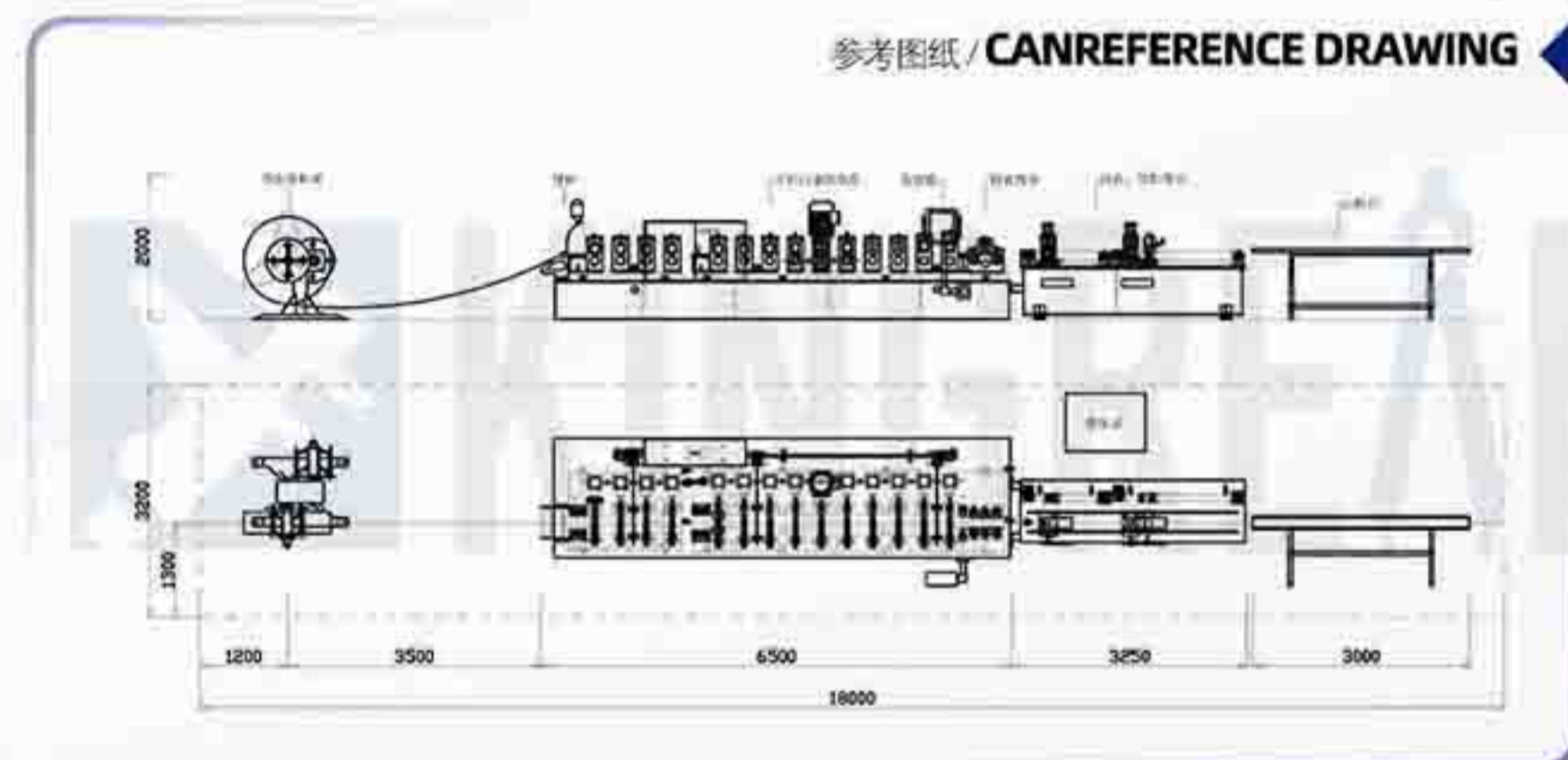


► **DRYWALL STUD & TRACK MAKING MACHINE / 宽窄龙骨机**

T字龙骨机 / T BAR CEILING ROLL FORMING MACHINE ◀



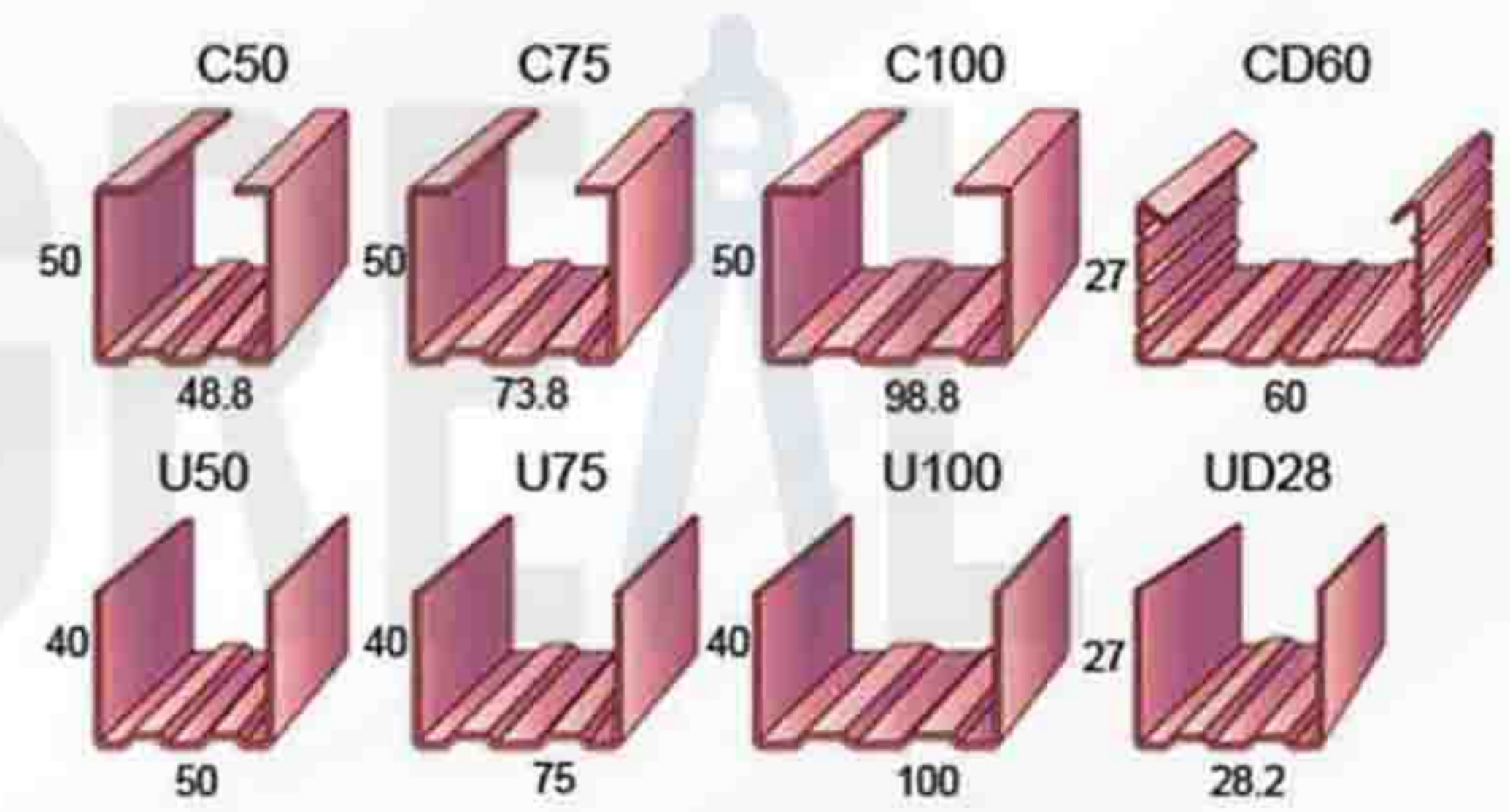
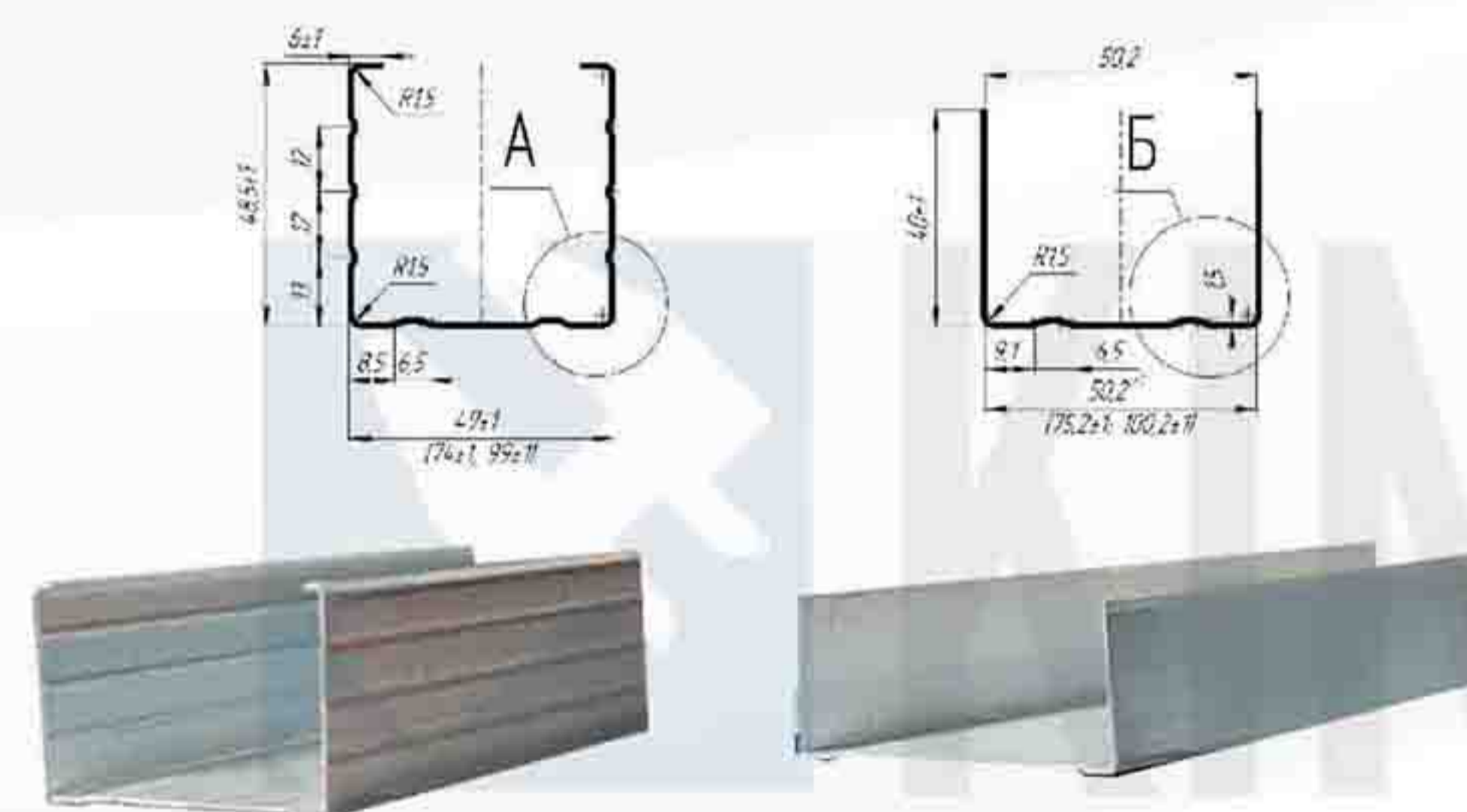
参考图纸 / CANREFERENCE DRAWING



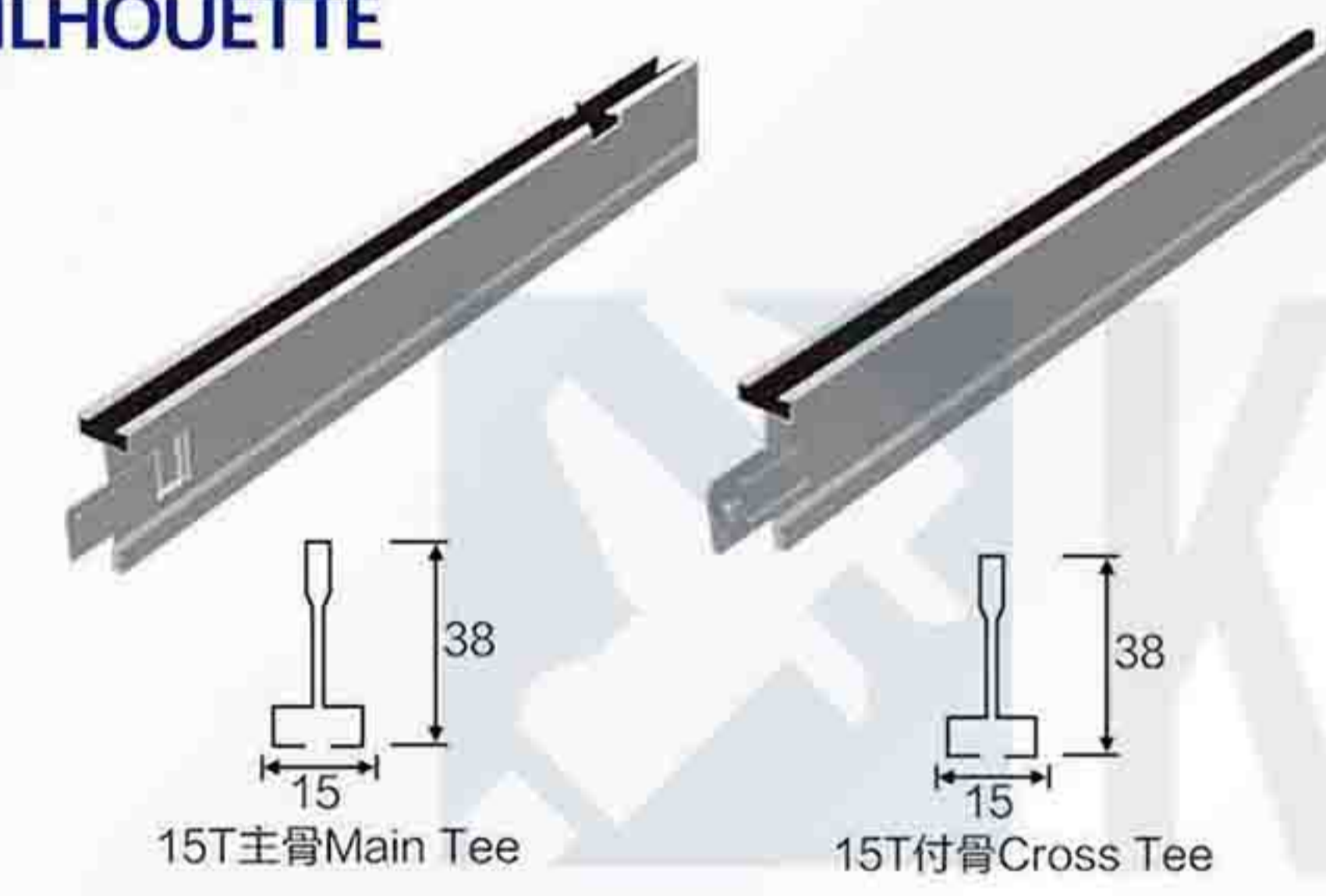
参考图纸 / CANREFERENCE DRAWING



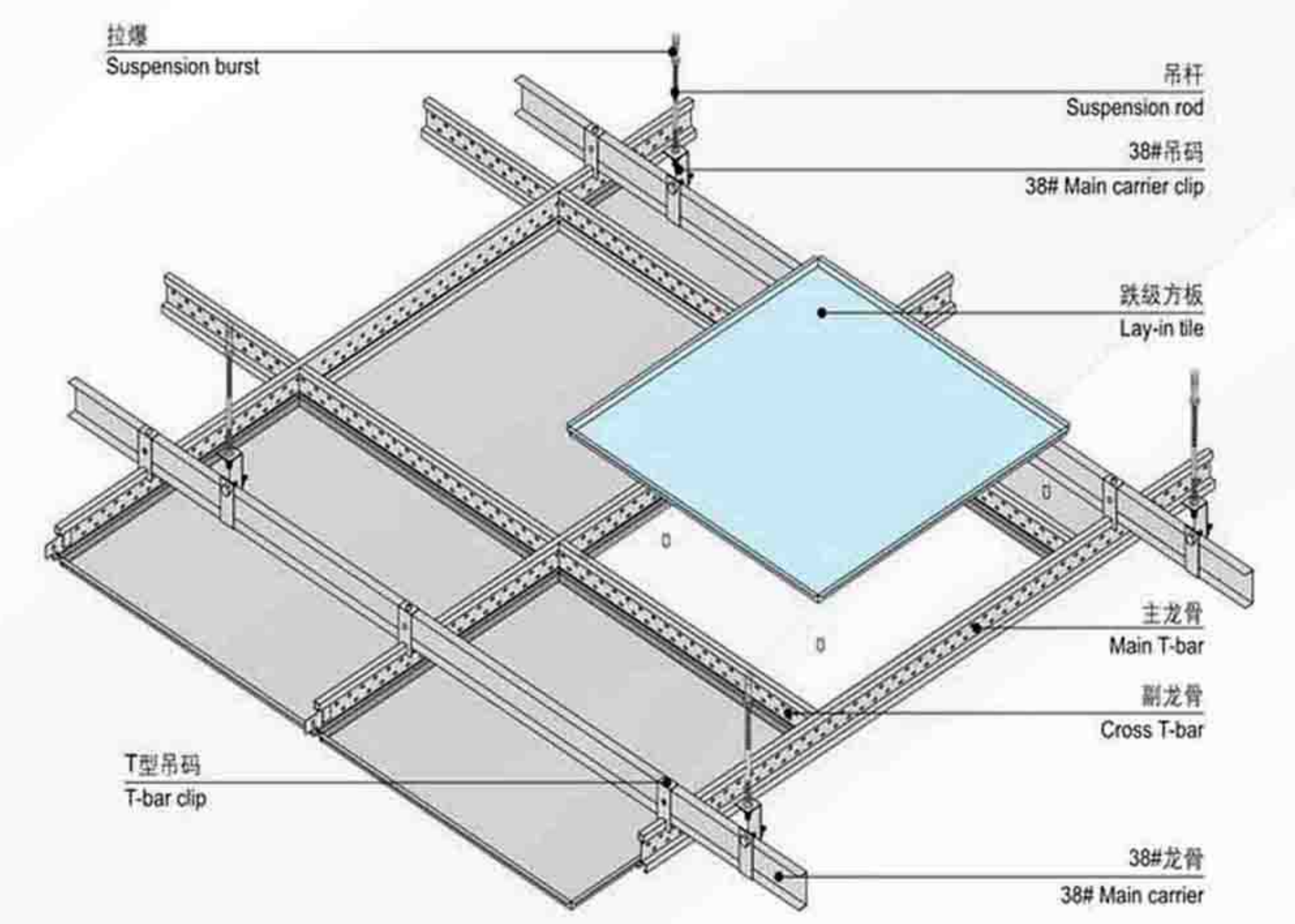
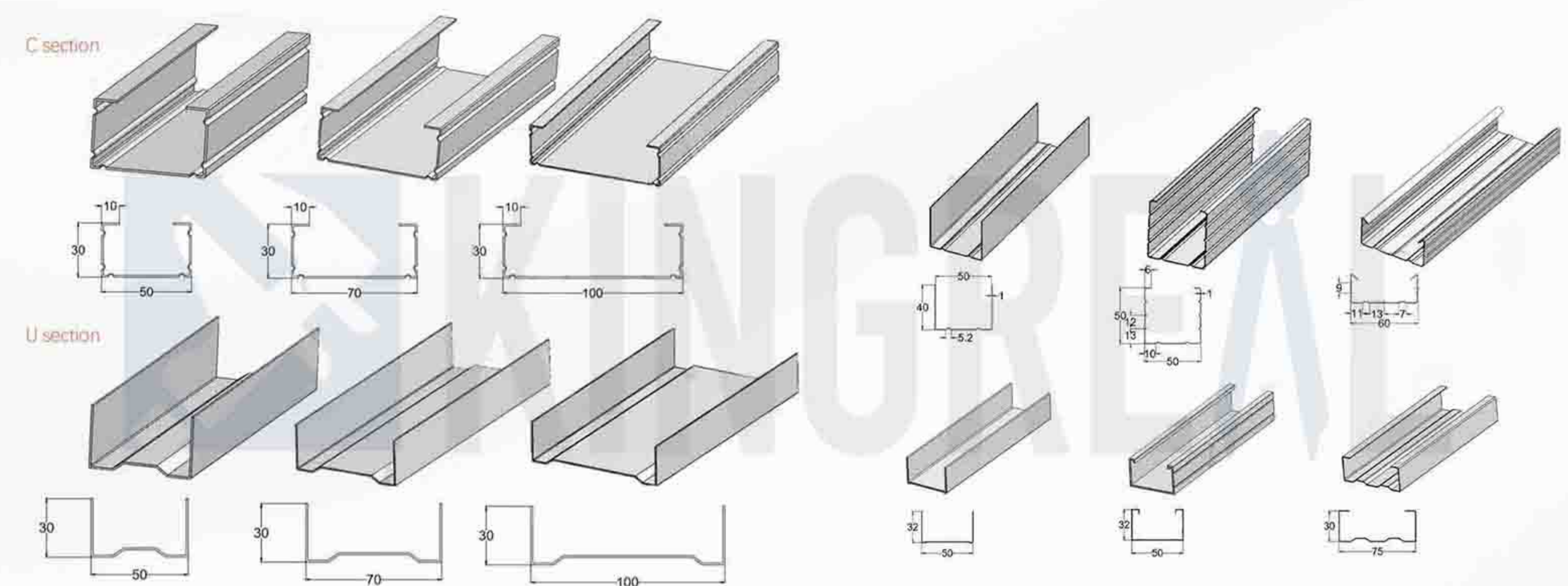
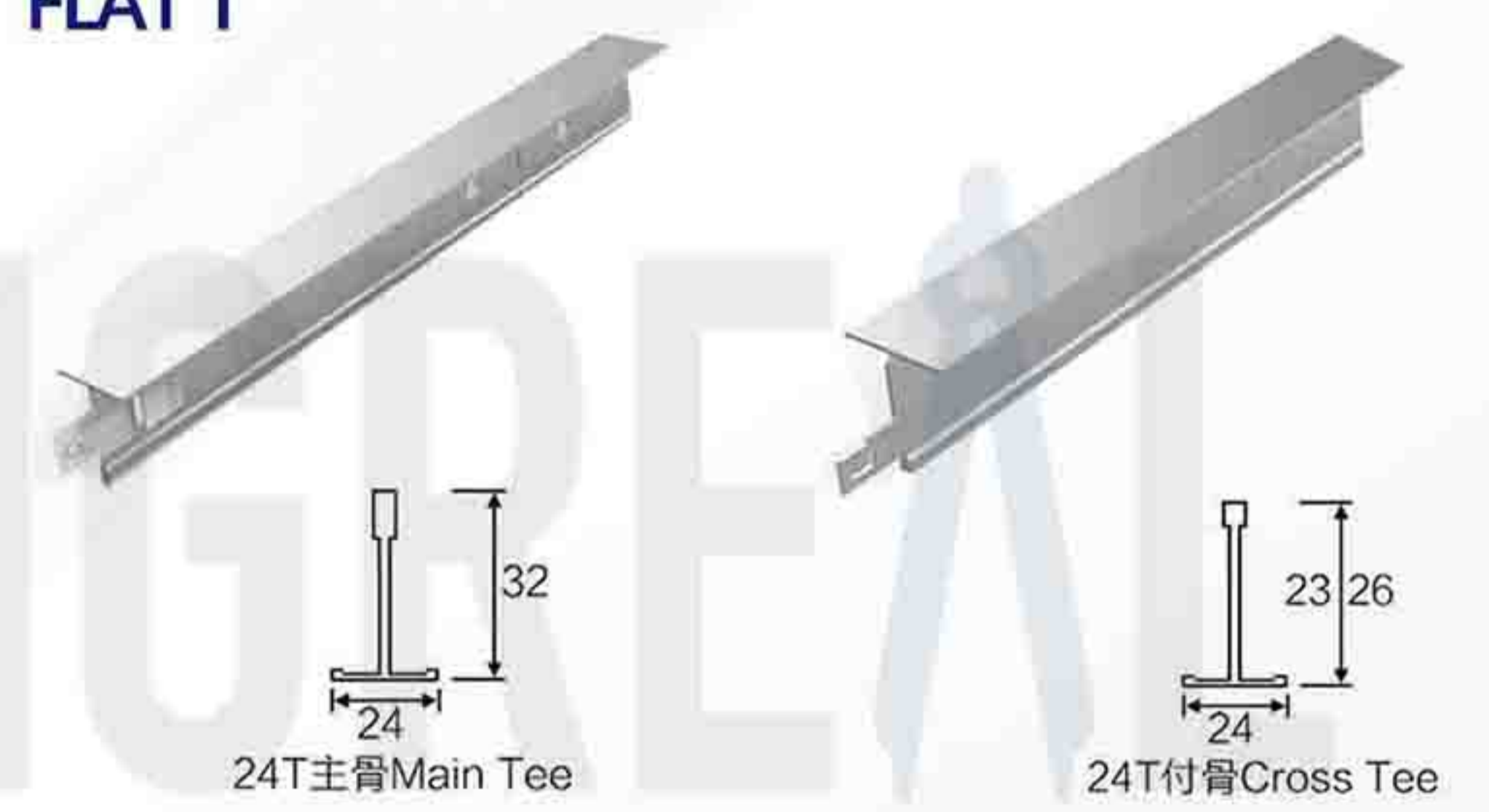
INSTALLATION DRAWINGS



SILHOUETTE



FLAT T



CEILING CHANNEL ROLL FORMING MACHINE / 轻钢龙骨机

轻型钢框架房屋机 / LGS FRAMING HOUSE FORMING MACHINE



REFERENCE DRAWING

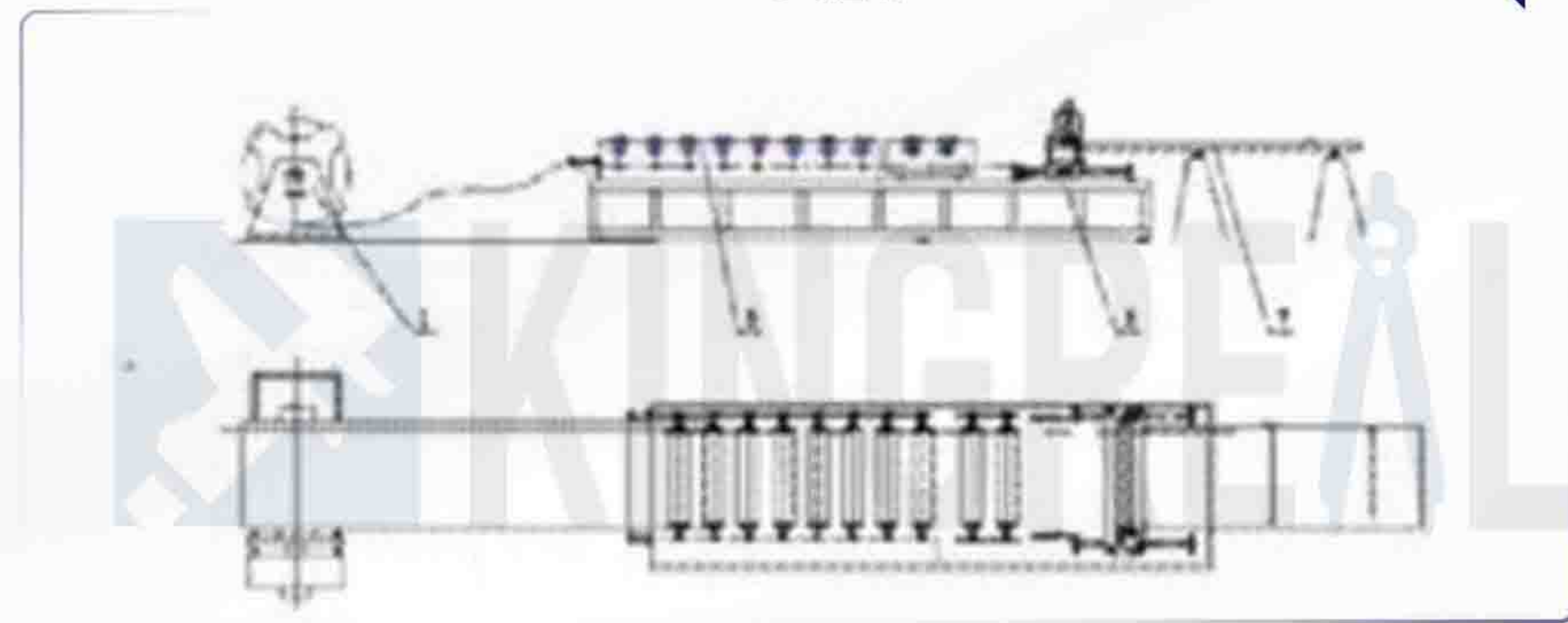


MATERIAL	MATERIAL THICKNESS	TOTAL POWER	SPEED
GI STRIP	0.4MM-1.3 MM	~ 18.5 KW	90-120M/MIN

WALL ANGLE PROFILES

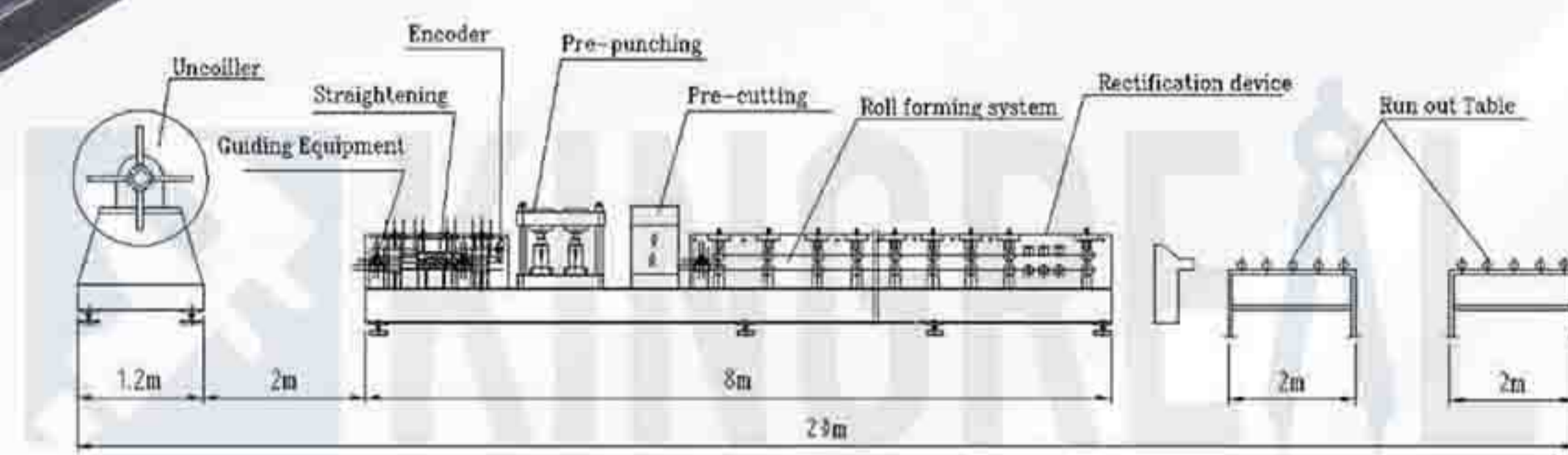
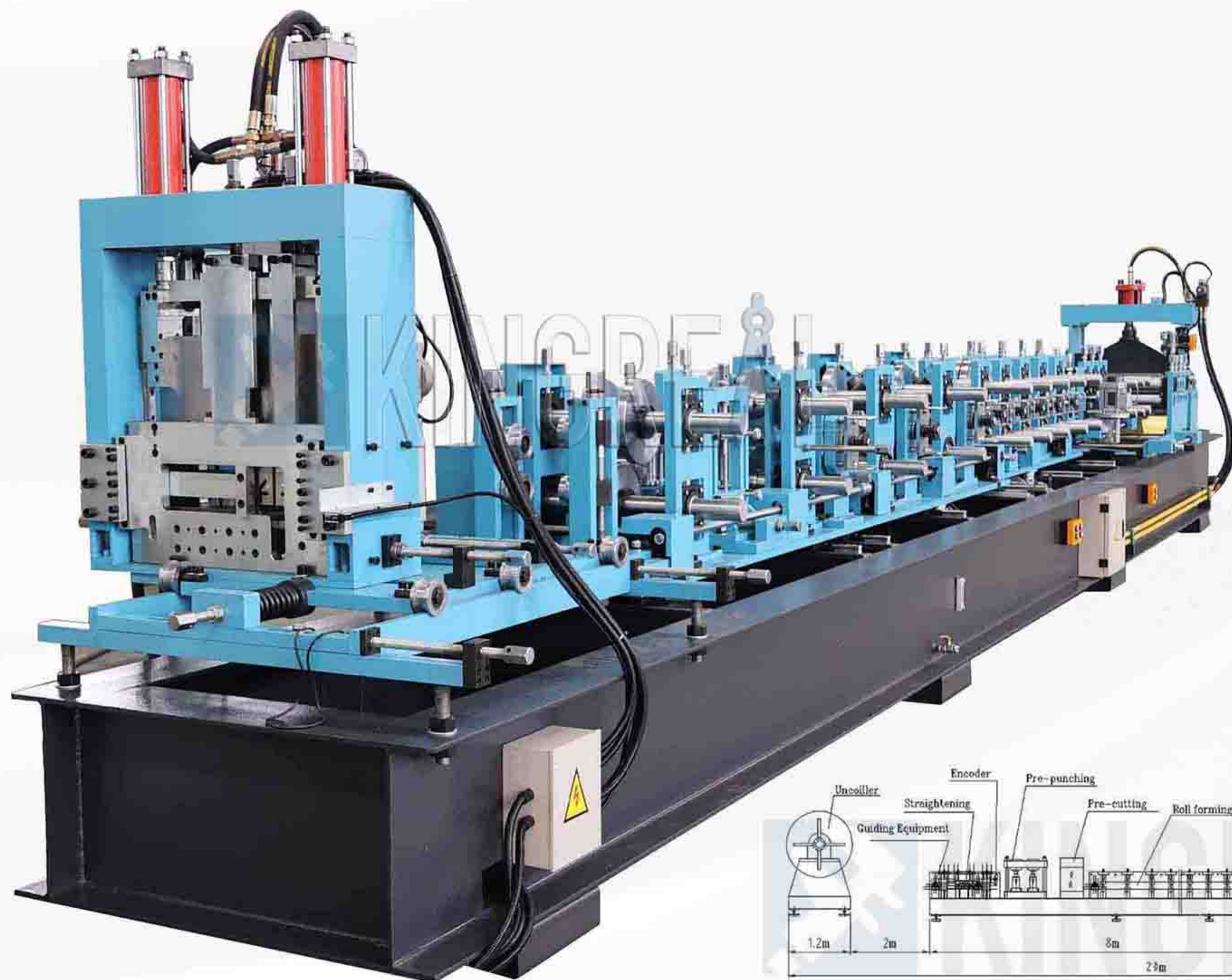
Wide Wall Angle	Slim Wall Angle	W Type Wall Angle	Groove Wall Angle
3000mm*22mm*22mm	3000mm*22mm*14mm	3000mm*25mm*21mm	3000mm*22mm*14mm

参考图纸 / **REFERENCE DRAWING**

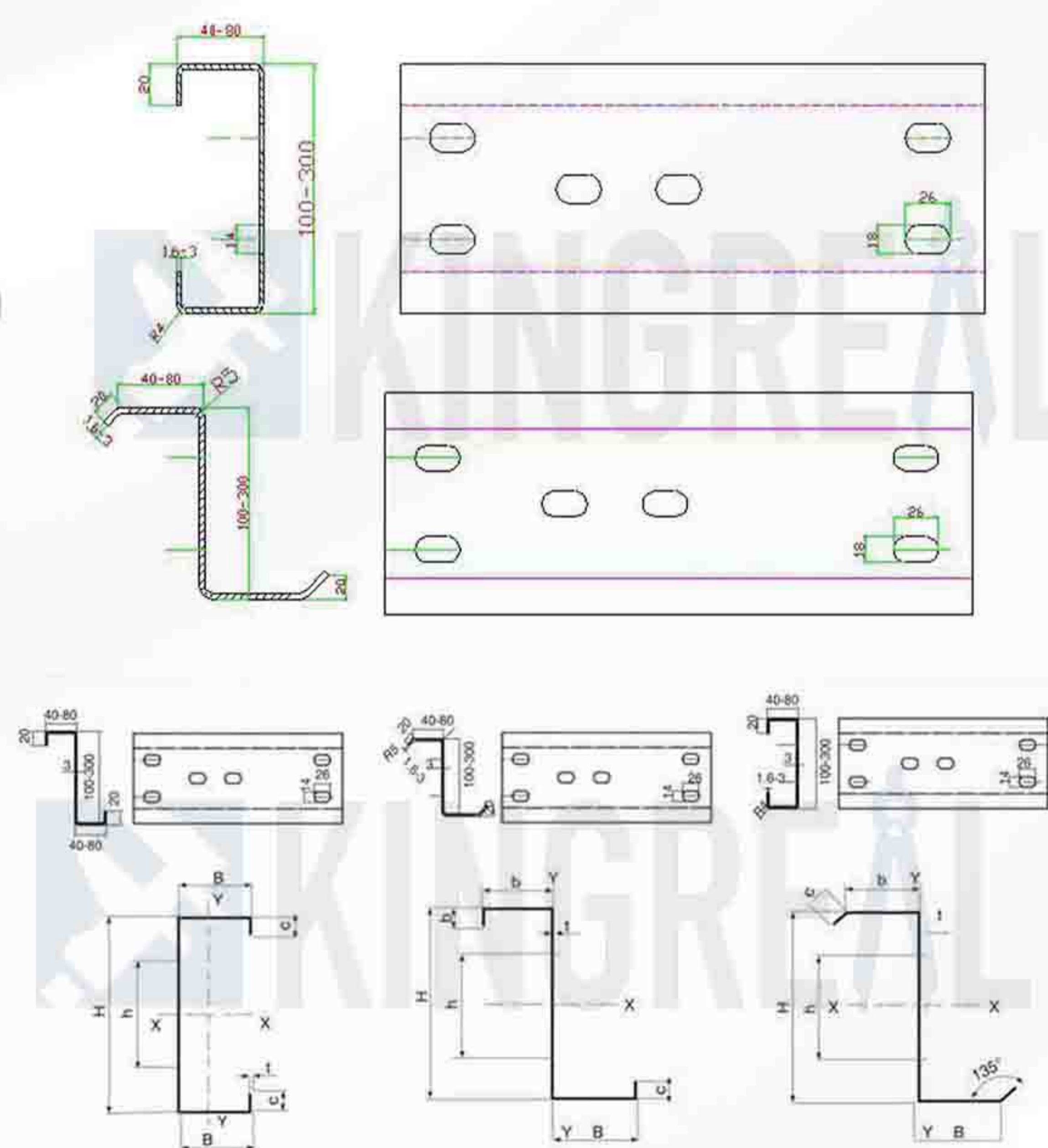
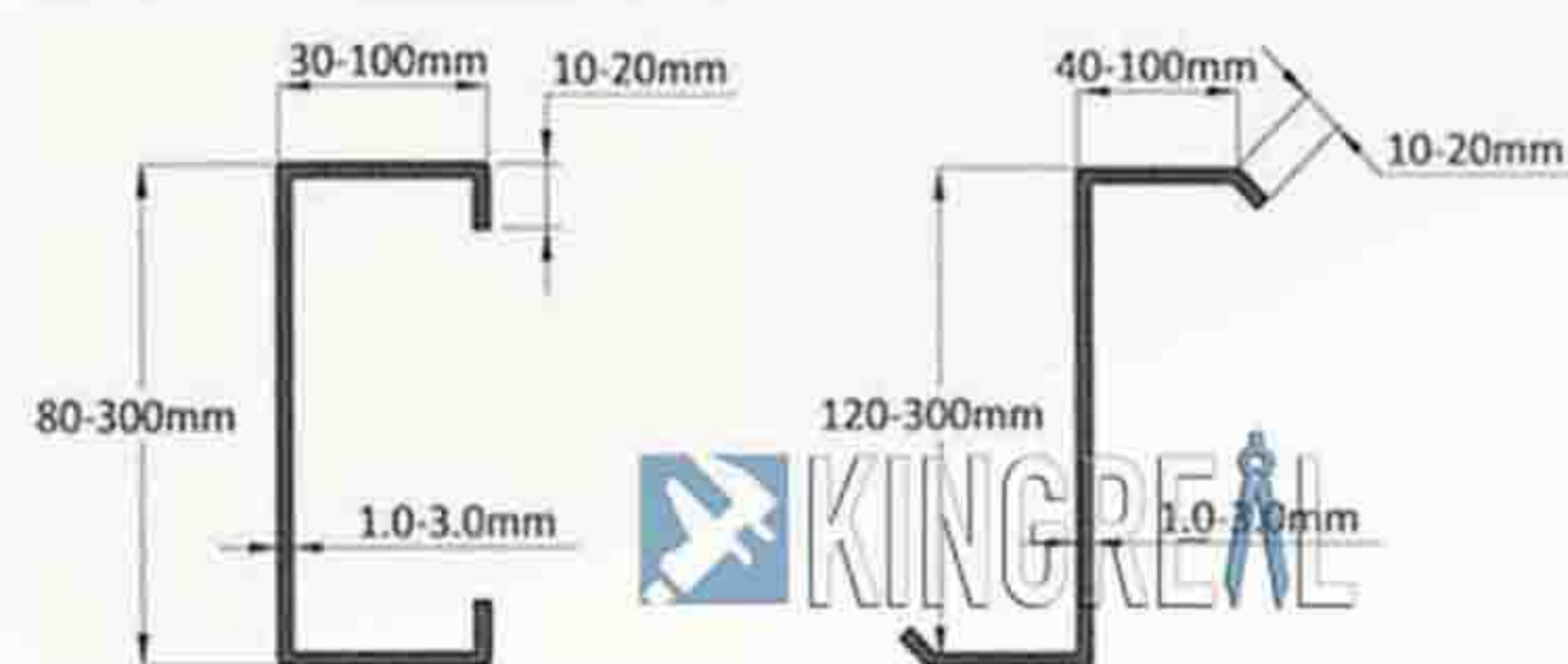
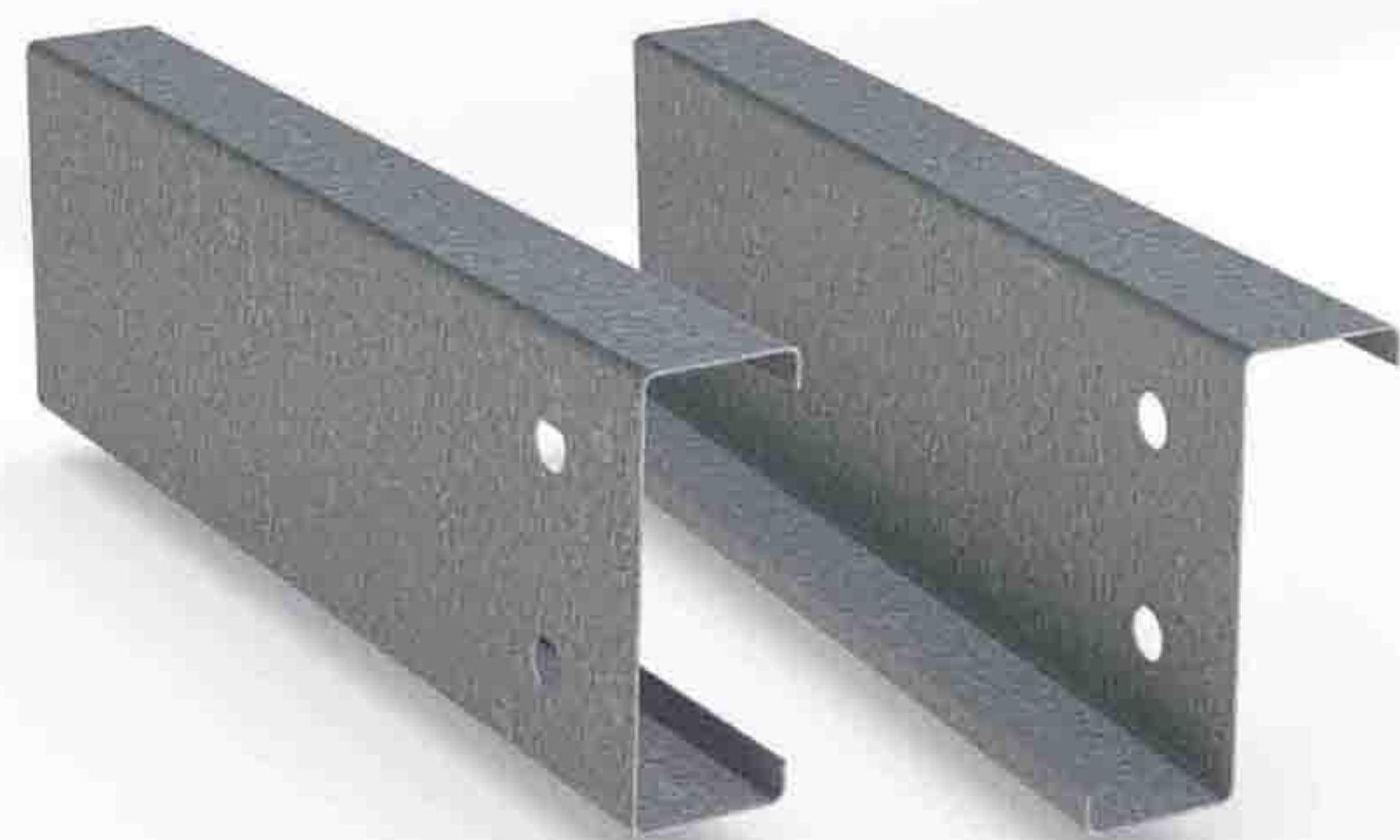


► CZ PURLIN ROLL FORMING MACHINE / CZ檩条机

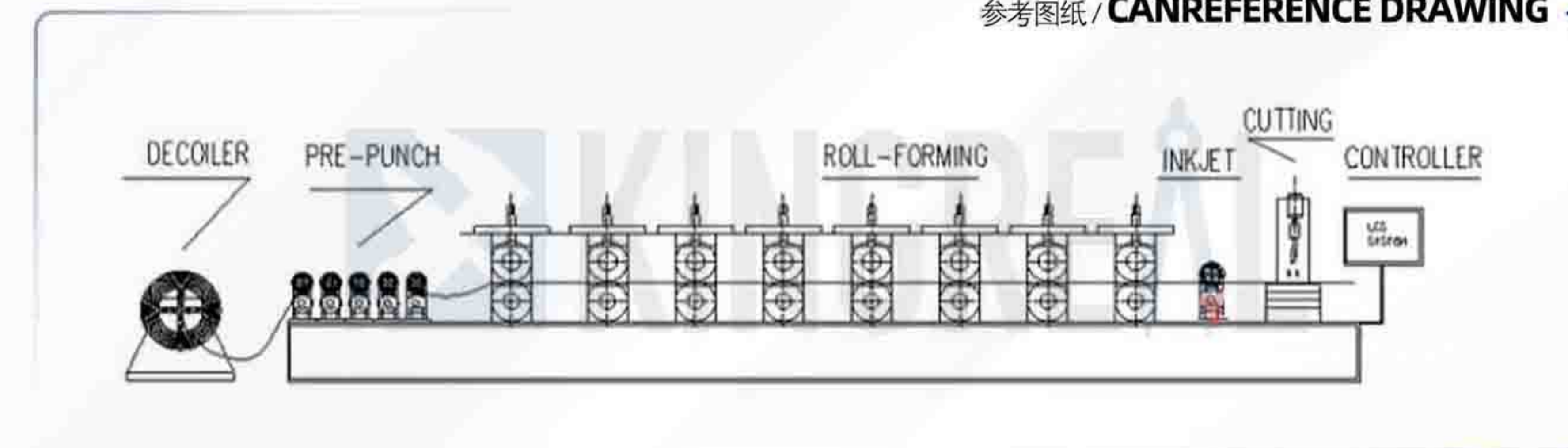
轻型钢框架房屋机 / LGS FRAMING HOUSE FORMING MACHINE ◀



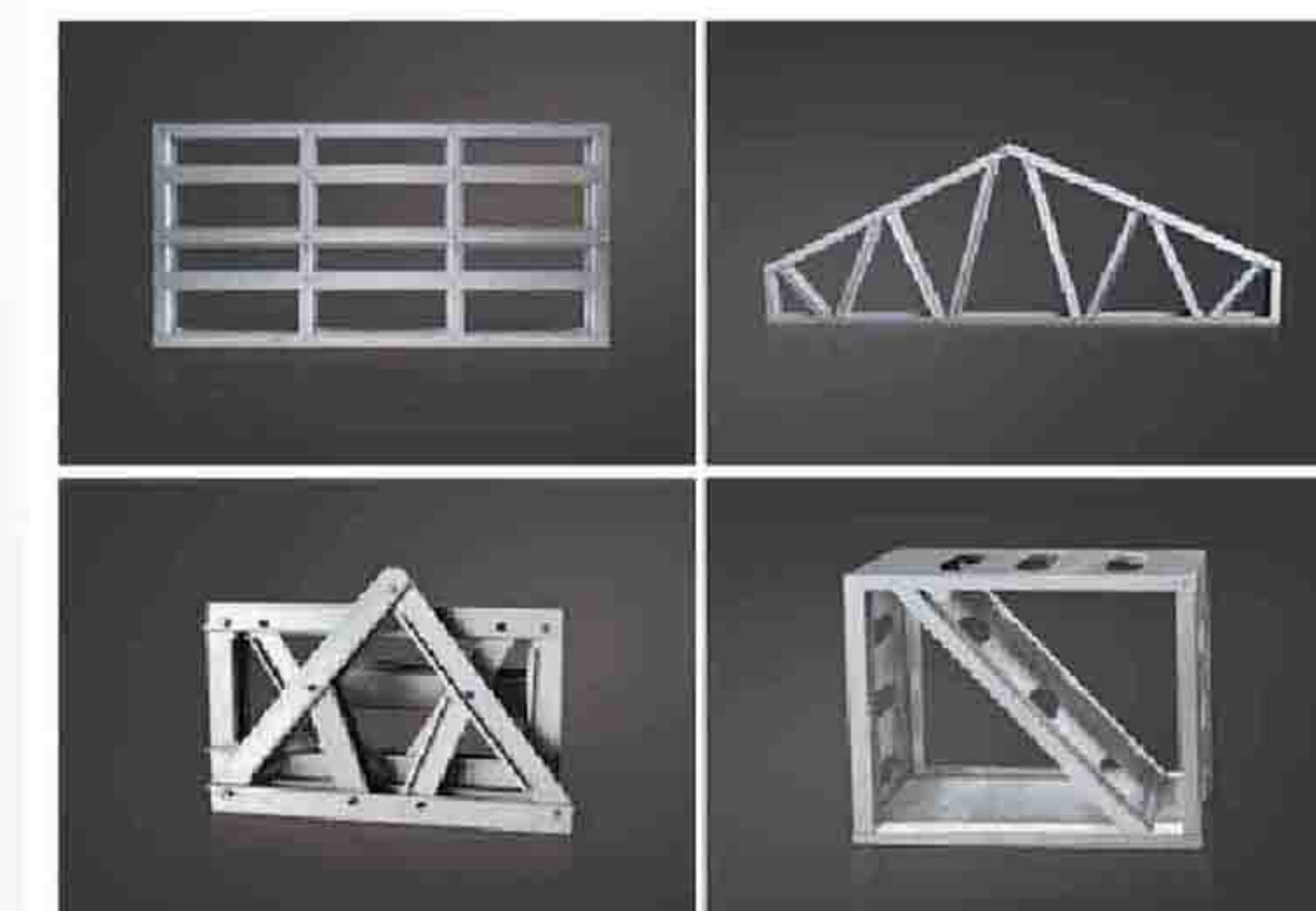
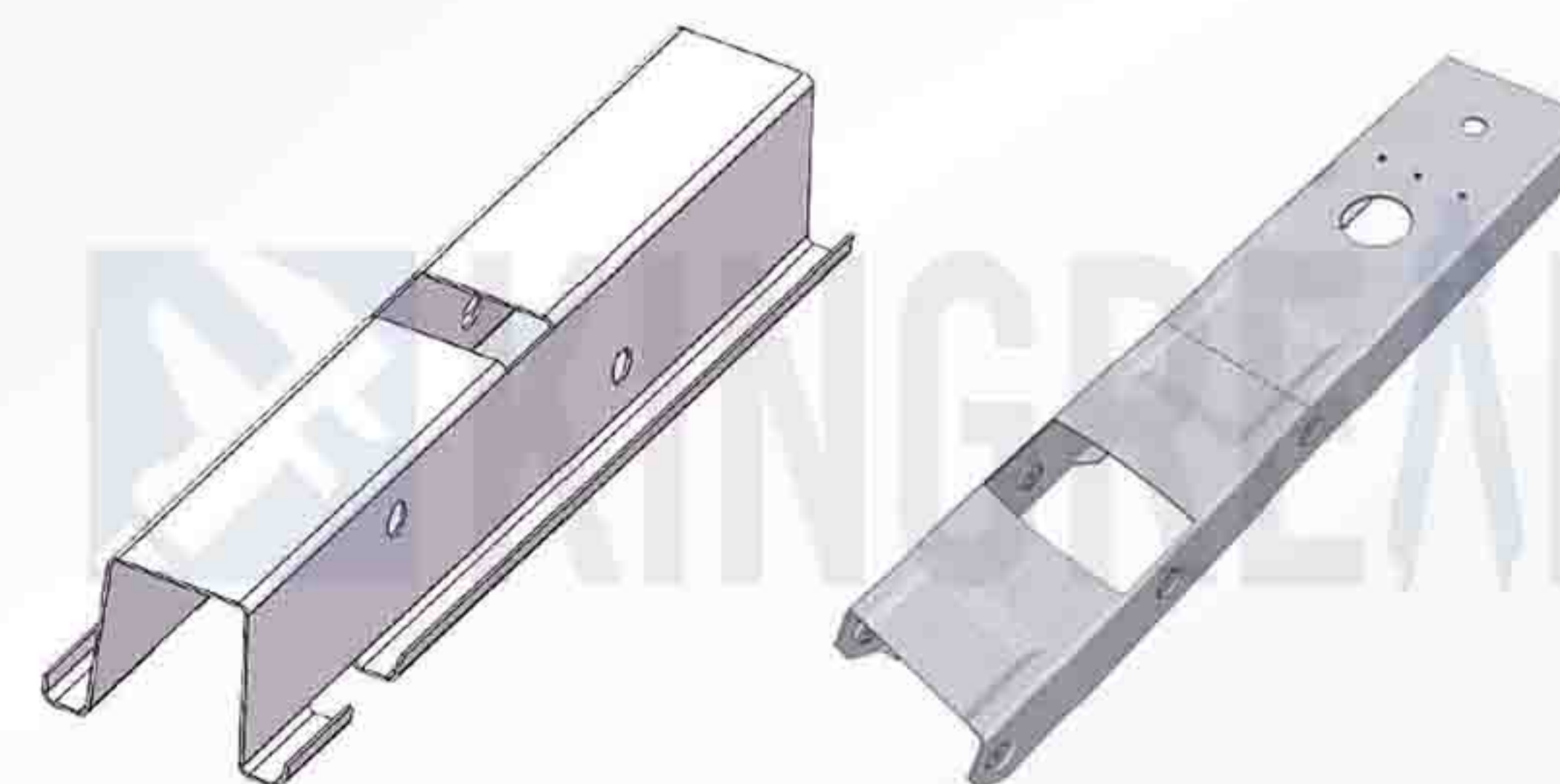
REFERENCE DRAWING

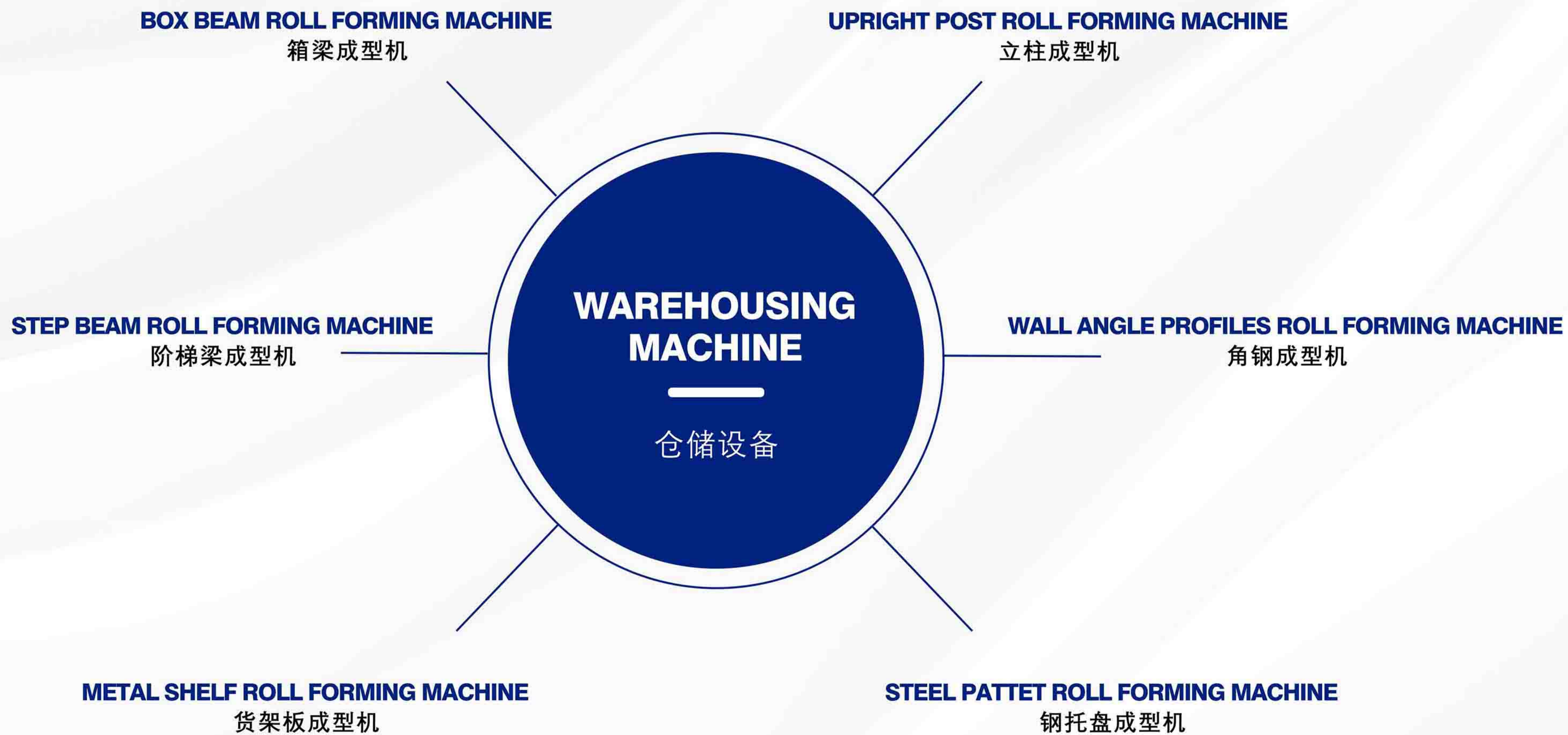


参考图纸 / CANREFERENCE DRAWING ◀



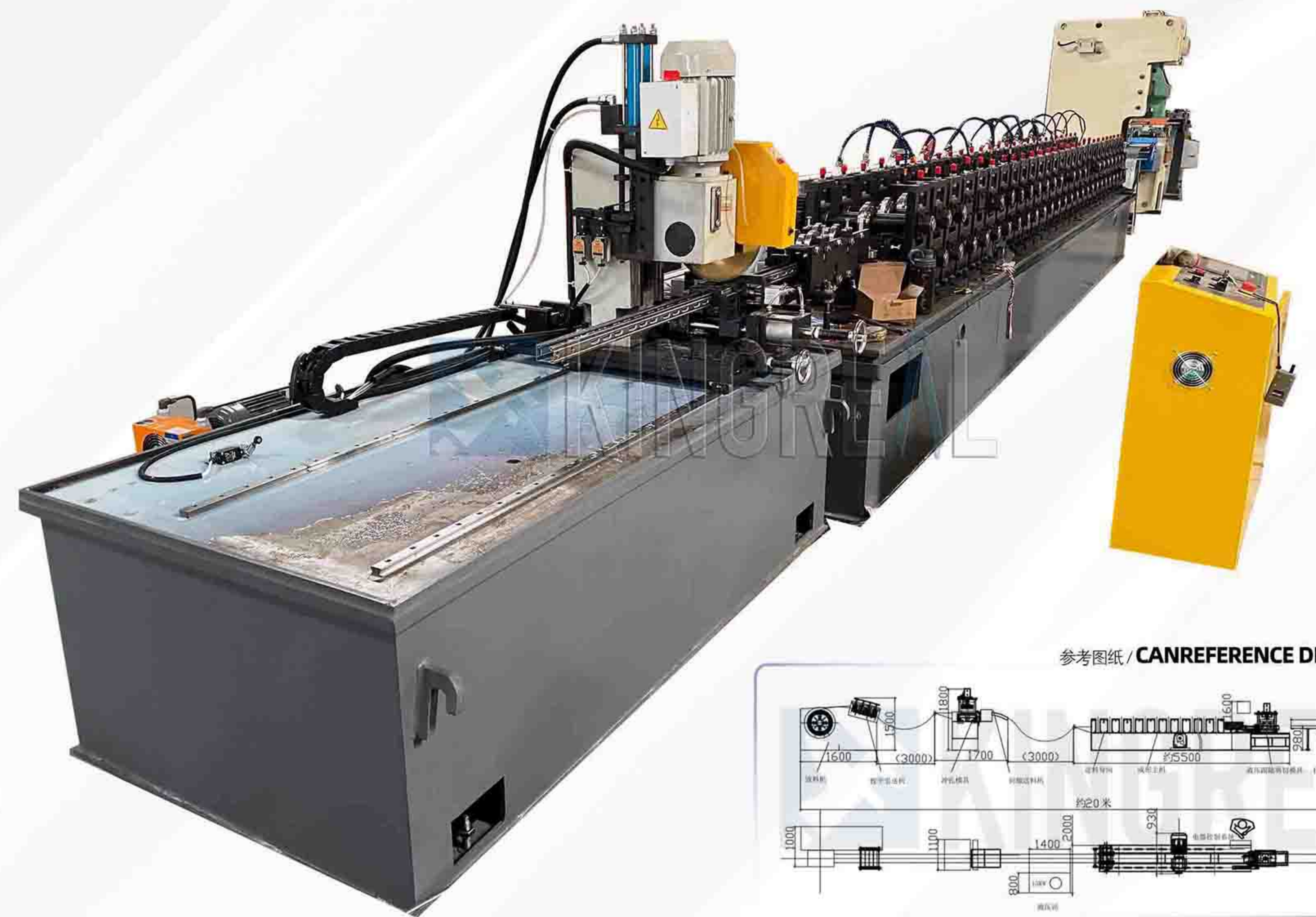
MATERIAL THICKNESS	POWER REQUEST	MAX SPEED OF PRODUCTION	
0.8-1.5MM	380V50HZ	1600M/H	350-900M/H



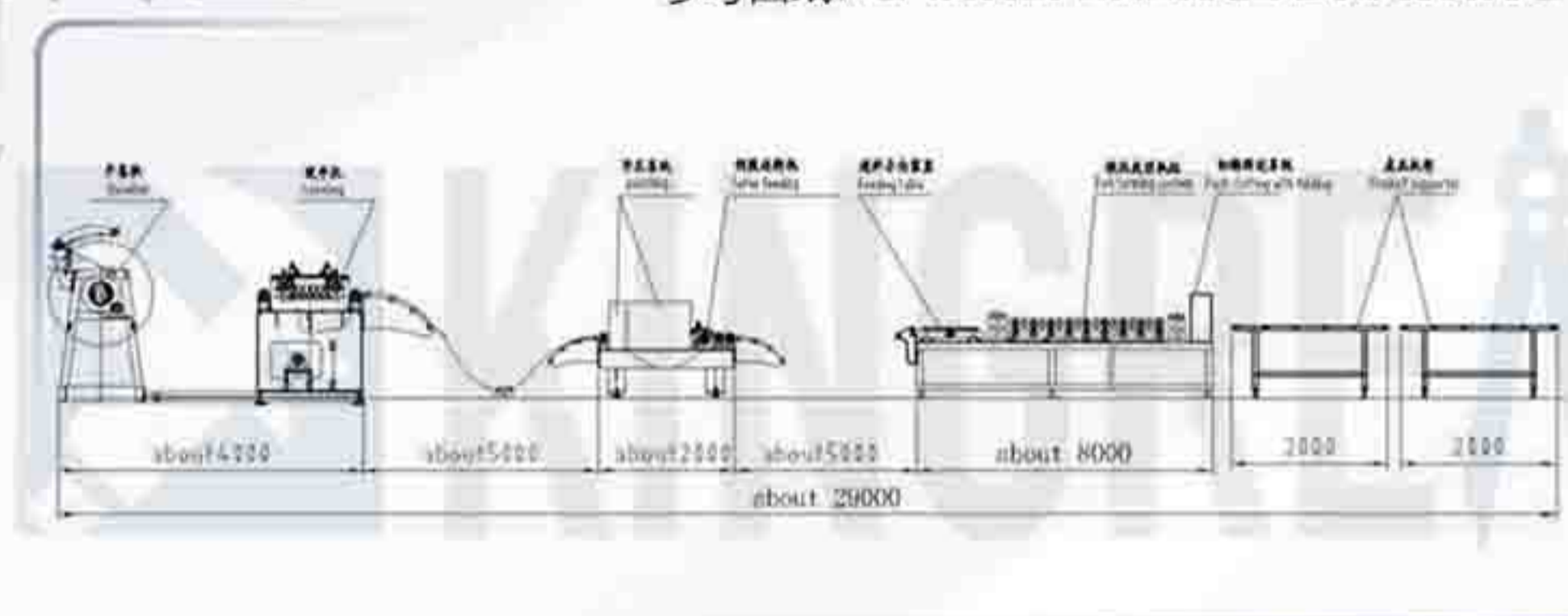


▶ METAL SHELF ROLL FORMING MACHINE / 货架板成型机

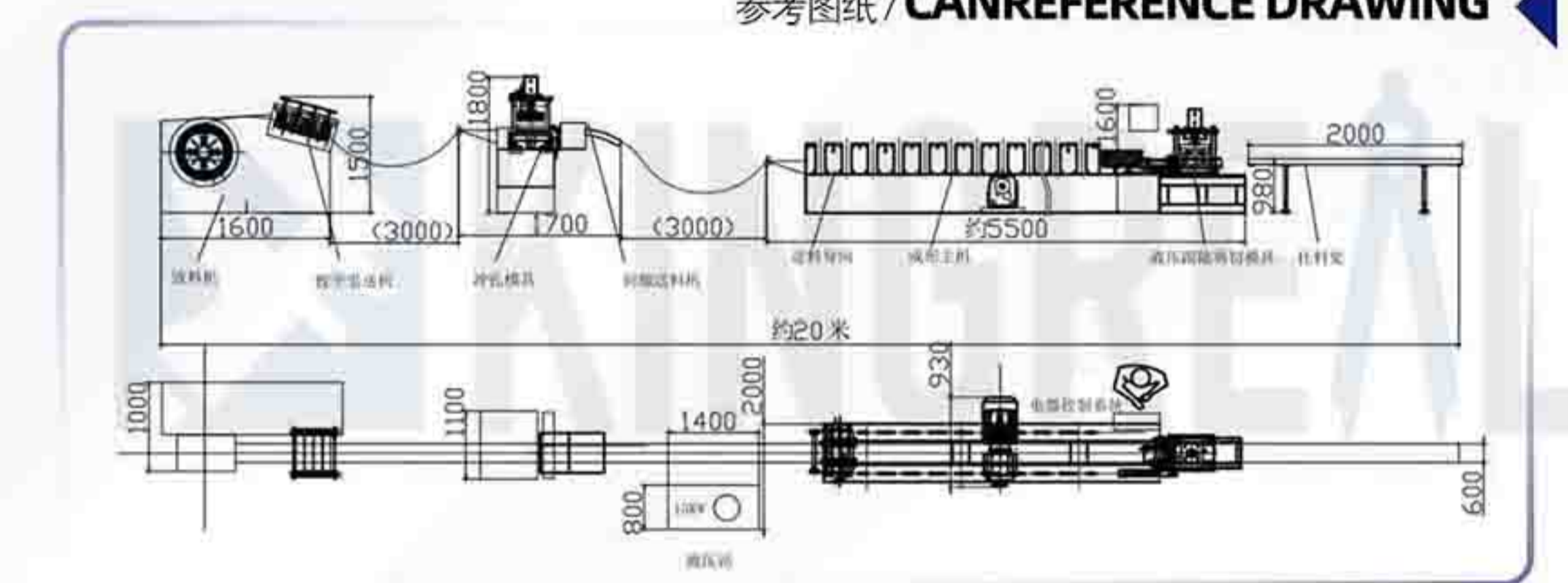
立柱成型机/ UPRIGHT POST ROLL FORMING MACHINE ◀



参考图纸 / CANREFERENCE DRAWING



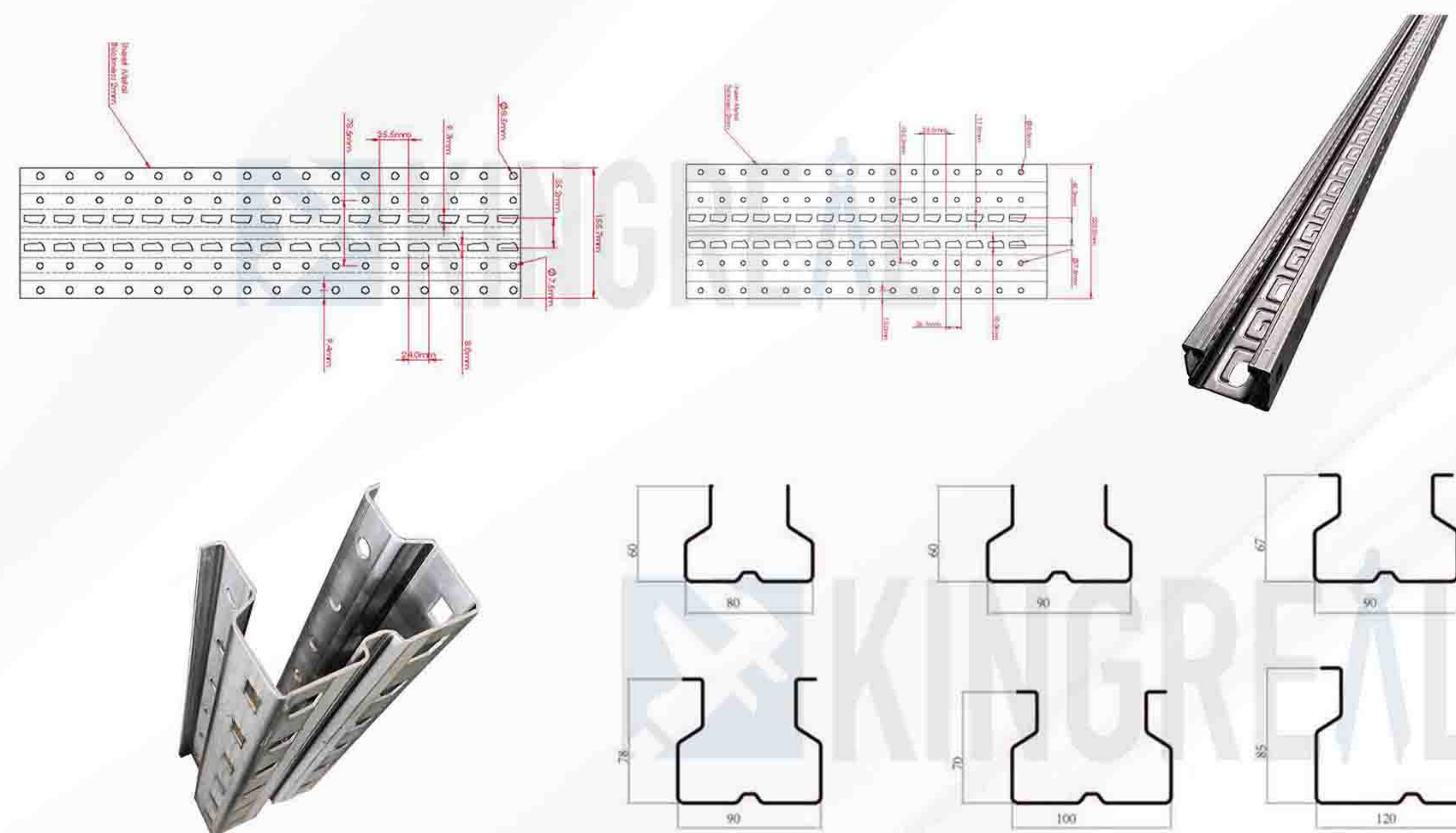
参考图纸 / CANREFERENCE DRAWING



REFERENCE DRAWING

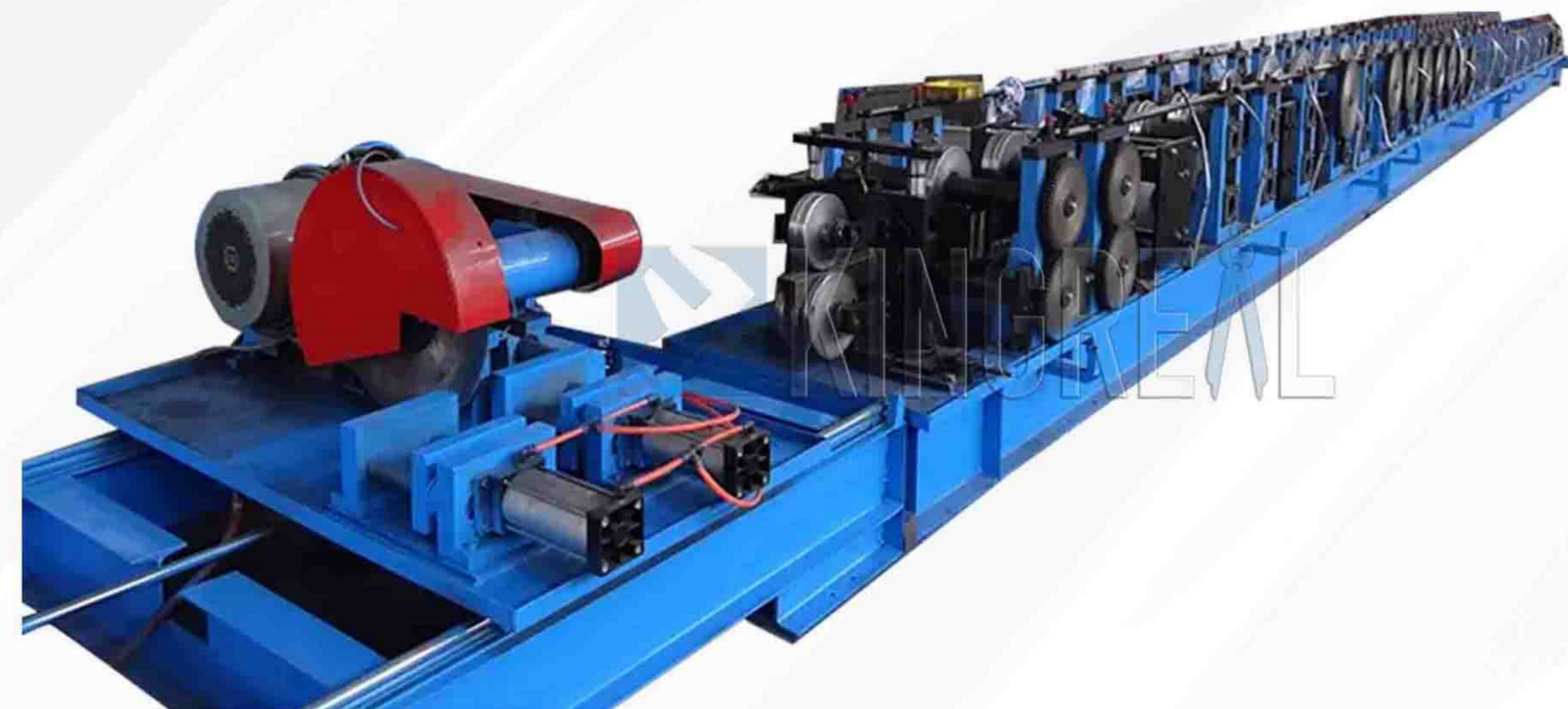


REFERENCE DRAWING



► **BOX BEAM ROLL FORMING MACHINE / 箱梁成型机**

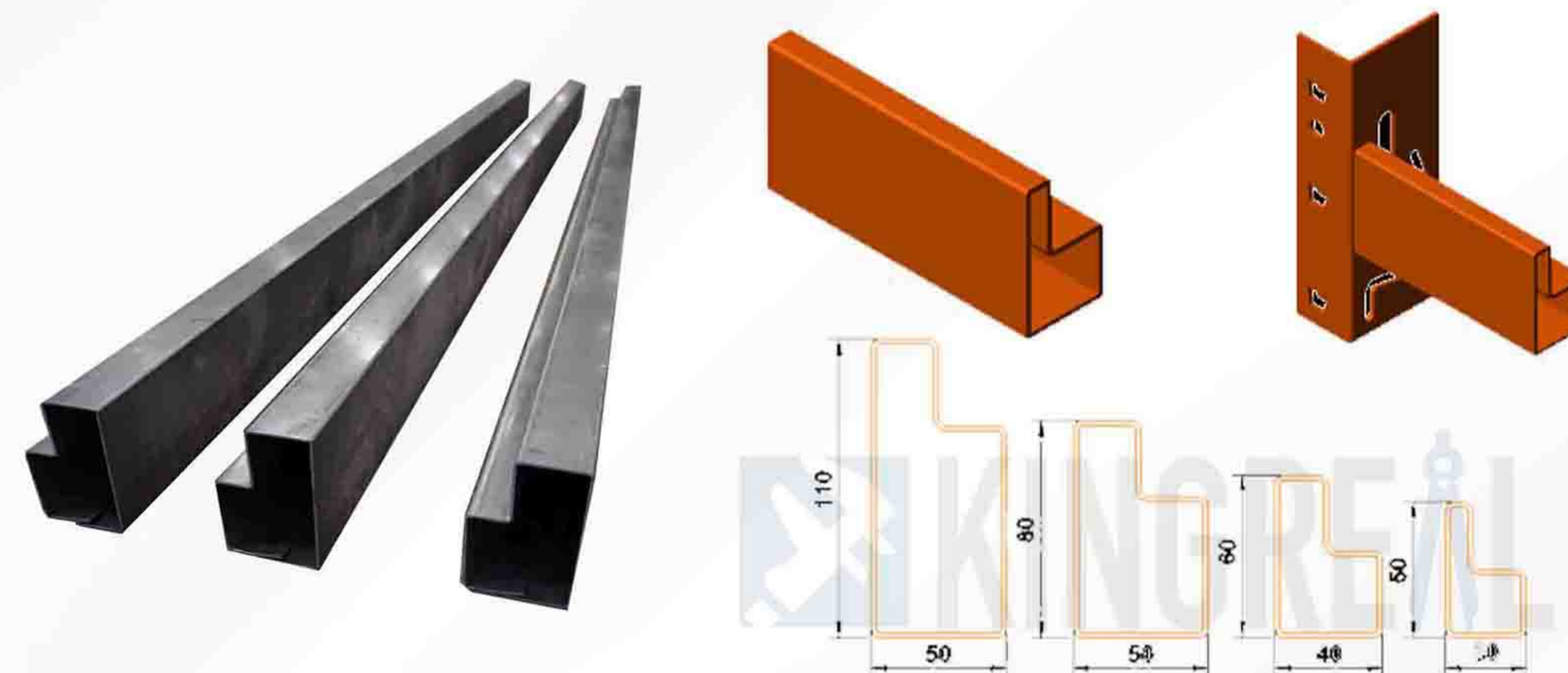
阶梯梁成型机/ **STEP BEAM ROLL FORMING MACHINE** ◀



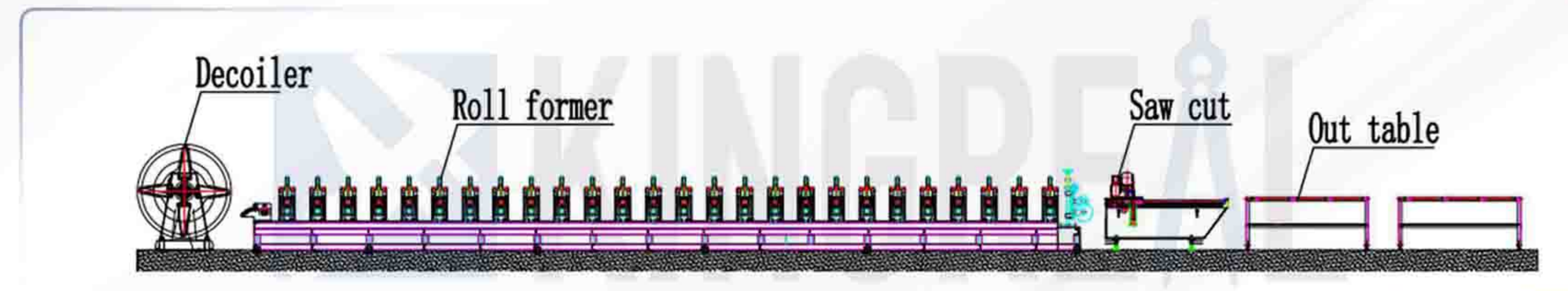
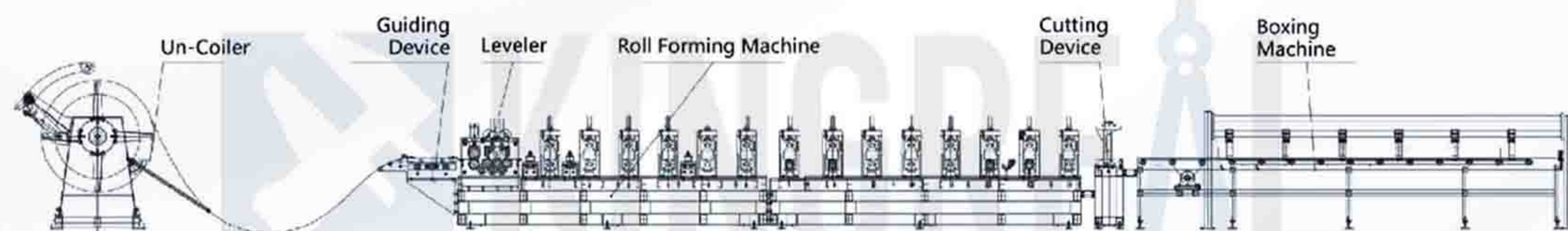
REFERENCE DRAWING



REFERENCE DRAWING



参考图纸 / CANREFERENCE DRAWING



▶ WALL ANGLE PROFILES ROLL FORMING MACHINE / 角钢成型机

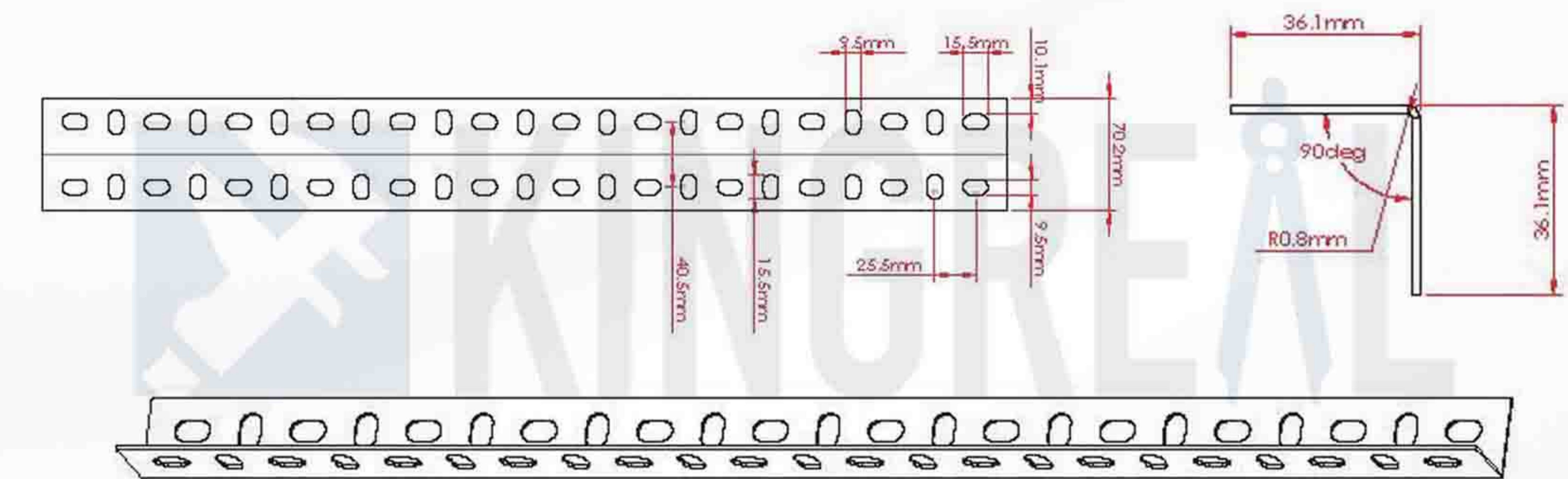
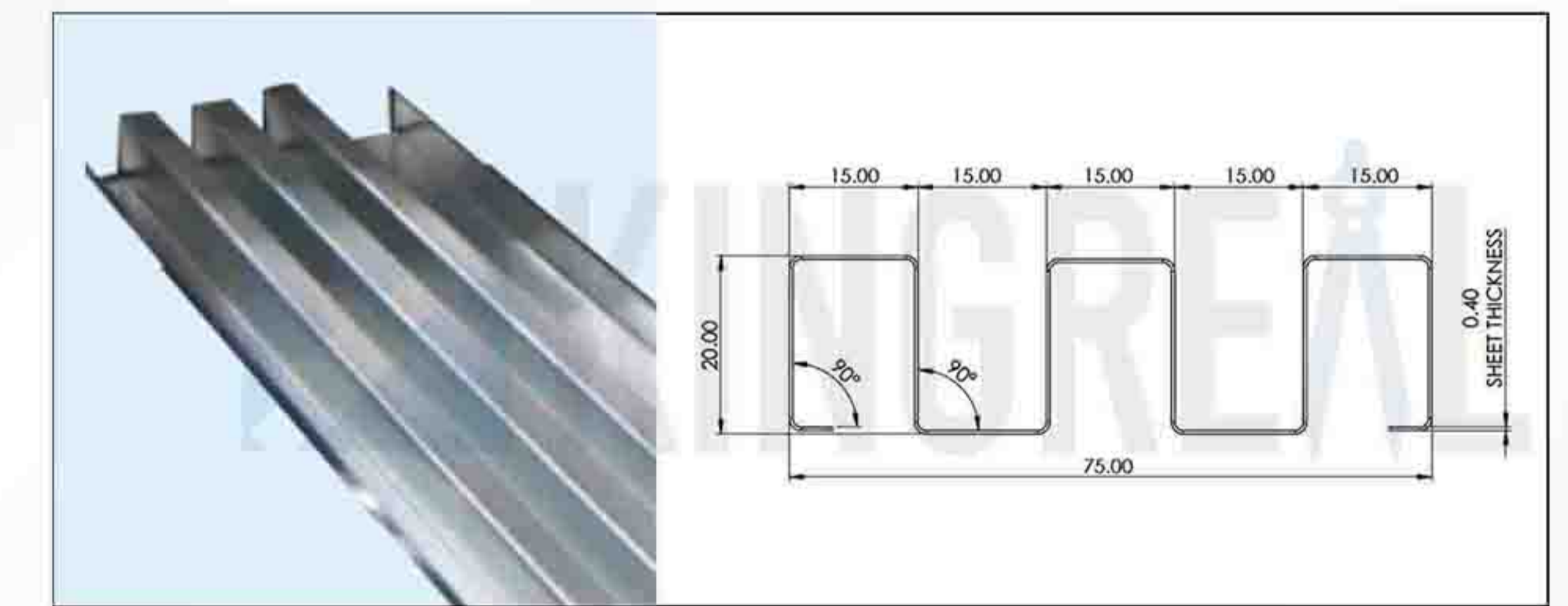
钢托盘成型机/ STEEL PATTET ROLL FORMING MACHINE ◀



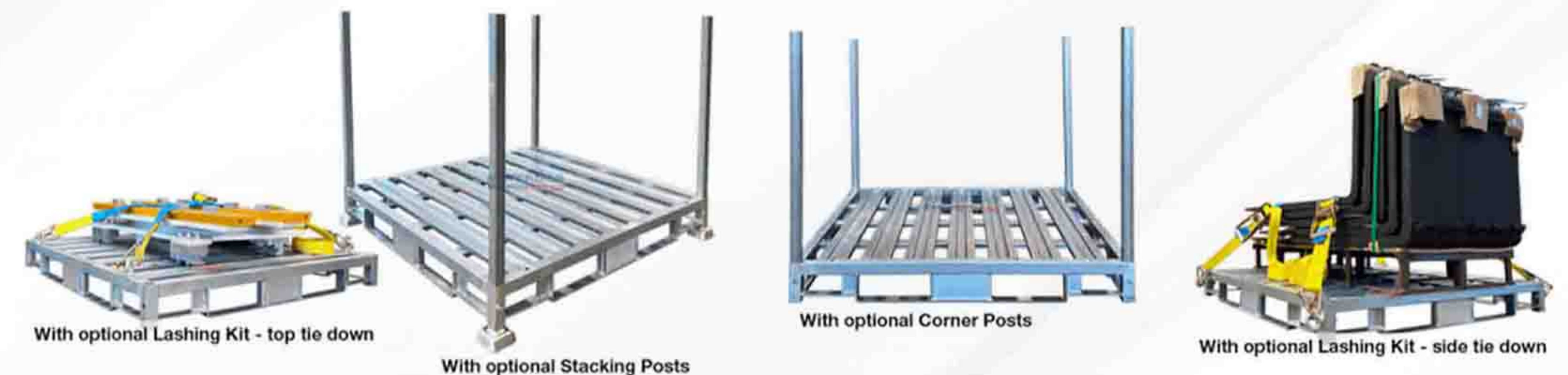
REFERENCE DRAWING

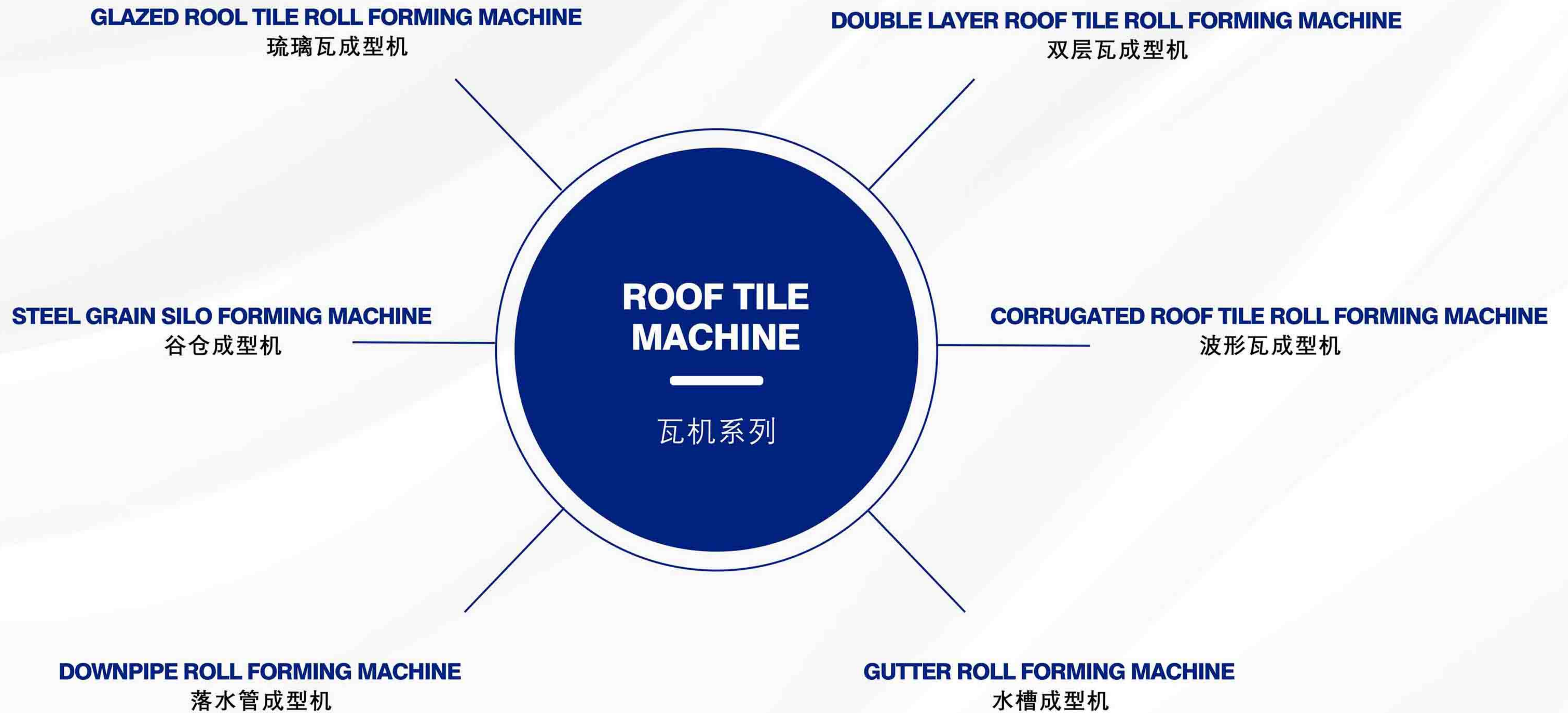


REFERENCE DRAWING



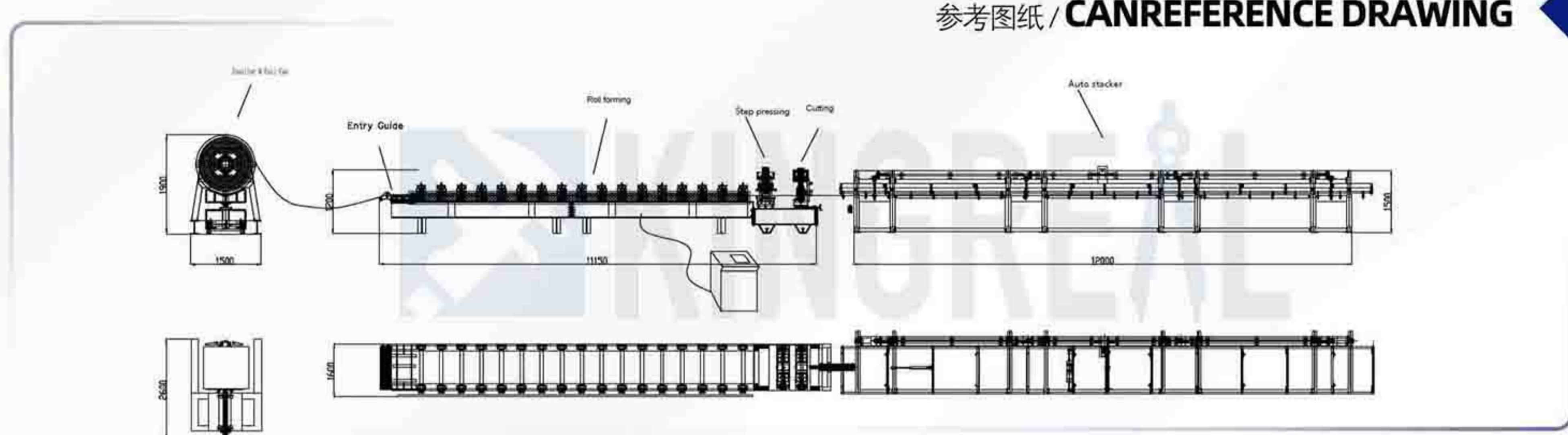
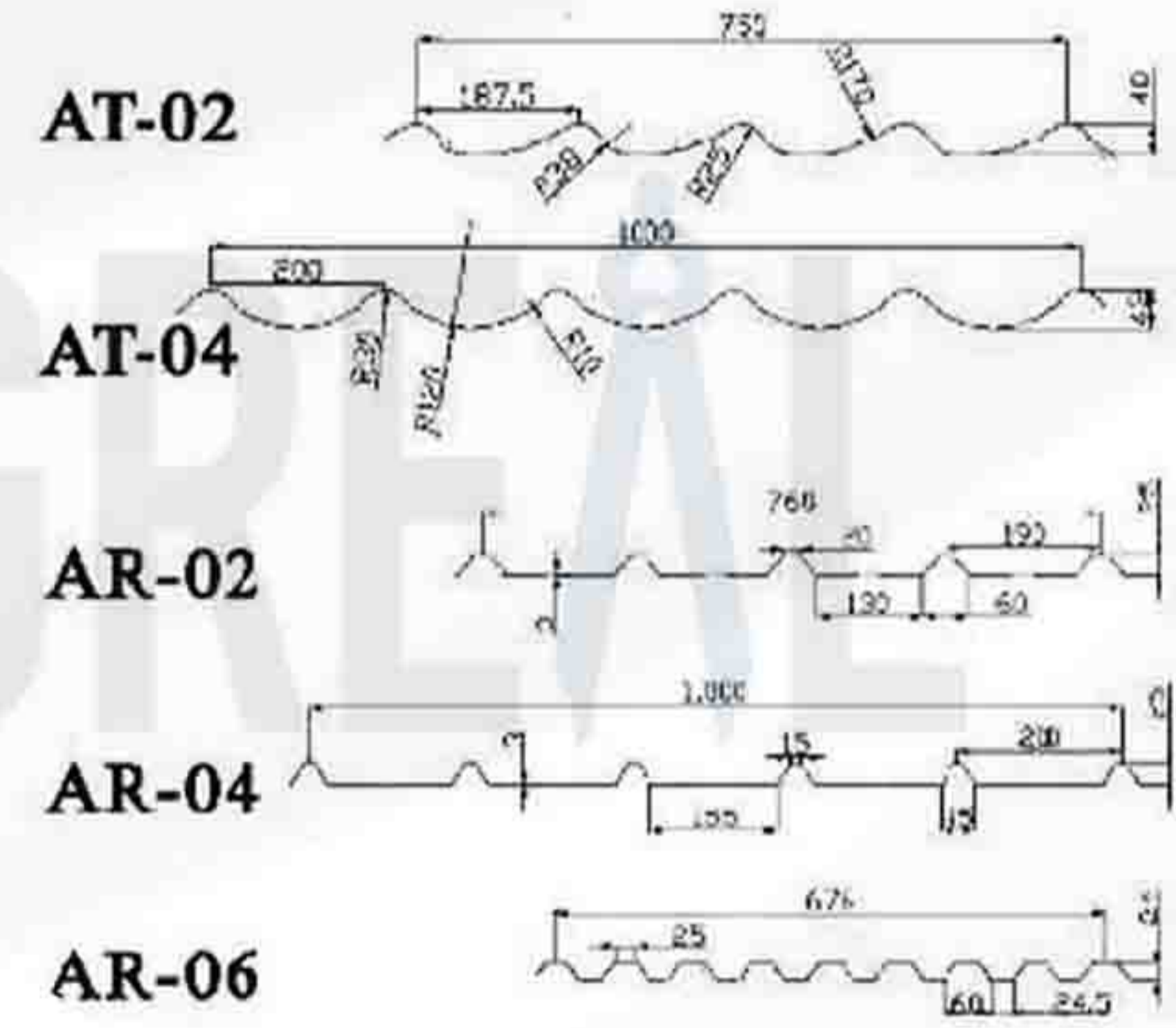
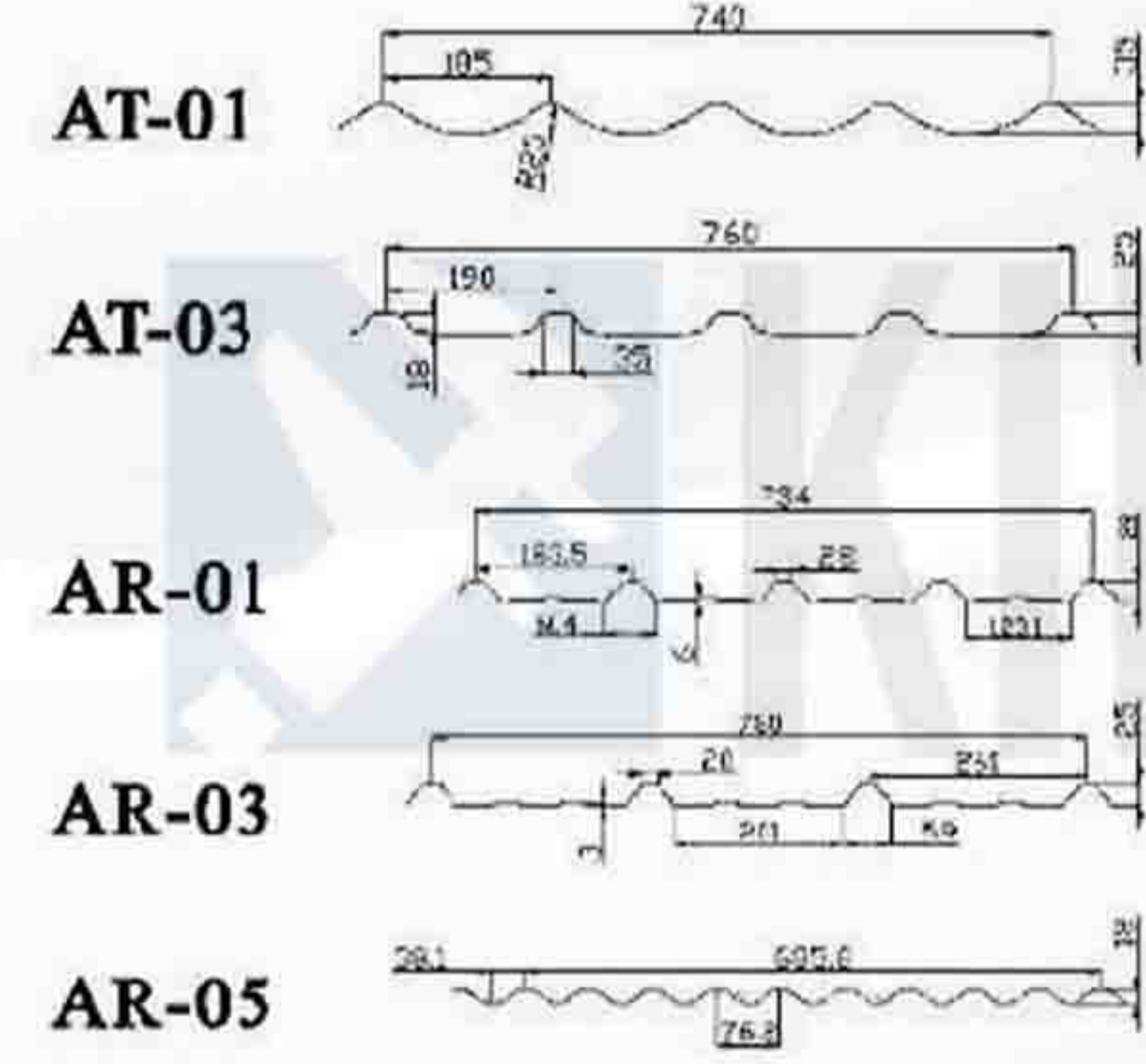
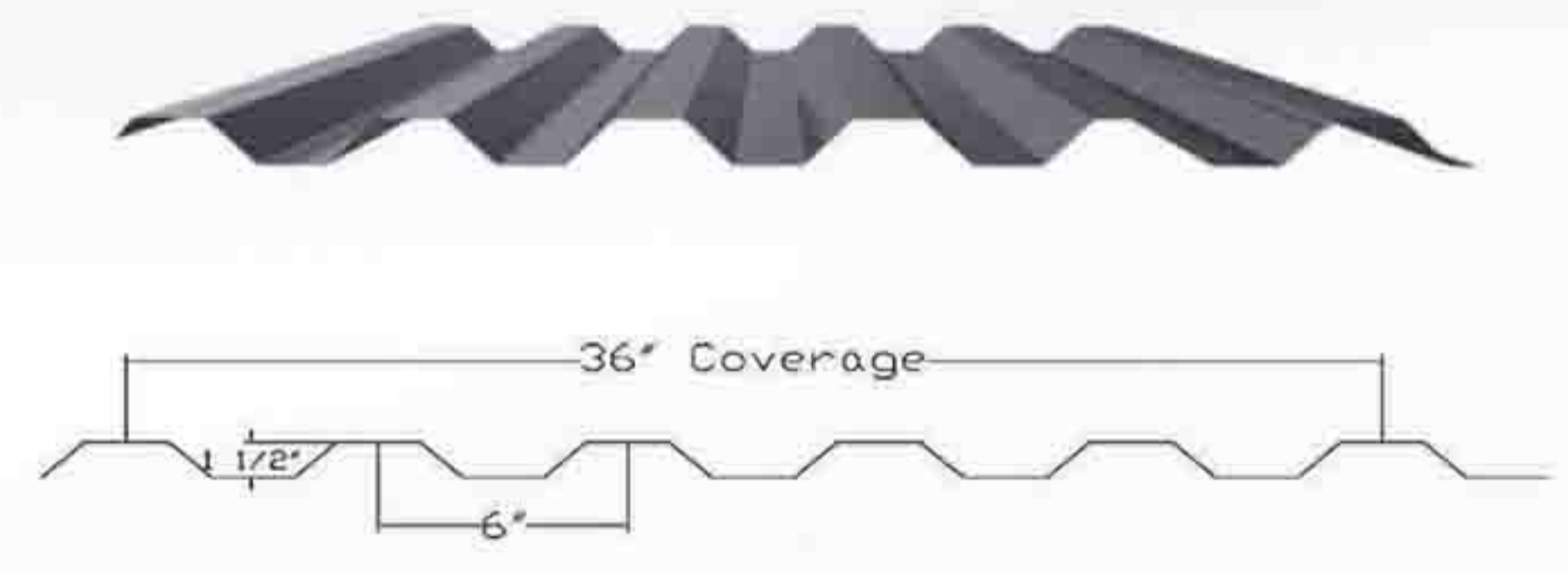
APPLICATION



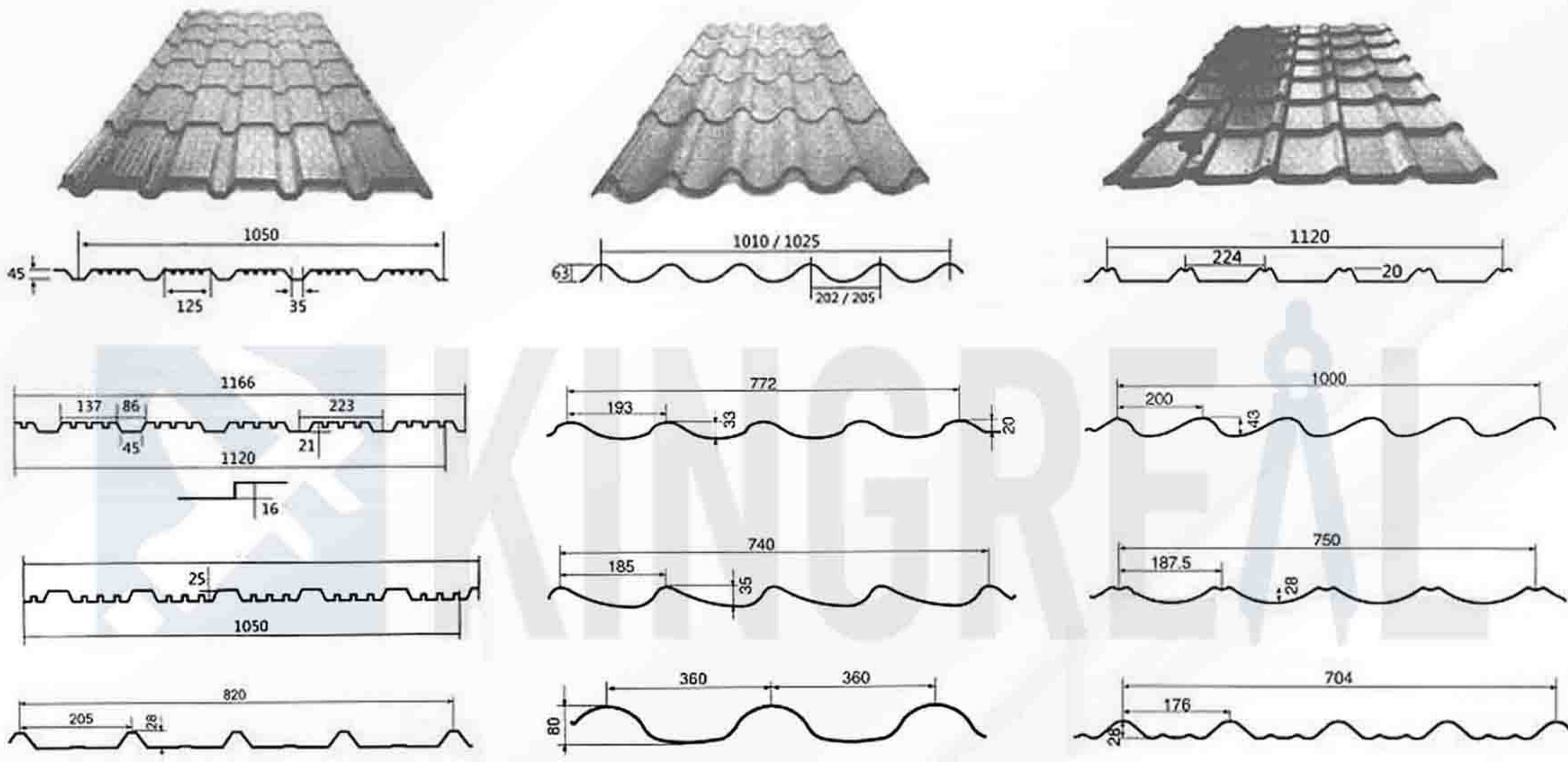


▶ CORRUGATED ROOF TILE ROLL FORMING MACHINE / 波形瓦成型机

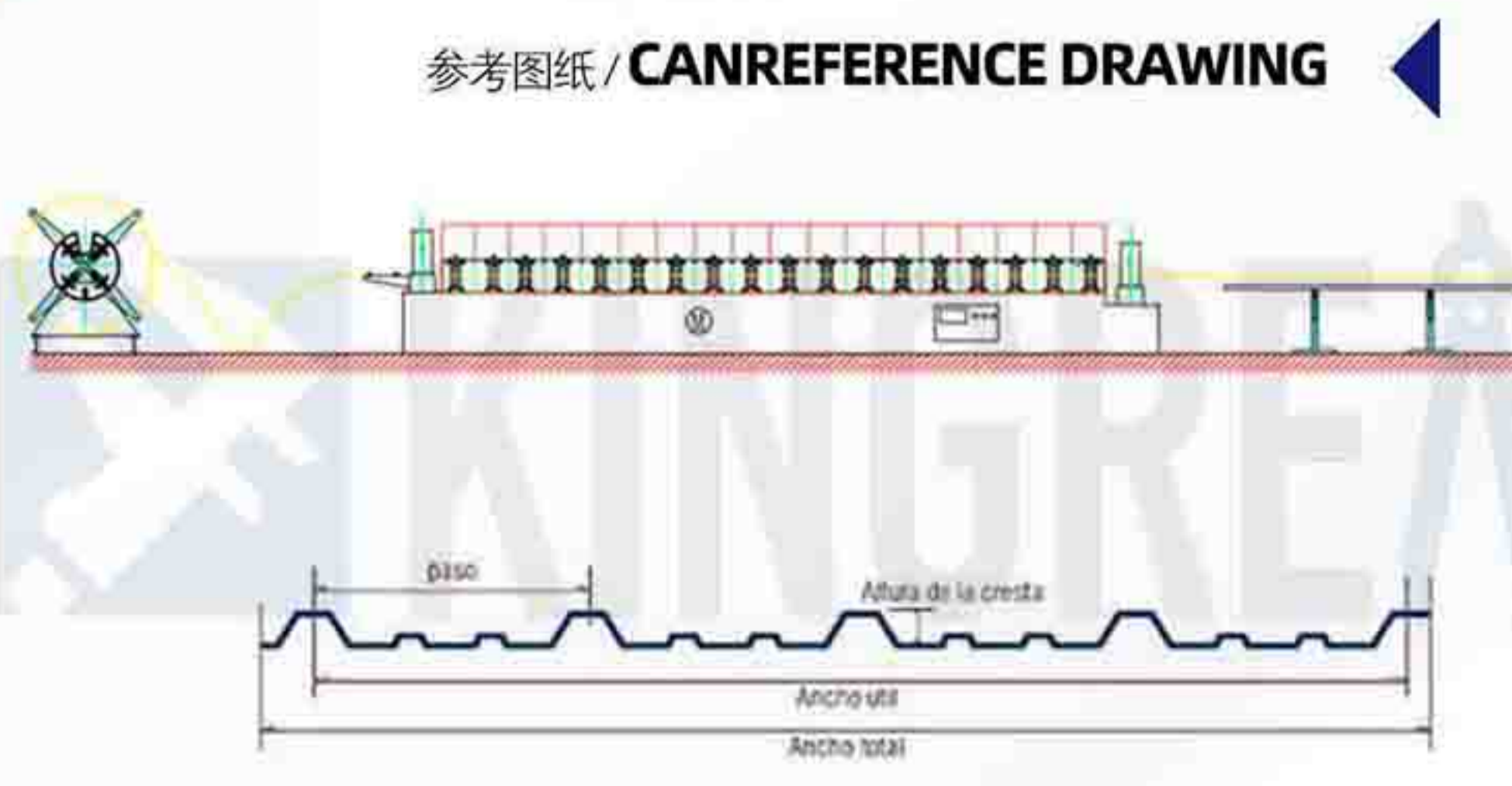
琉璃瓦成型机/ SGLAZED ROOF TILE ROLL FORMING MACHINE ◀



REFERENCE DRAWING

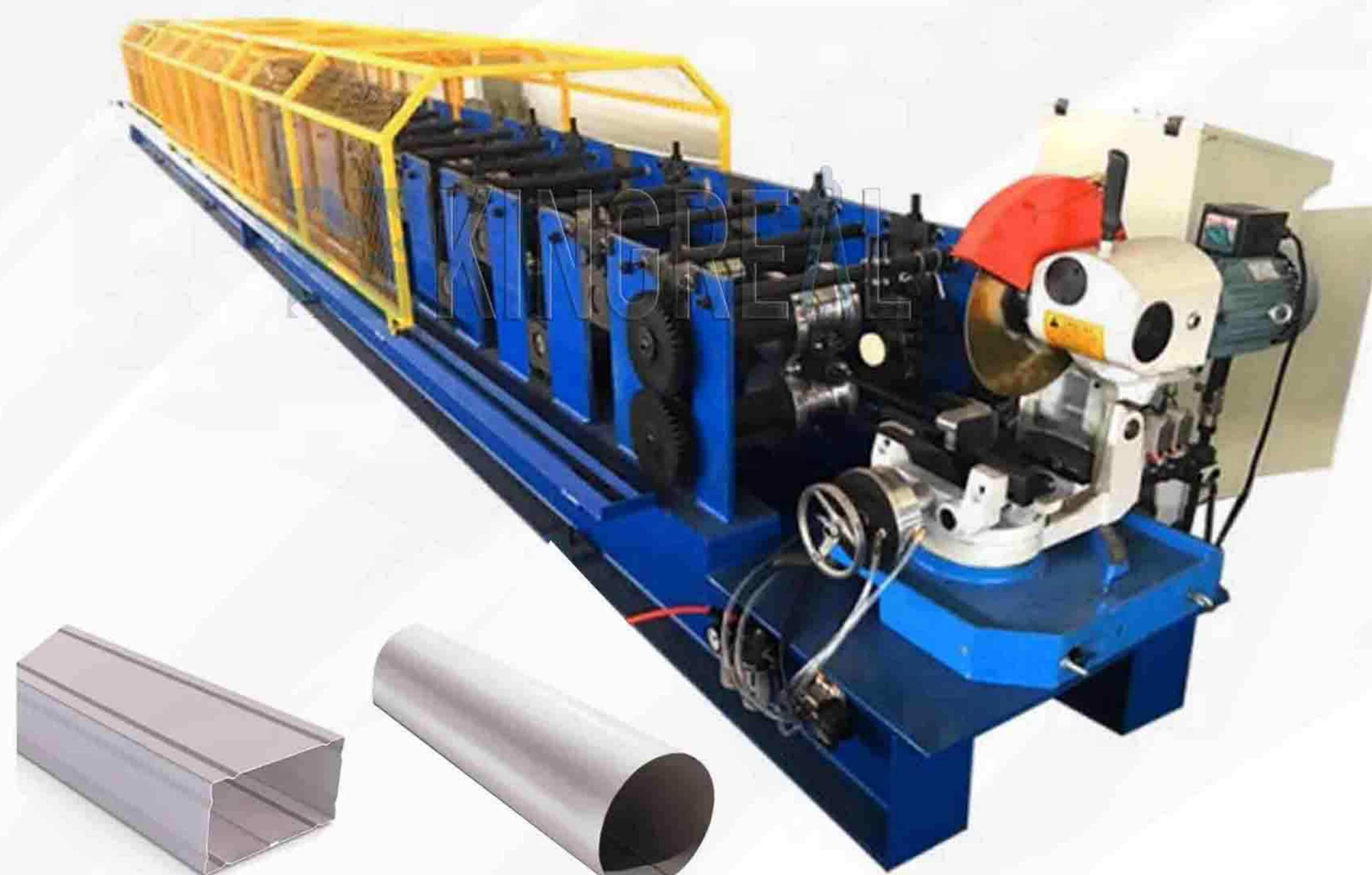


▶ DOUBLE LAYER ROOF TILE ROLL FORMING MACHINE / 双层瓦机

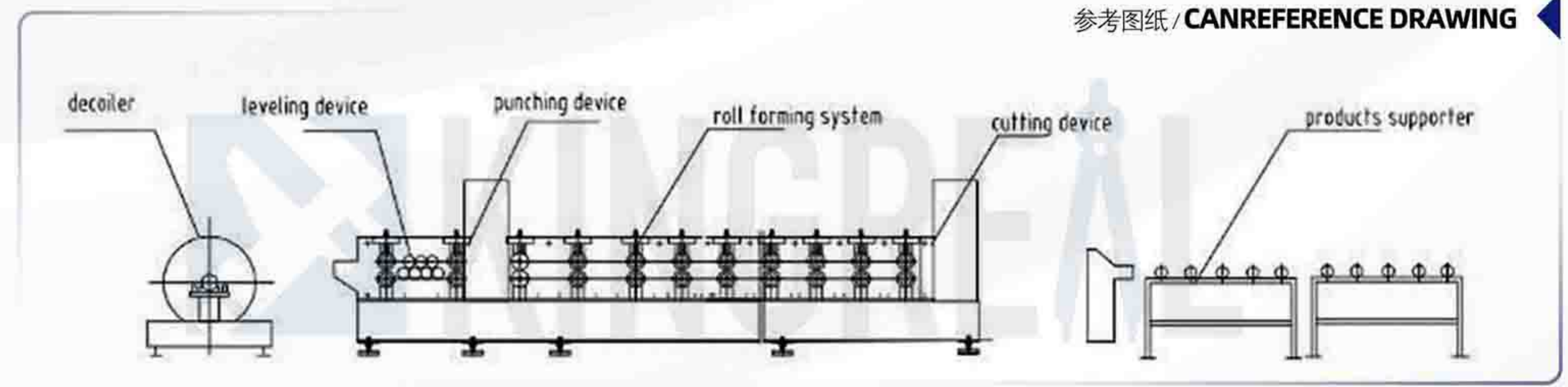


► GUTTER ROLL FORMING MACHINE / 水槽成型机

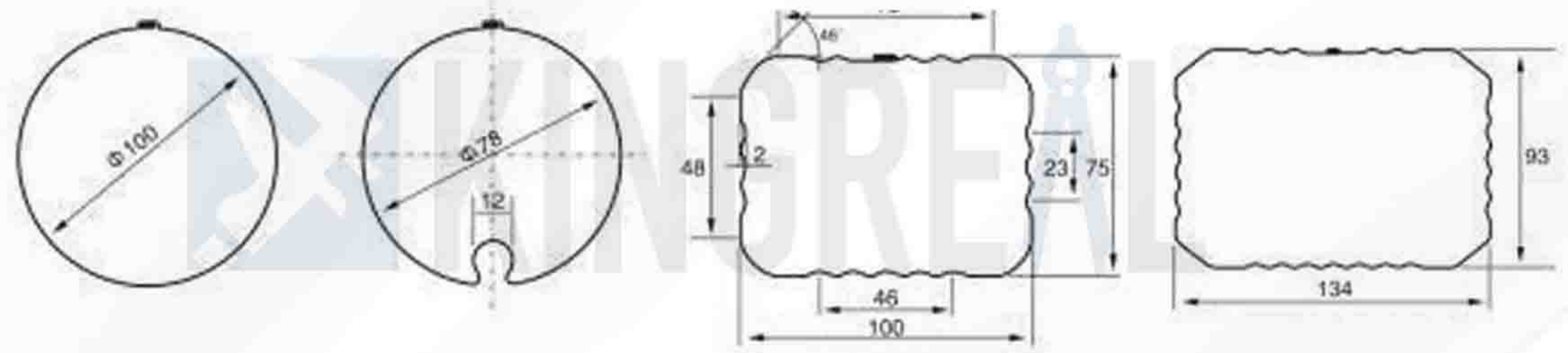
落水管成型机/ DOWNPIPE ROLL FORMING MACHINE ◀



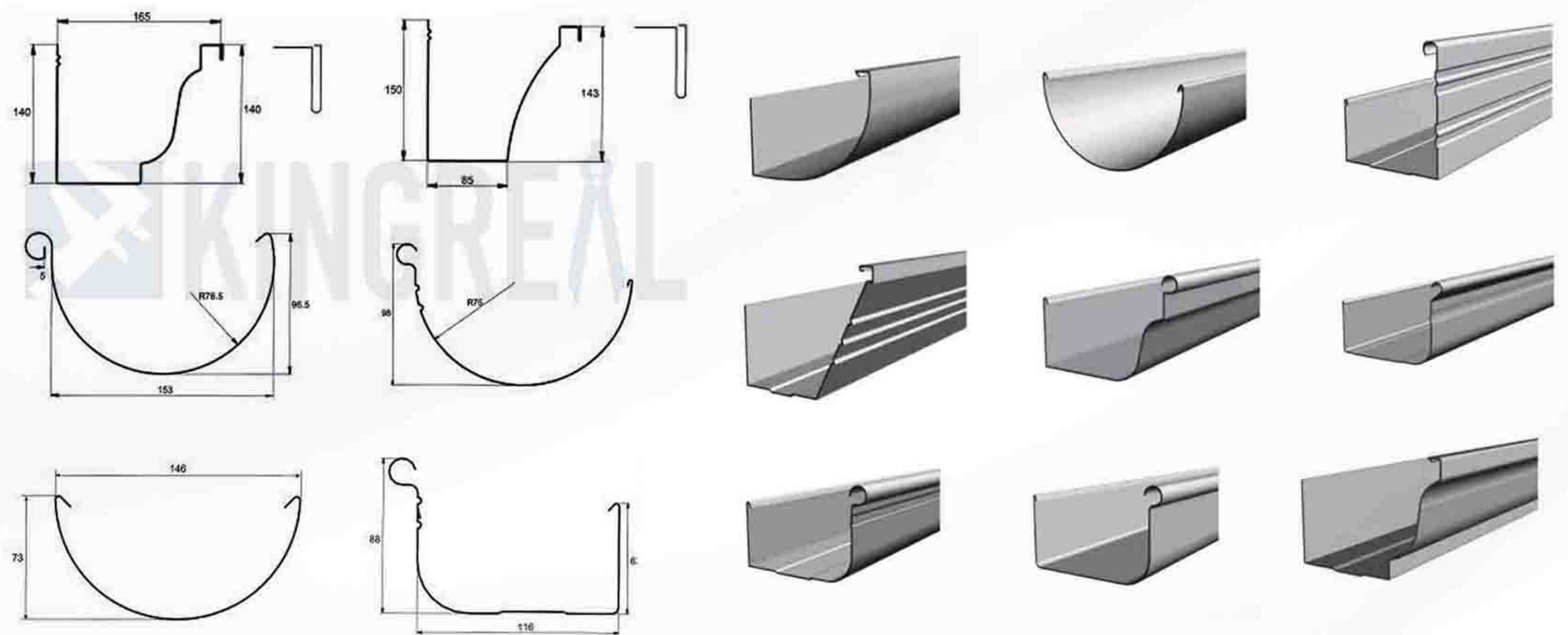
参考图纸 / CANREFERENCE DRAWING ◀



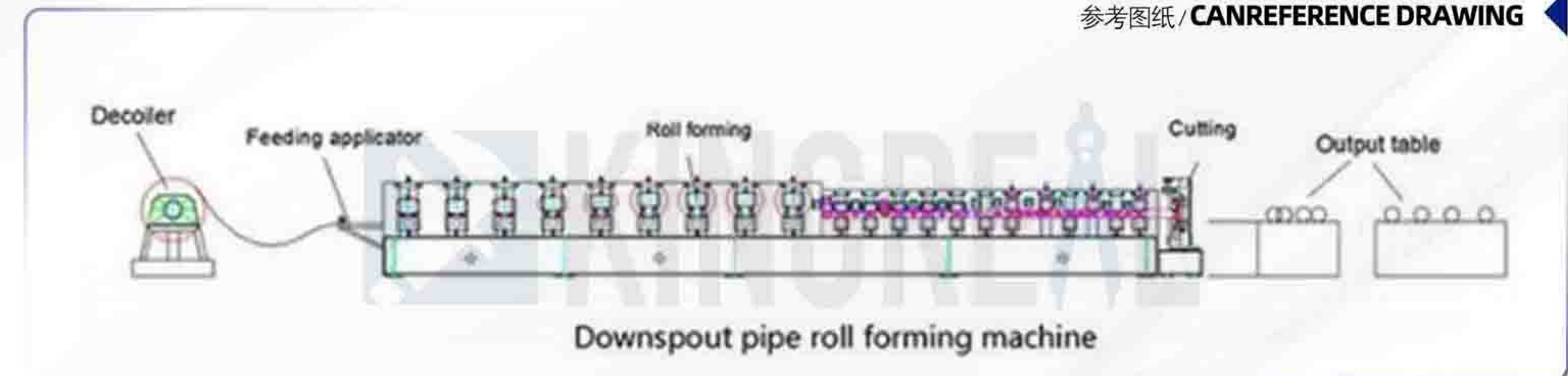
REFERENCE DRAWING



DIFFERENT TYPES OF PRODUCTS



参考图纸 / CANREFERENCE DRAWING ◀

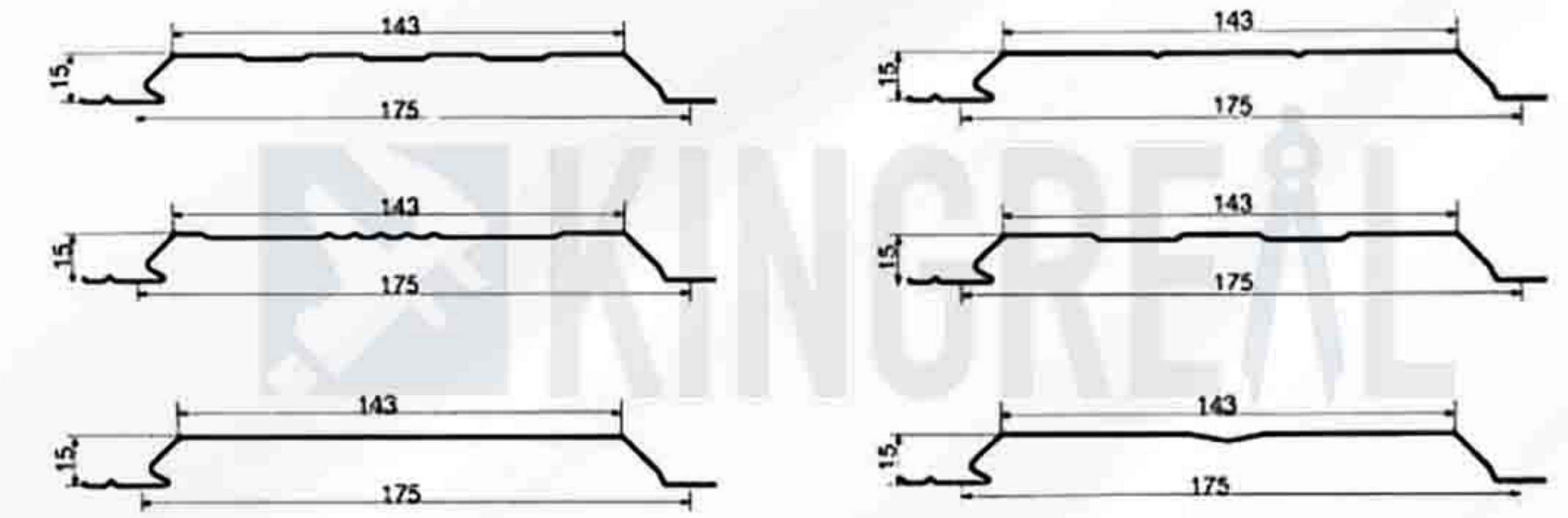
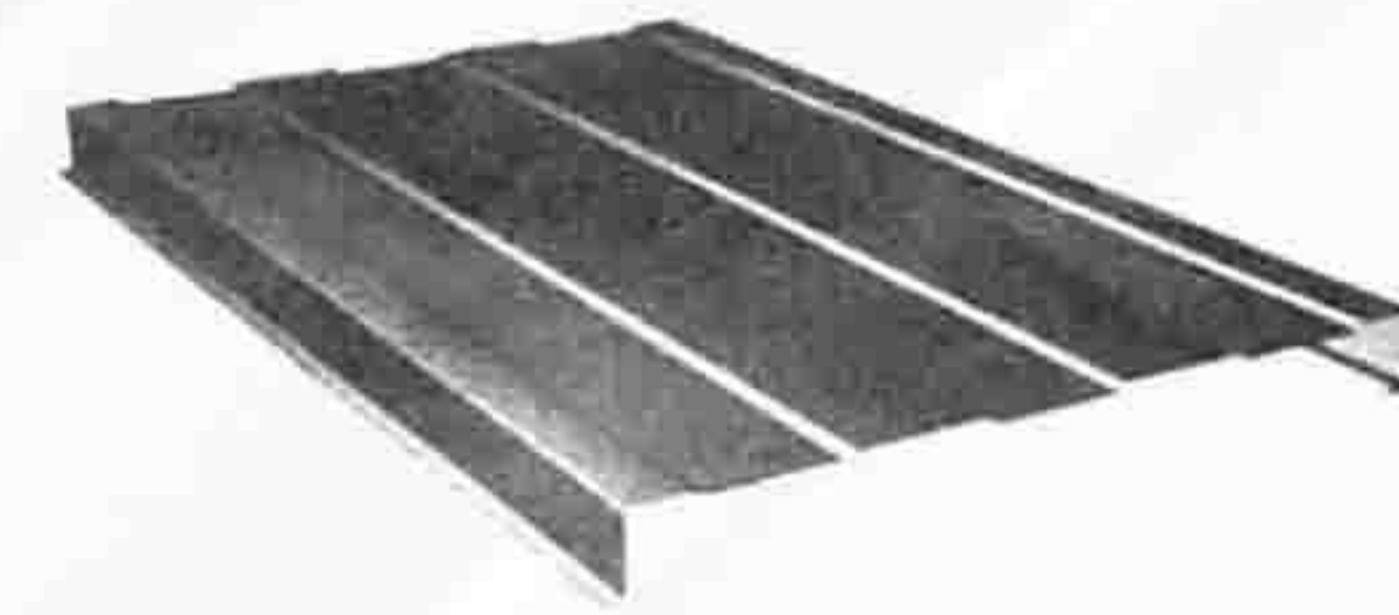


► SILO ROLL FORMING MACHINE / 谷仓成型机

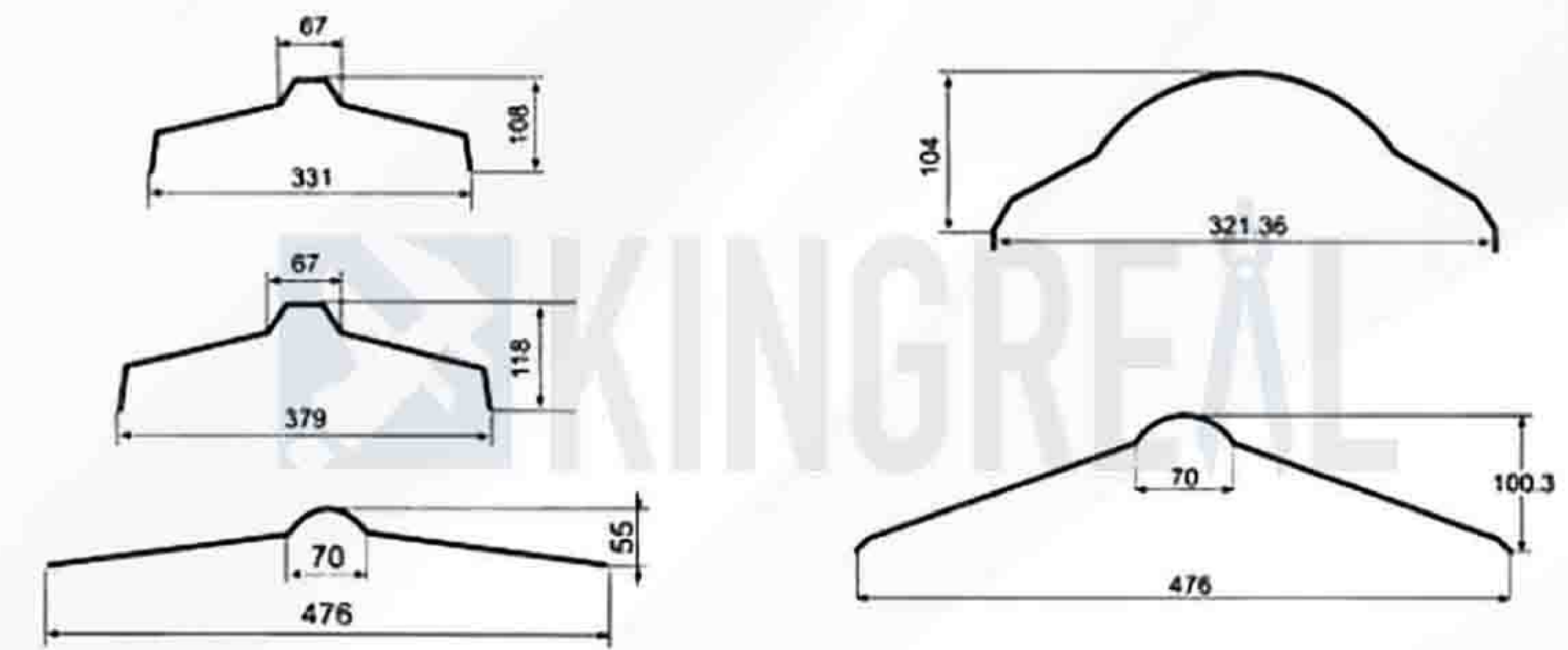
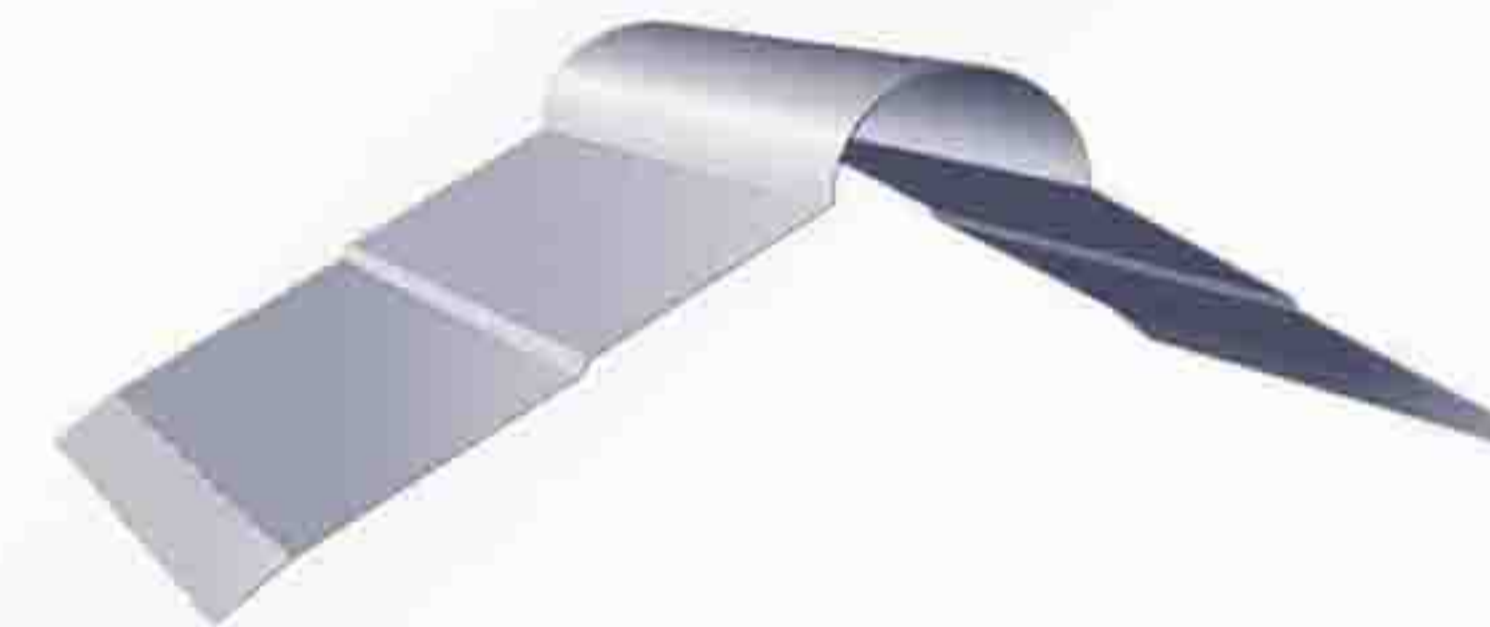
其他瓦型图纸/ REFERENCE DRAWING OF OTHER METAL ROOF TILE ◀



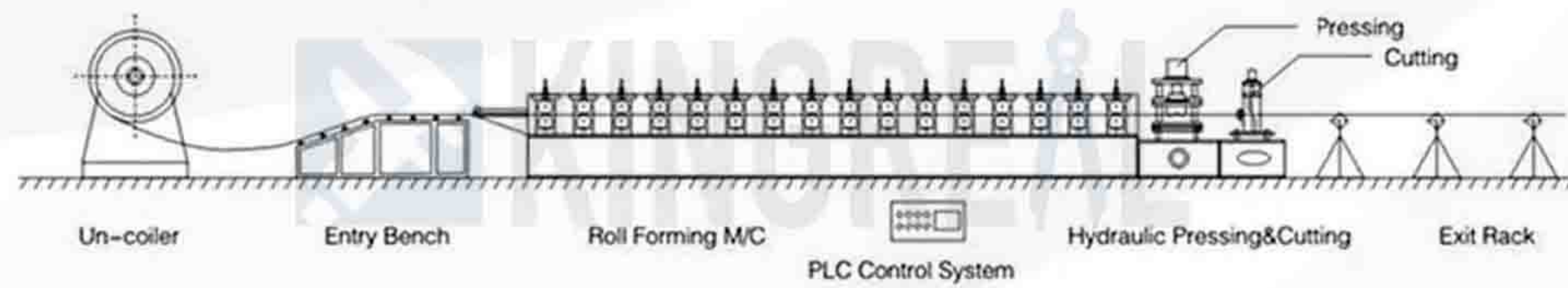
SINGLE PLATE TILE TYPE DIAGRAM



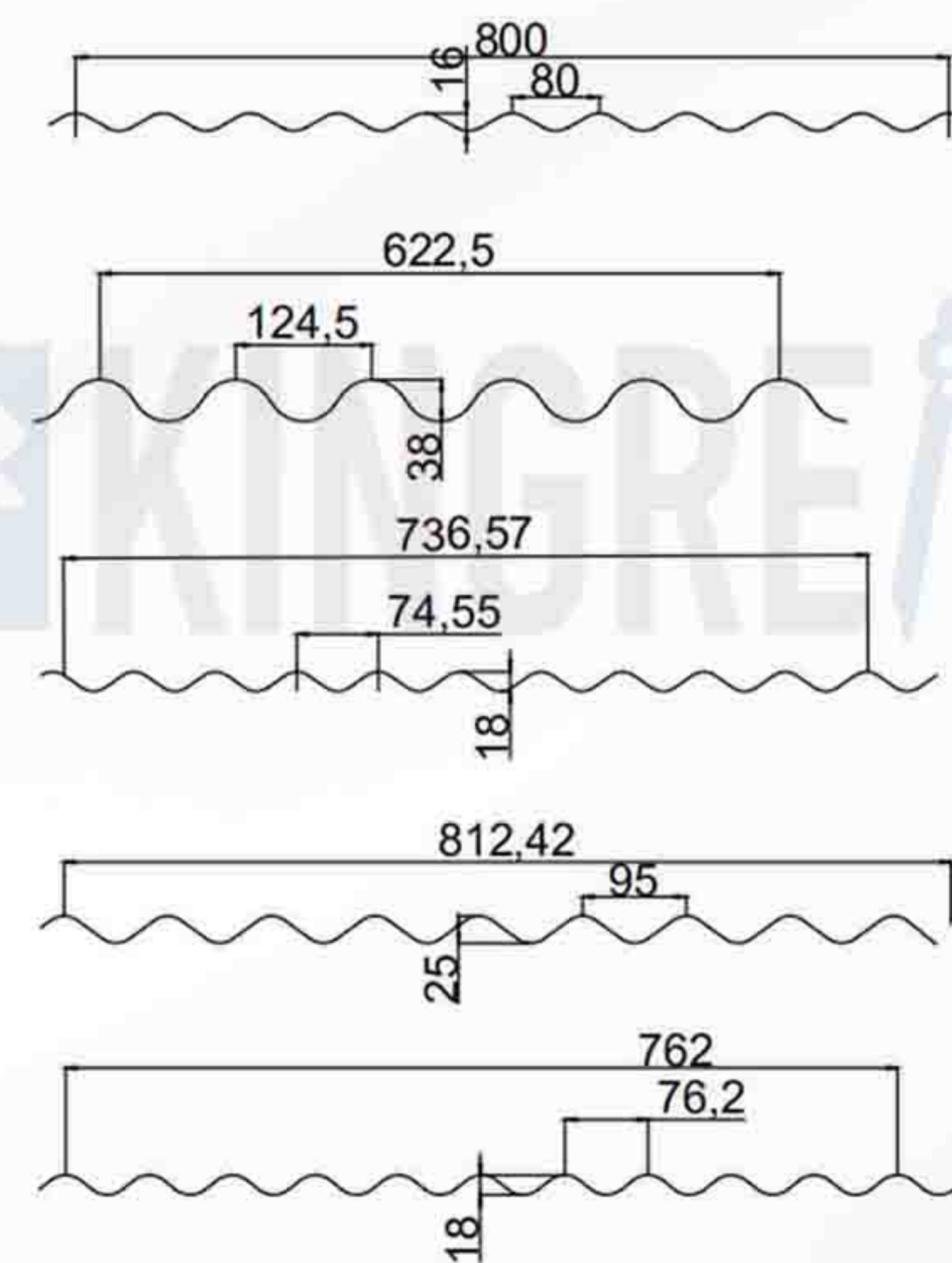
RIDGE CAP



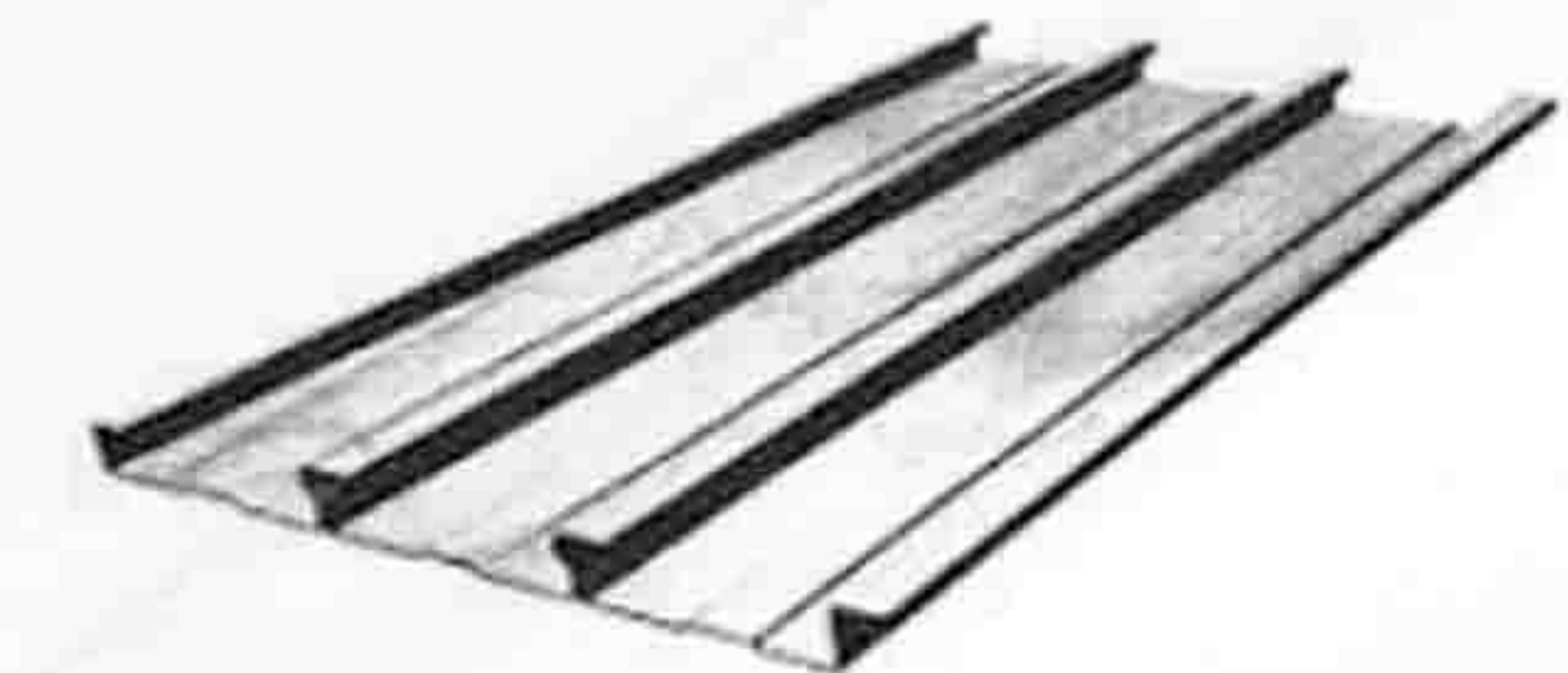
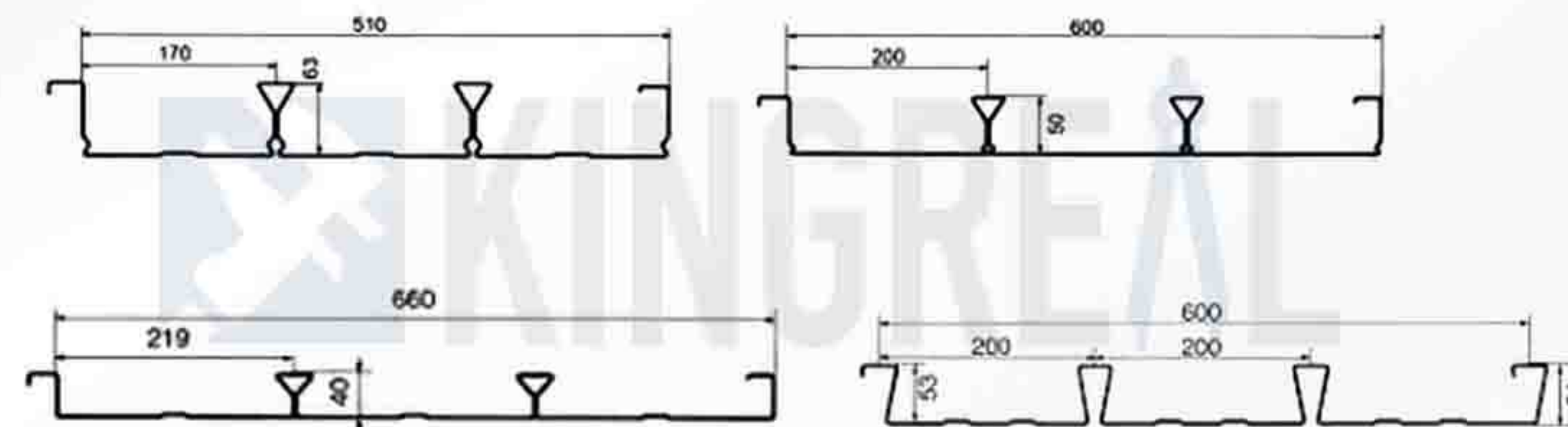
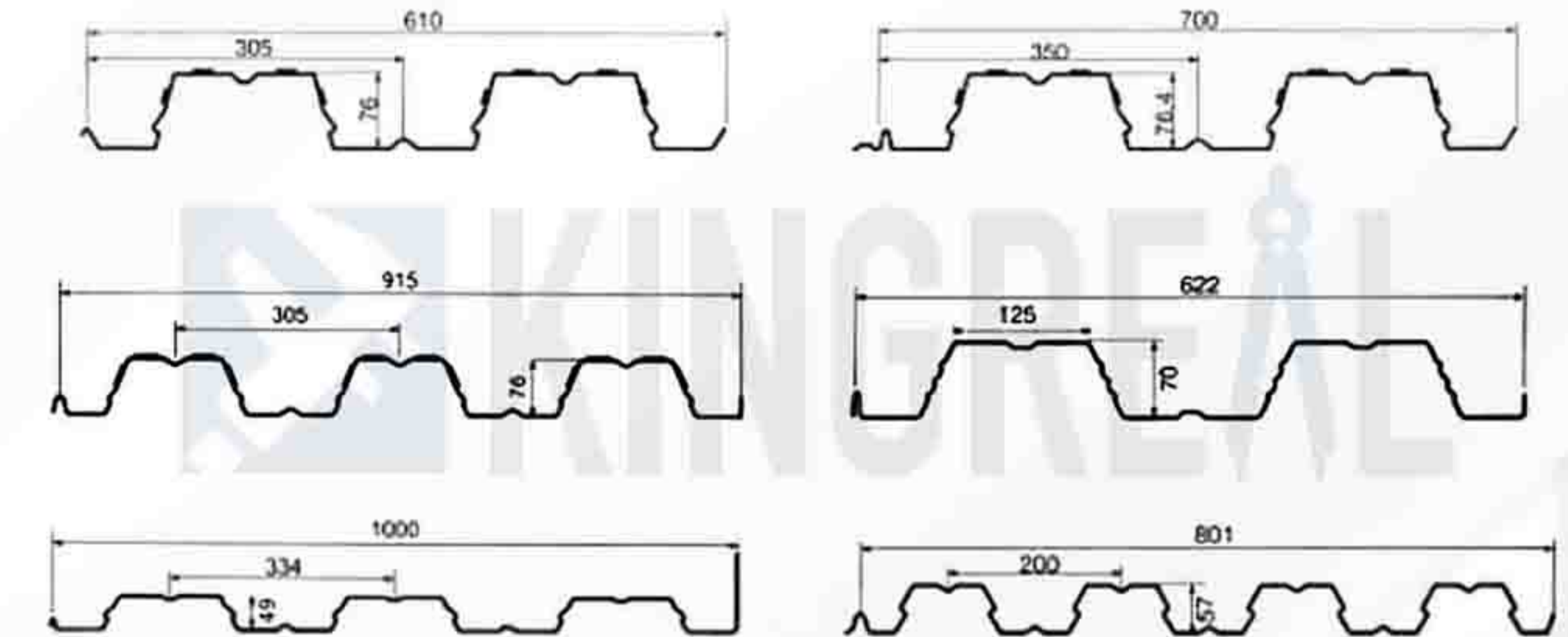
参考图纸 / CANREFERENCE DRAWING

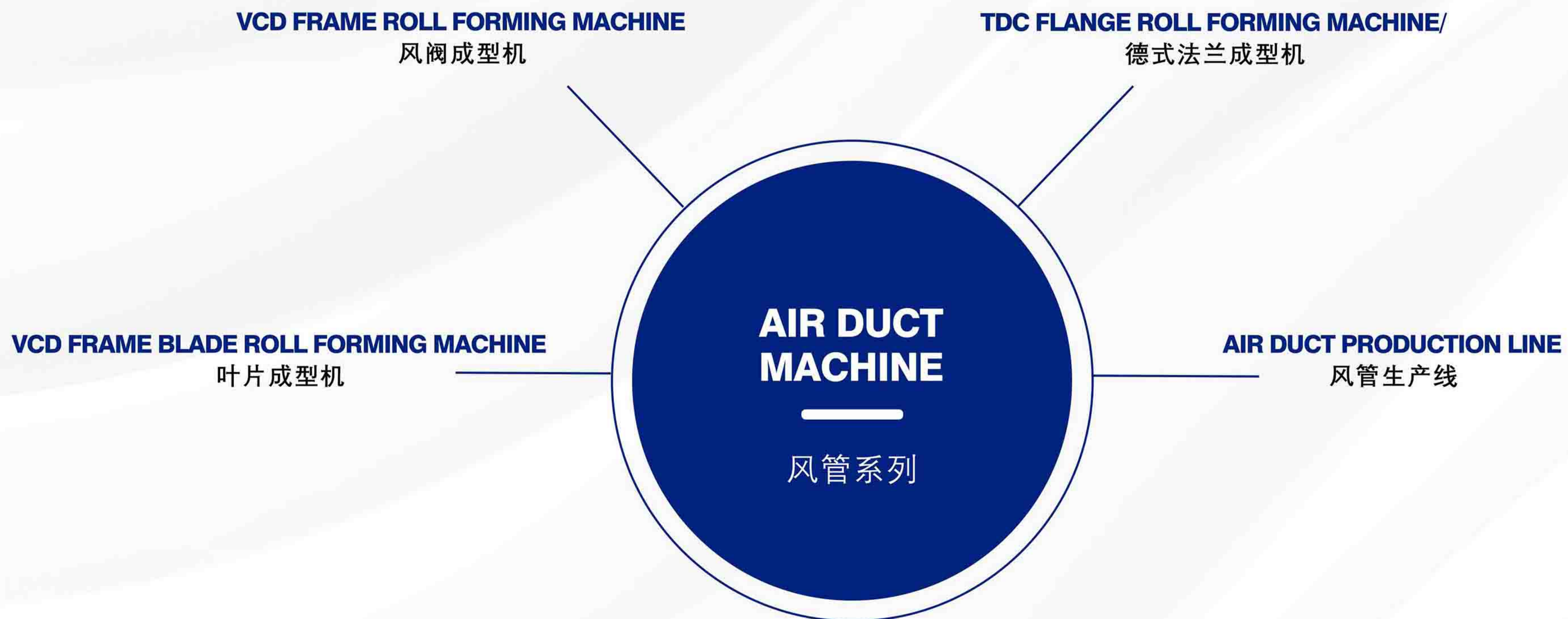


REFERENCE DRAWING



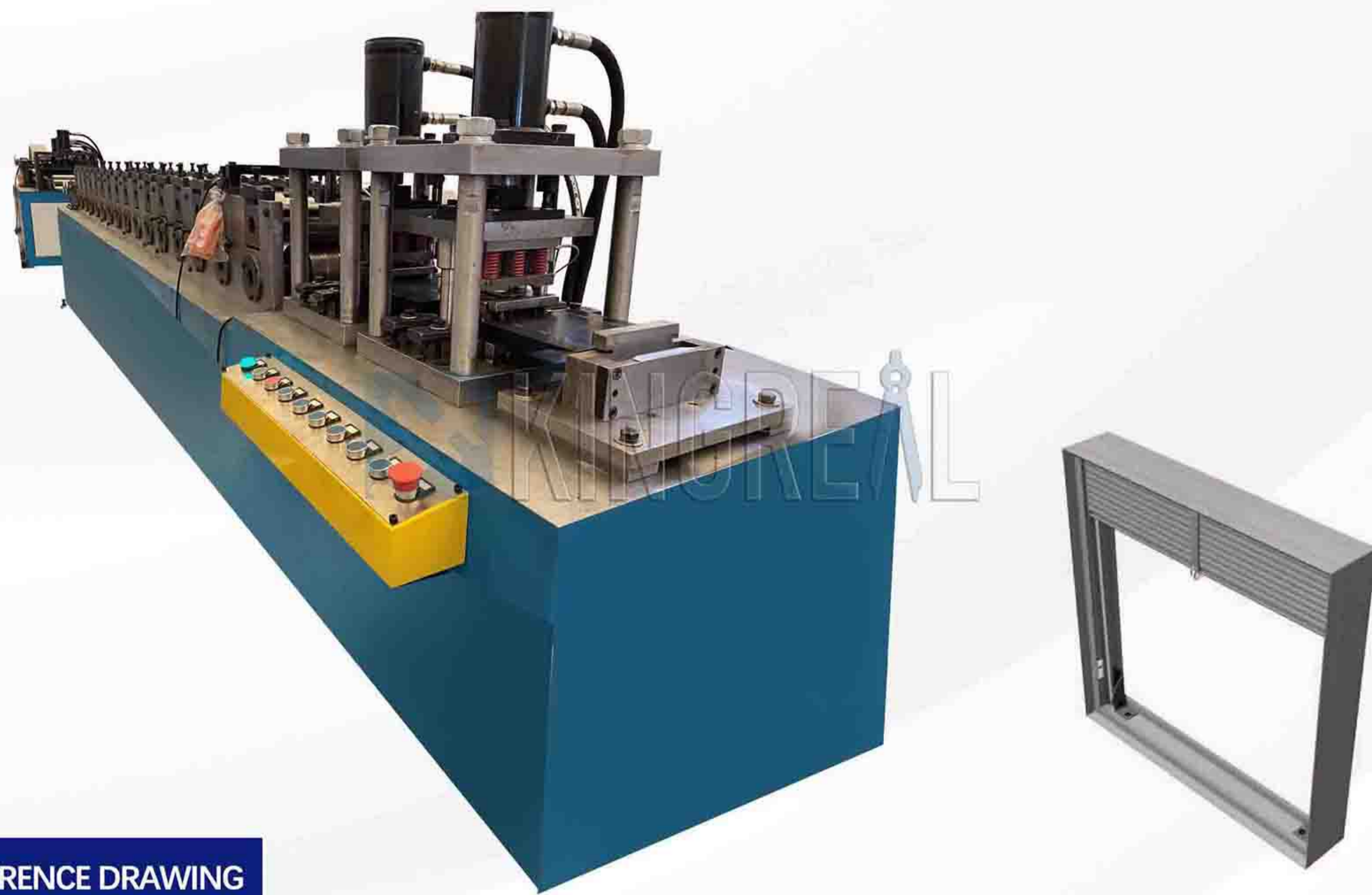
FLOOR BEARING PLATE TYPE DRAWING





► VCD FRAME MAKING MACHINE / 风阀成型机

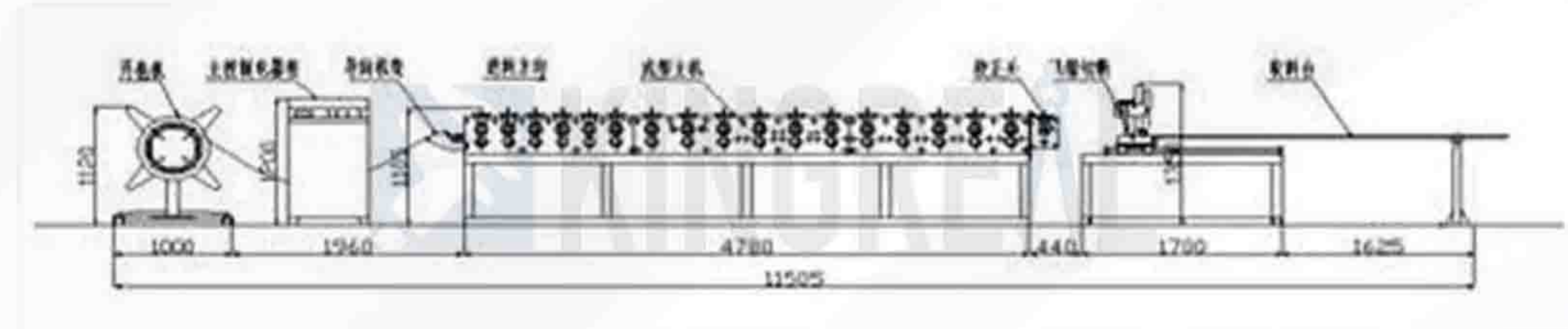
德式法兰成型机/ TDC FLANGE ROLL FORMING MACHINE ◀



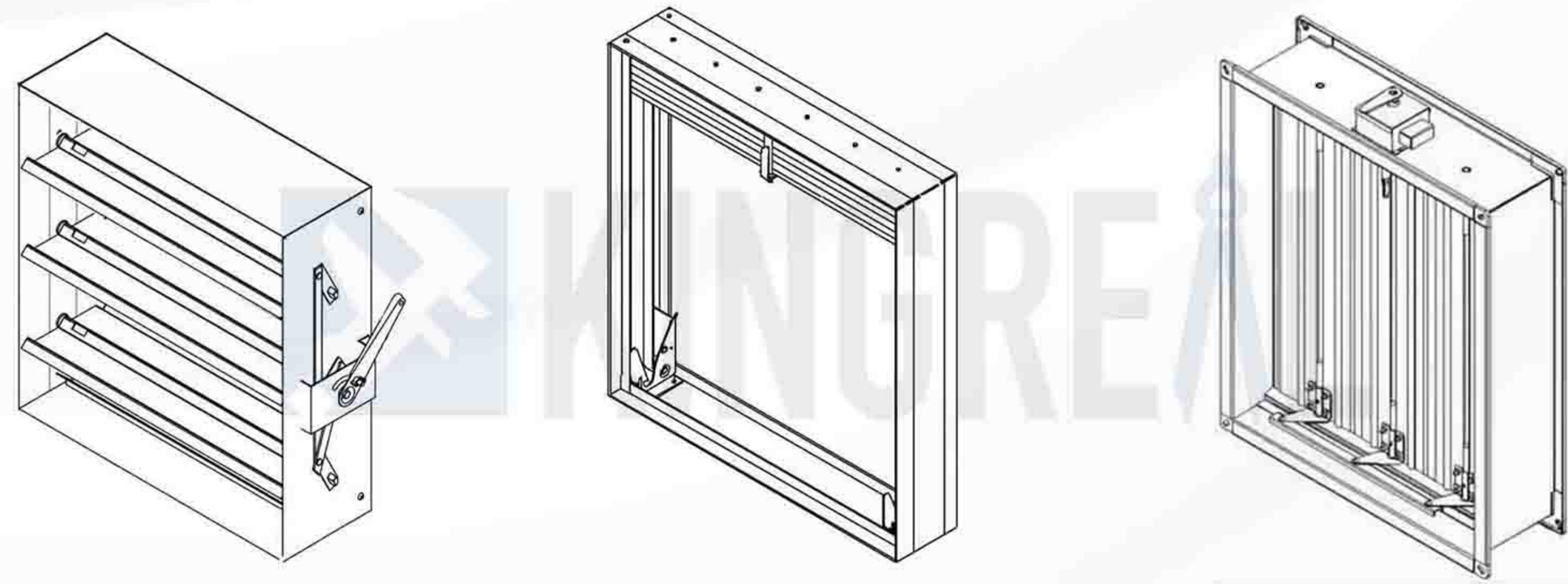
REFERENCE DRAWING



参考图纸 / CANREFERENCE DRAWING ◀



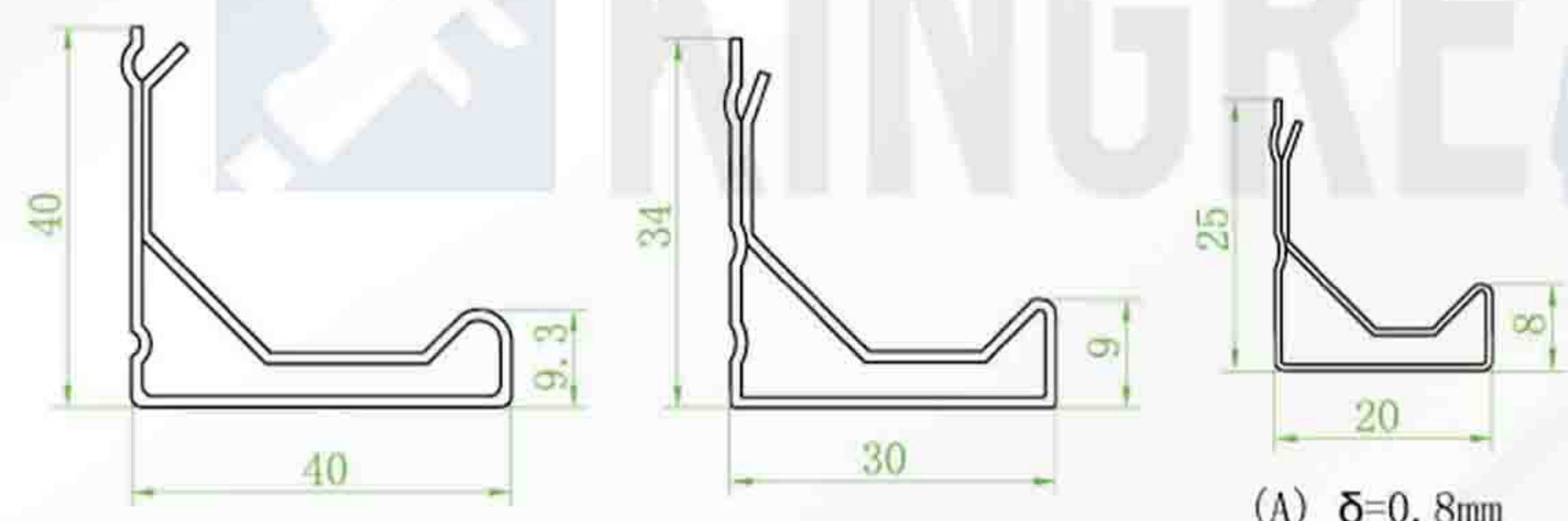
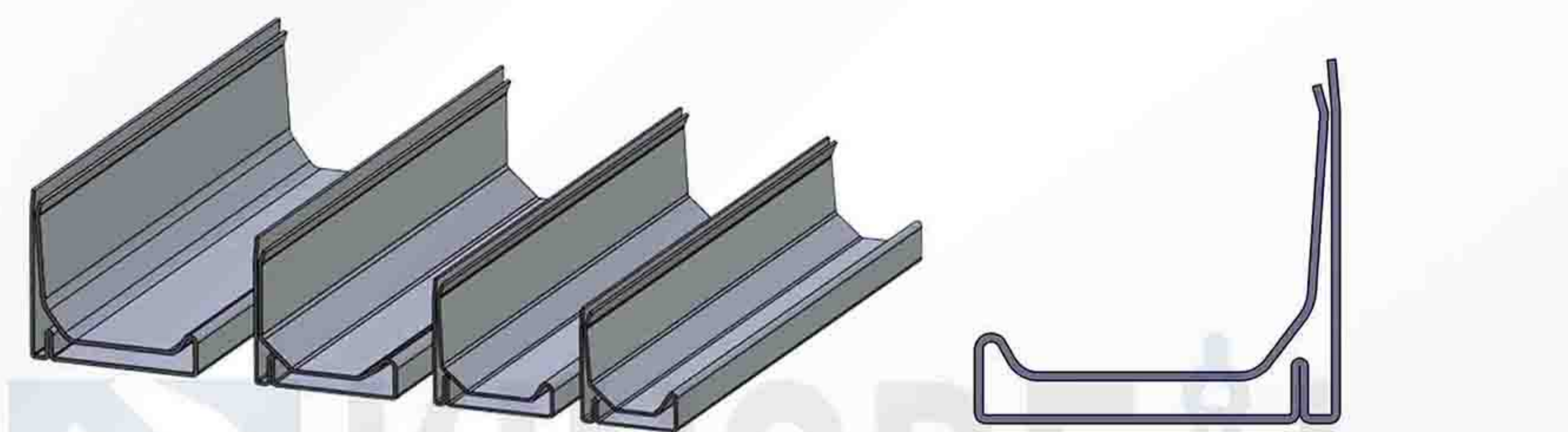
REFERENCE DRAWING



WITHOUT FLANGE

FLANGE INSIDE

FLANGE OUTSIDE

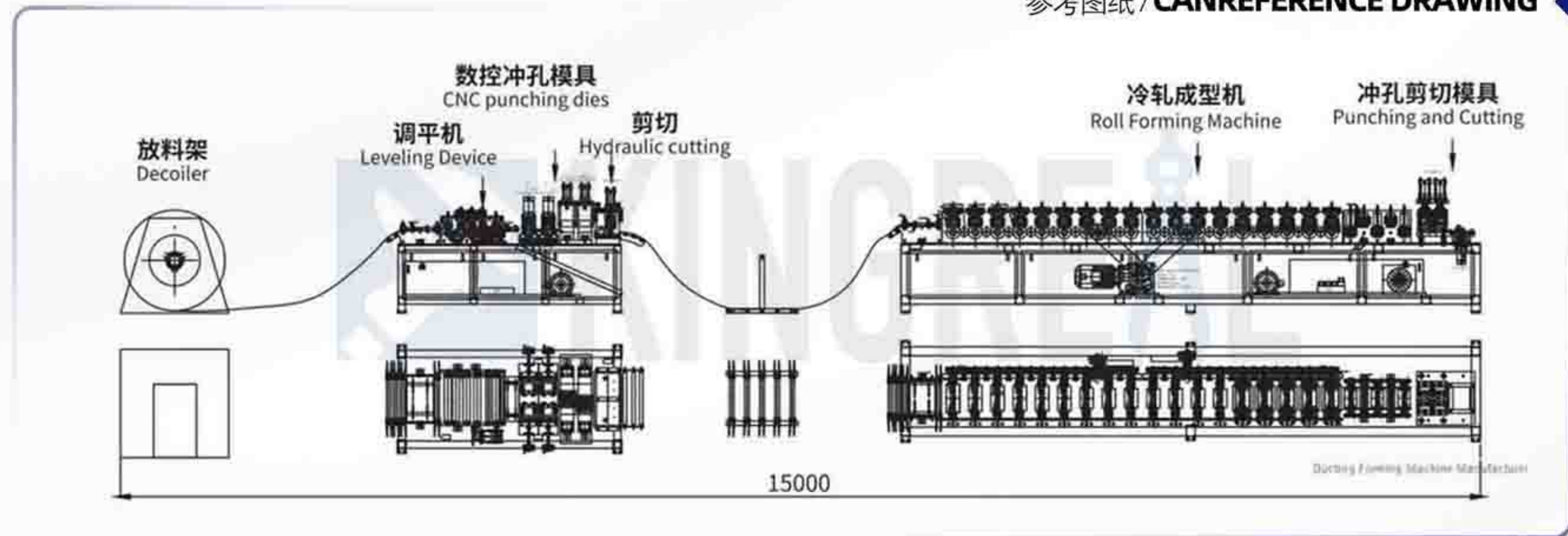


(G) $\delta=1.2\text{mm}$

(E) $\delta=0.8\text{mm}$

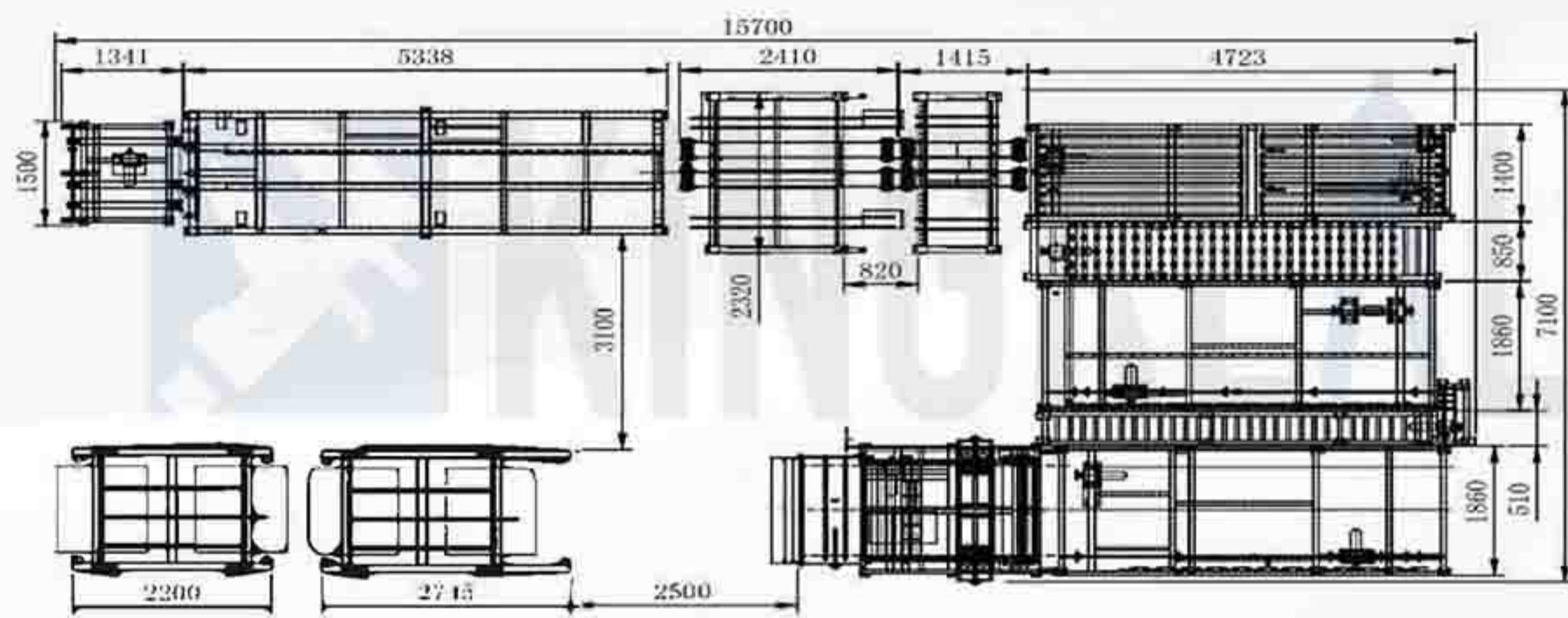
(A) $\delta=0.8\text{mm}$

参考图纸 / CANREFERENCE DRAWING ◀

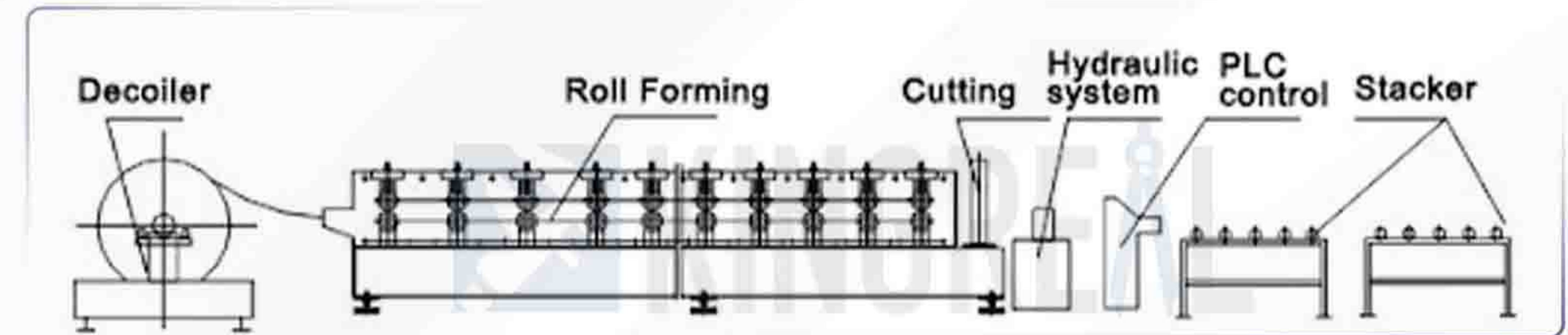


► AIR DUCT PRODUCTION LINE / 风管成型机

叶片成型机/ VCD FRAME BLADE ROLL FORMING MACHINE ◀

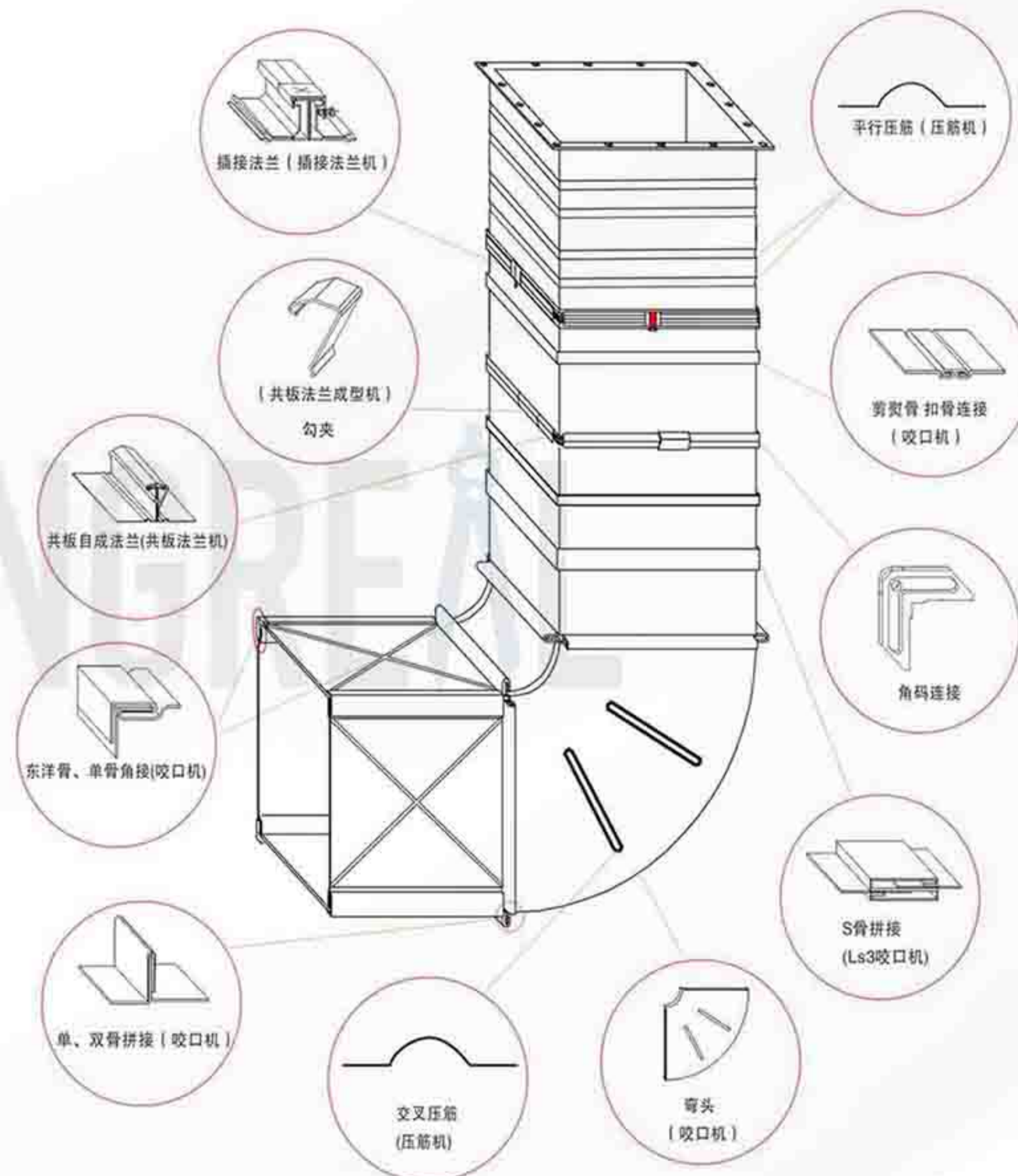
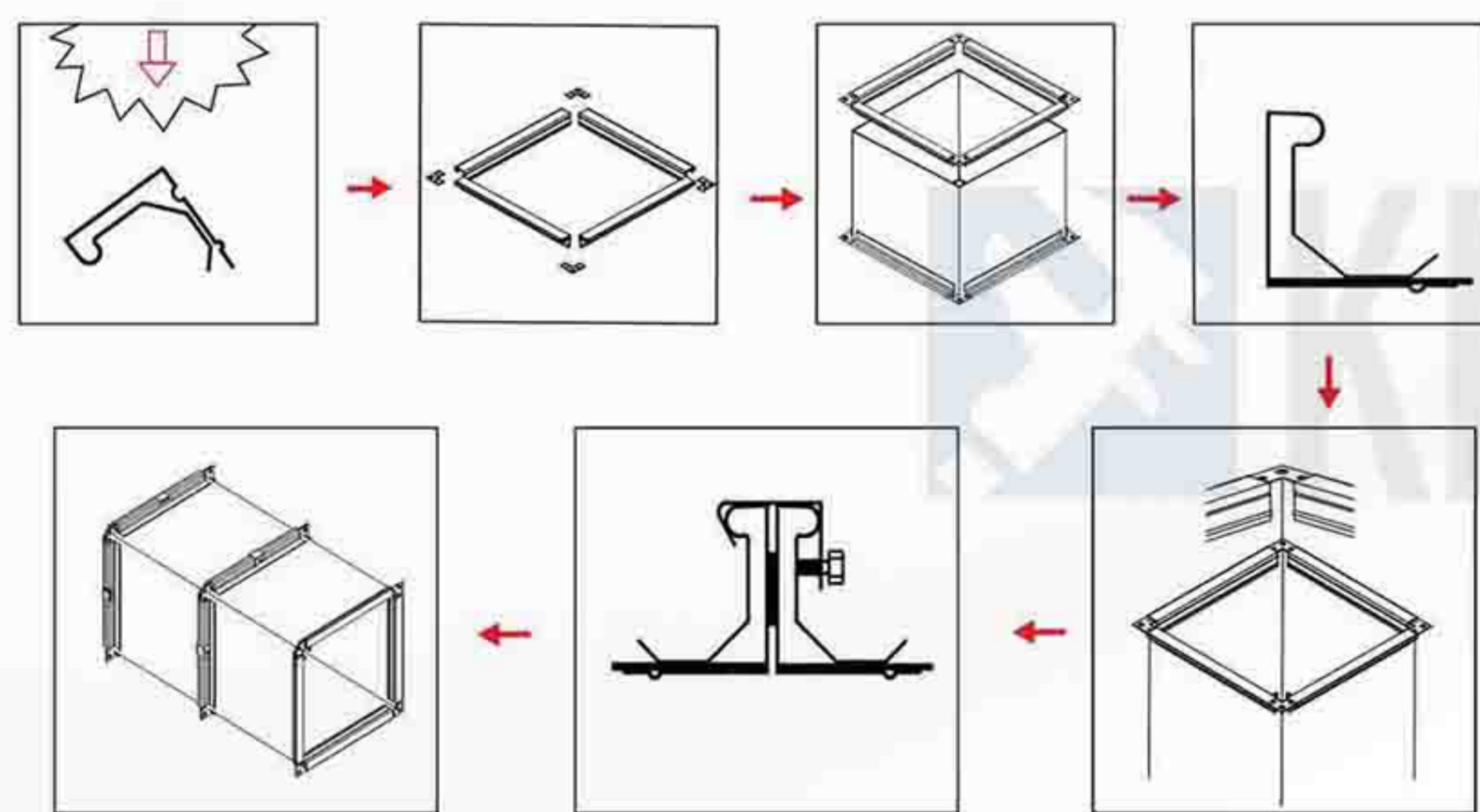


参考图纸 / CANREFERENCE DRAWING ◀

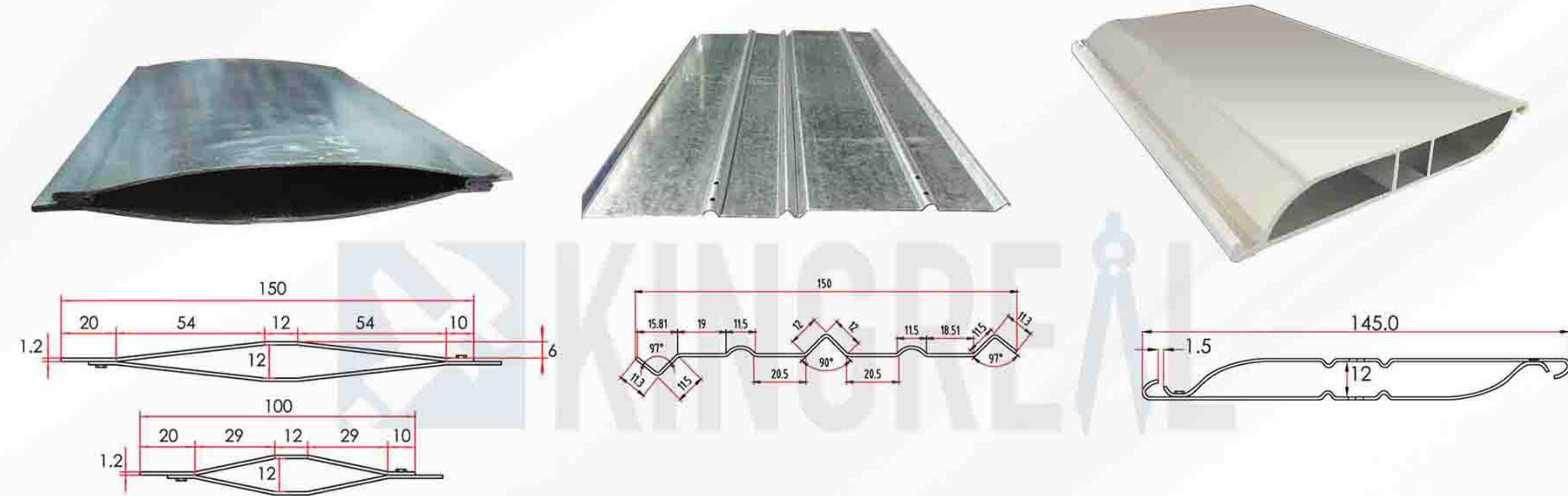


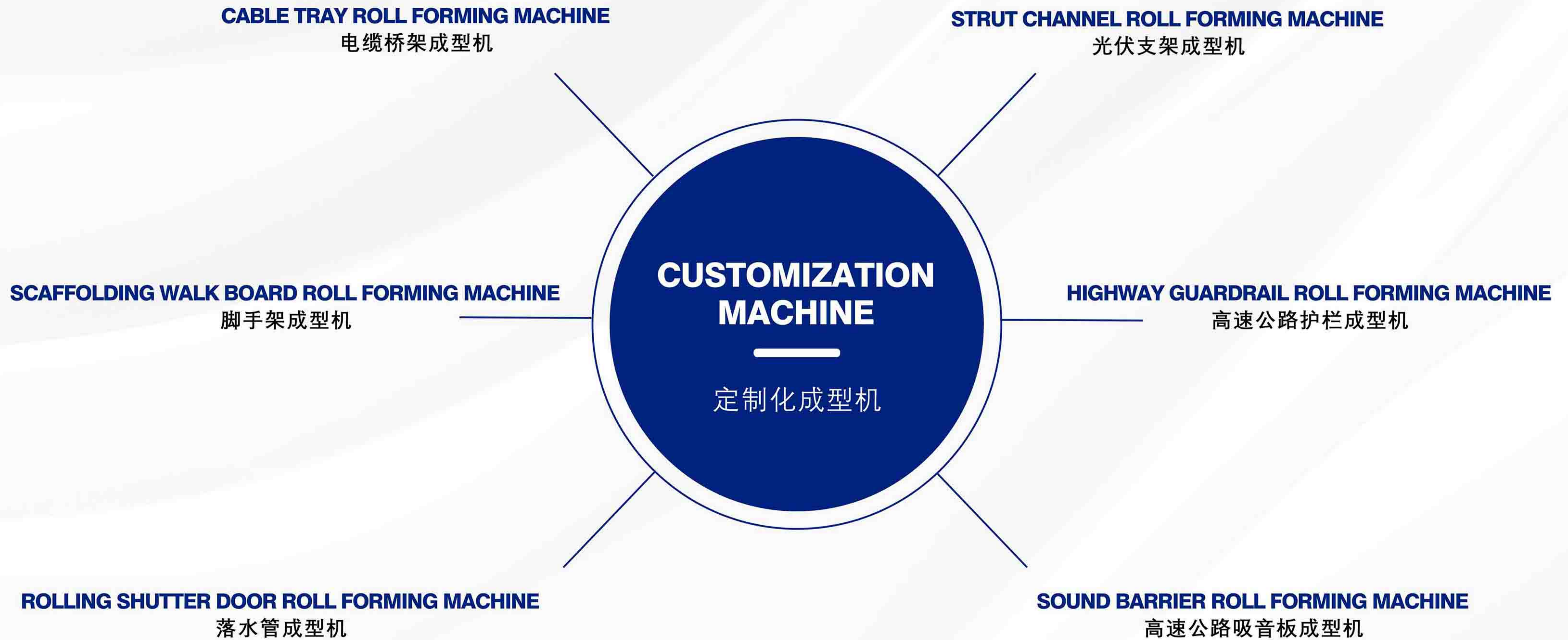
AIR DUCT SYSTEM

TDC FLANGE INSTALLATION DIAGRAM



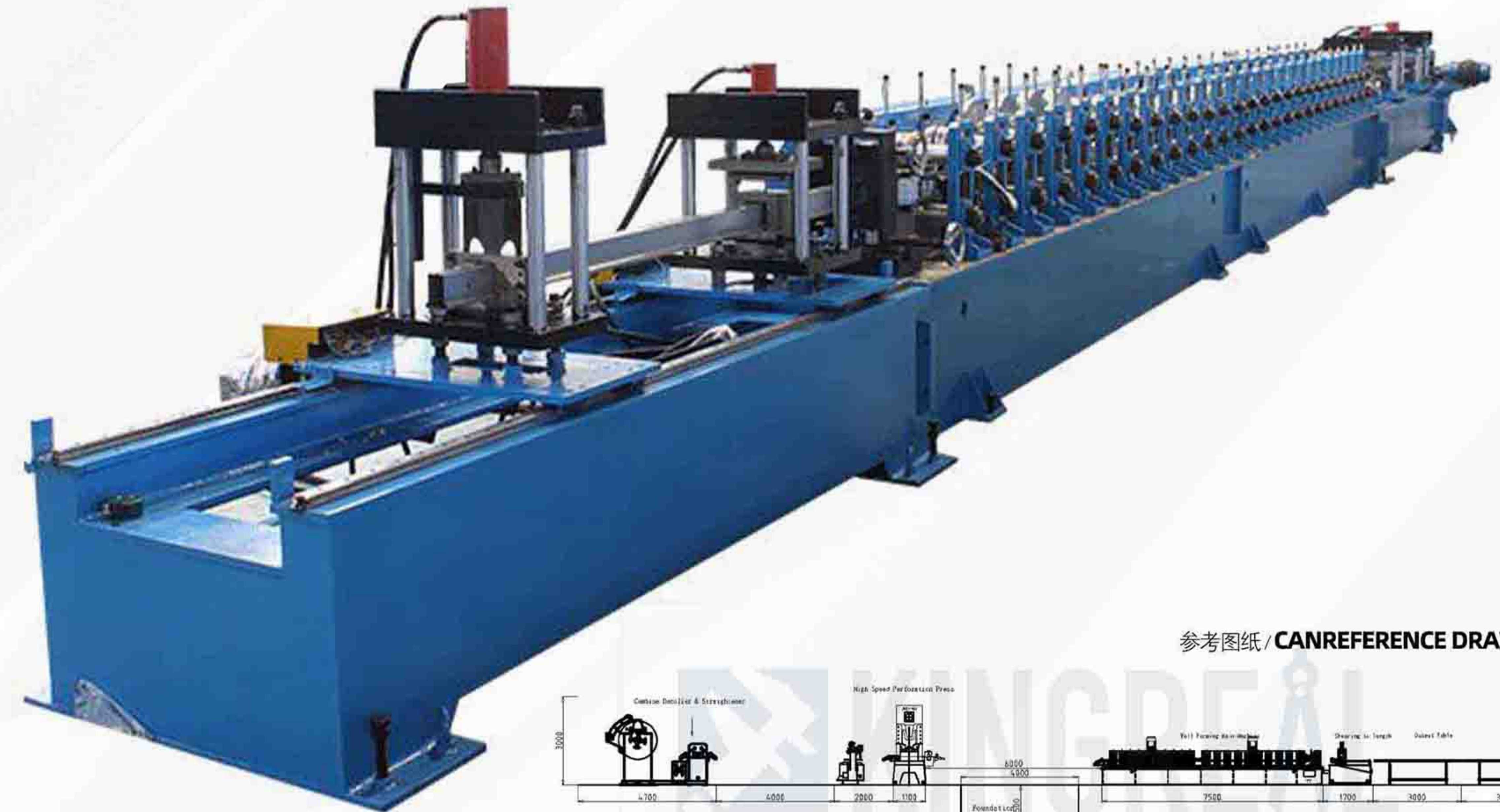
REFERENCE DRAWING



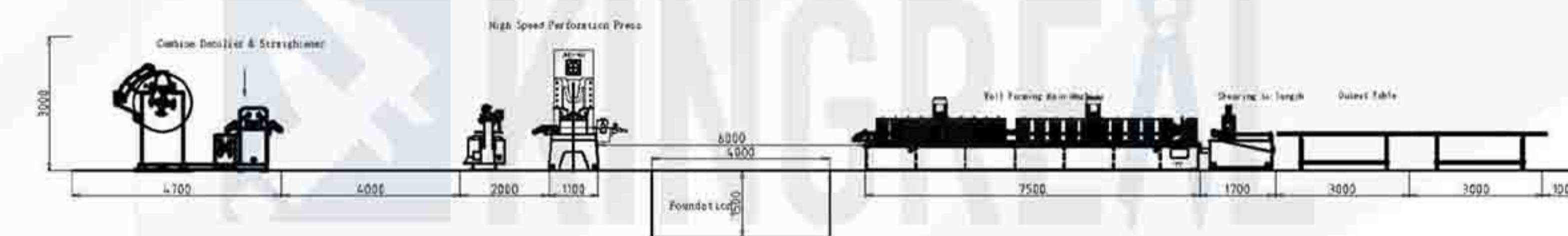


▶ **CABLE TRAY ROLL FORMING MACHINE / 电缆桥架成型机**

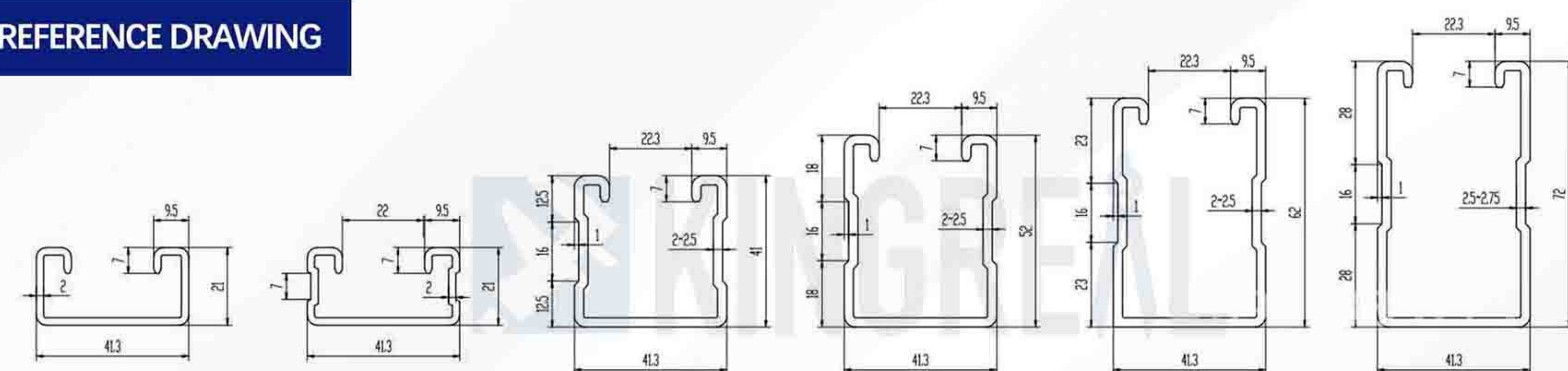
抗震&光伏支架成型机/ **UNISTRUT CHANNEL ROLL FORMING MACHINE** ◀



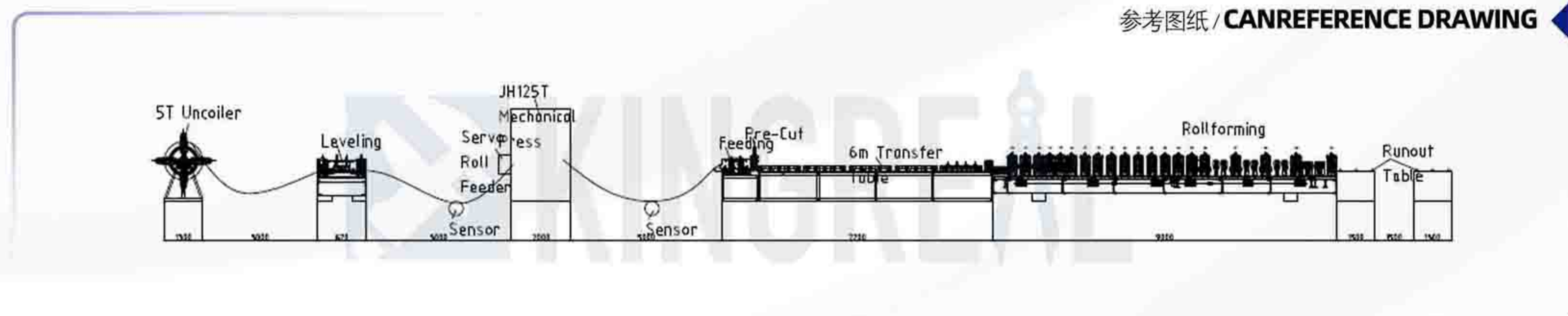
参考图纸 / CANREFERENCE DRAWING ◀



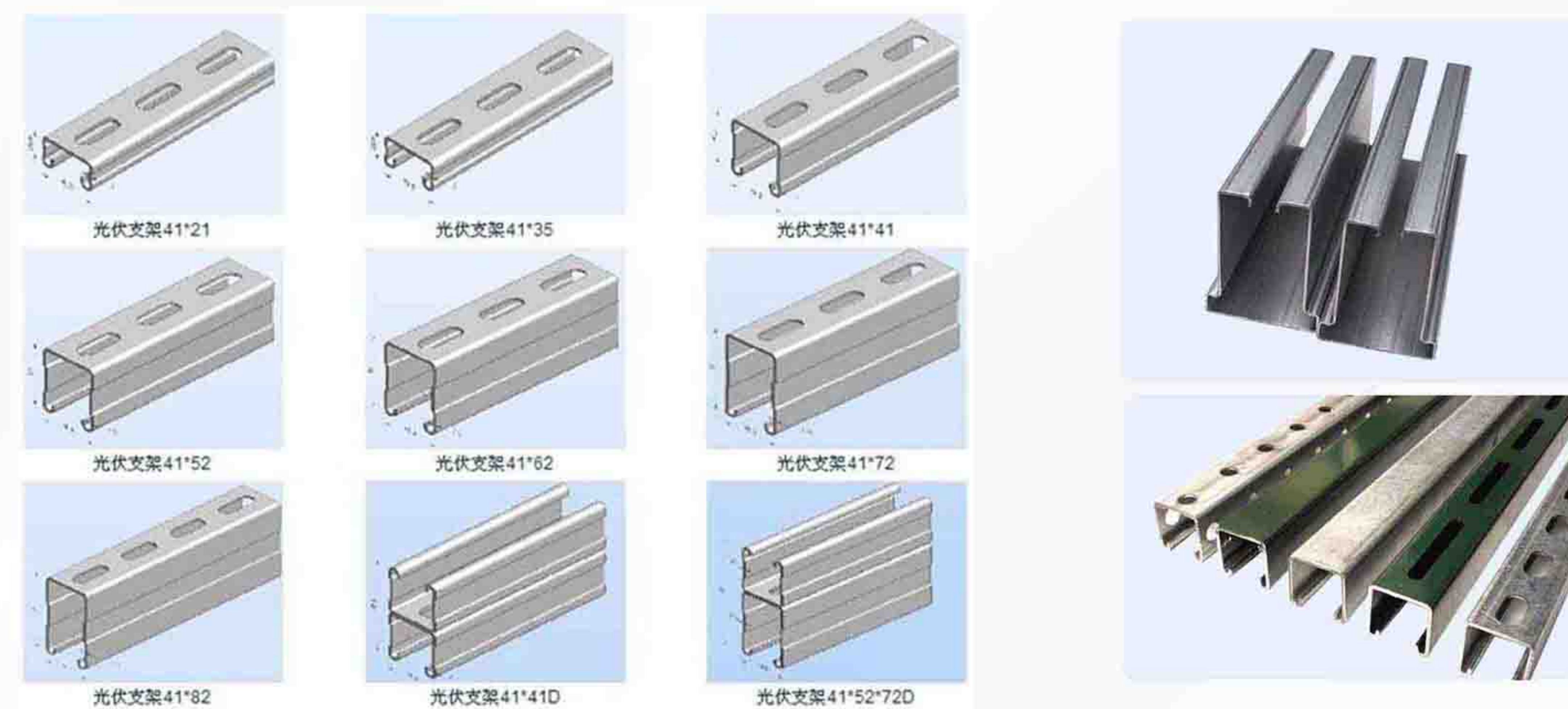
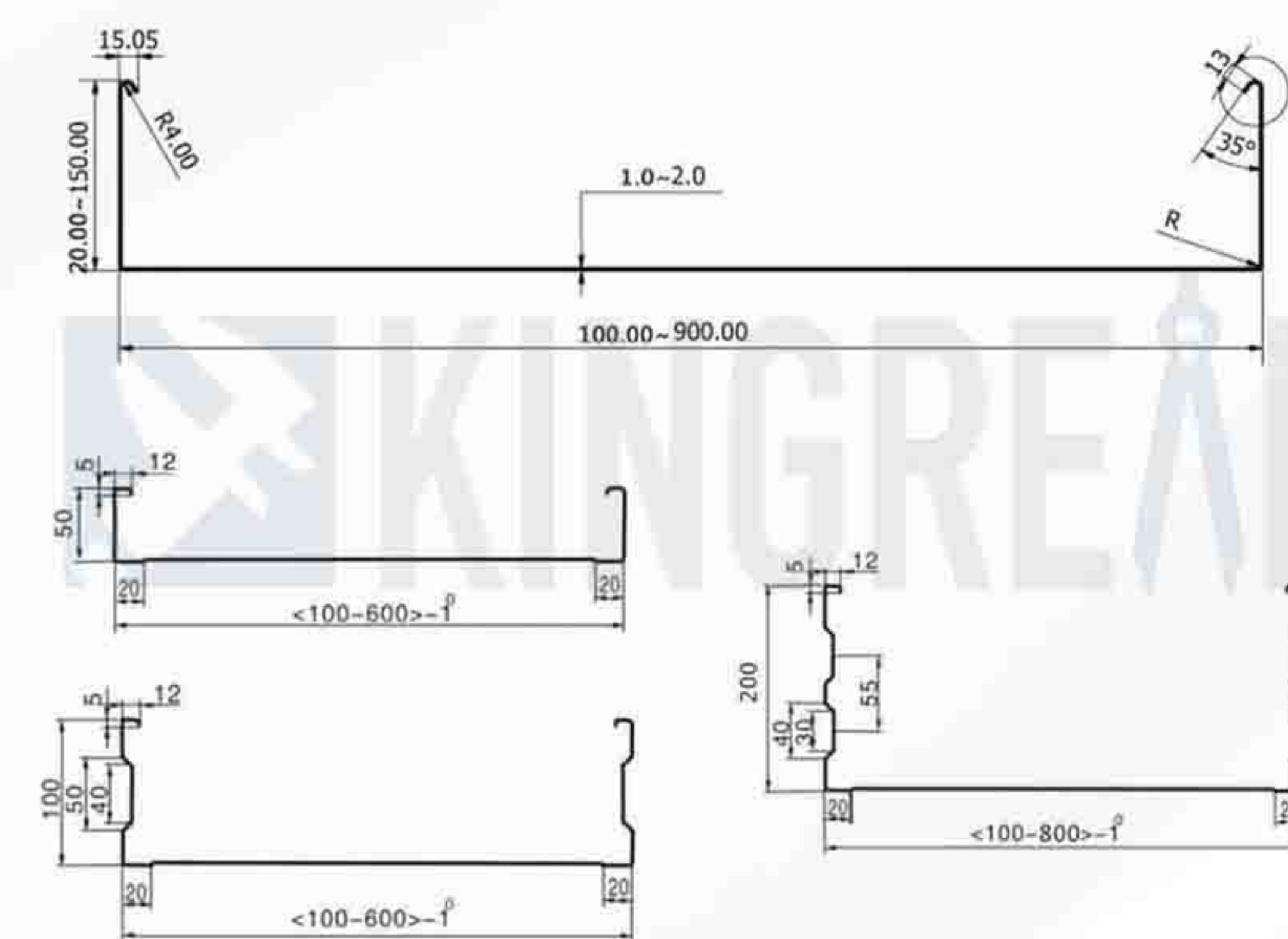
REFERENCE DRAWING



参考图纸 / CANREFERENCE DRAWING ◀



REFERENCE DRAWING



光伏支架41*21

光伏支架41*35

光伏支架41*41

光伏支架41*52

光伏支架41*62

光伏支架41*72

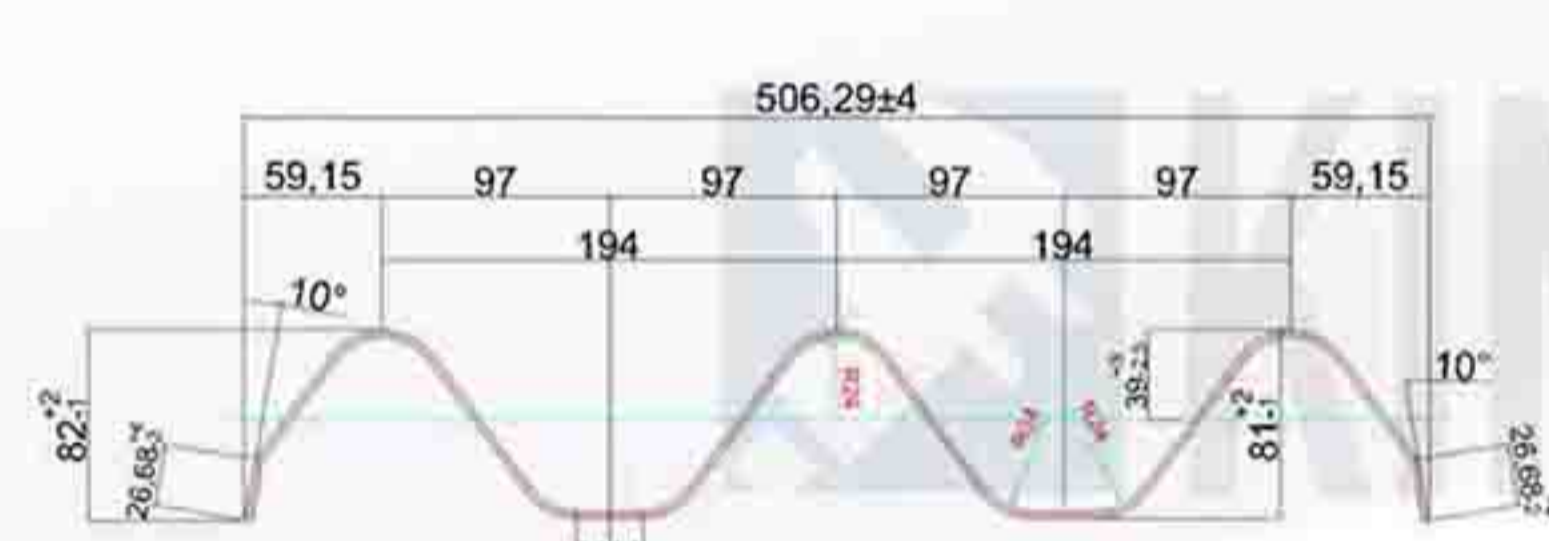
光伏支架41*82

光伏支架41*41D

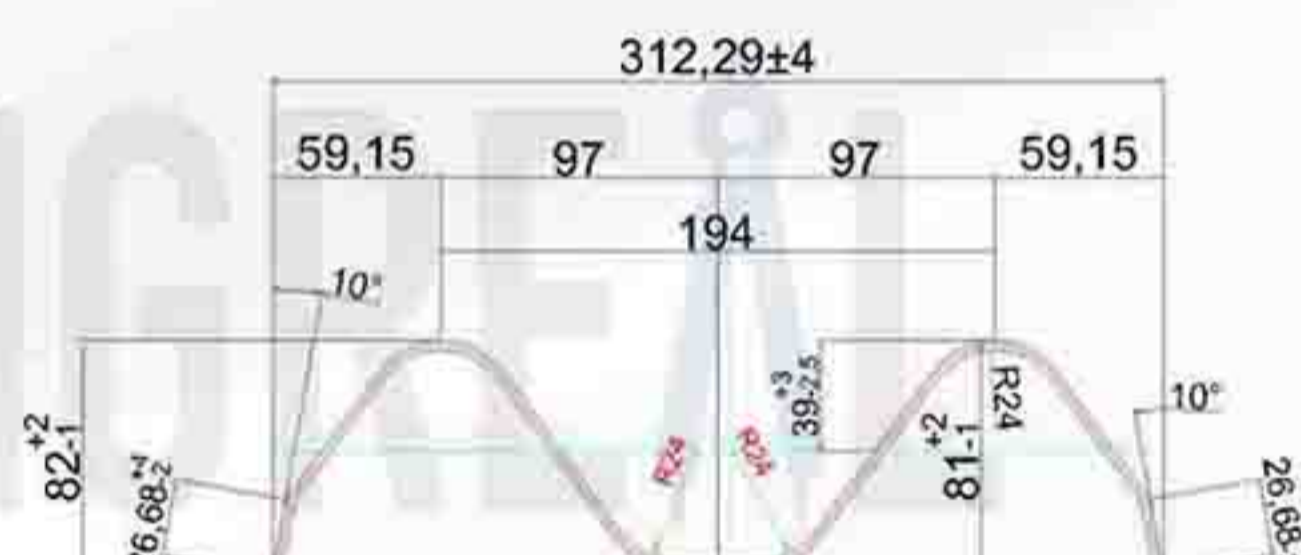
光伏支架41*52*72D

► **HIGHWAY GUARDRAIL ROLL FORMING MACHINE** / 高速公路护栏成型机

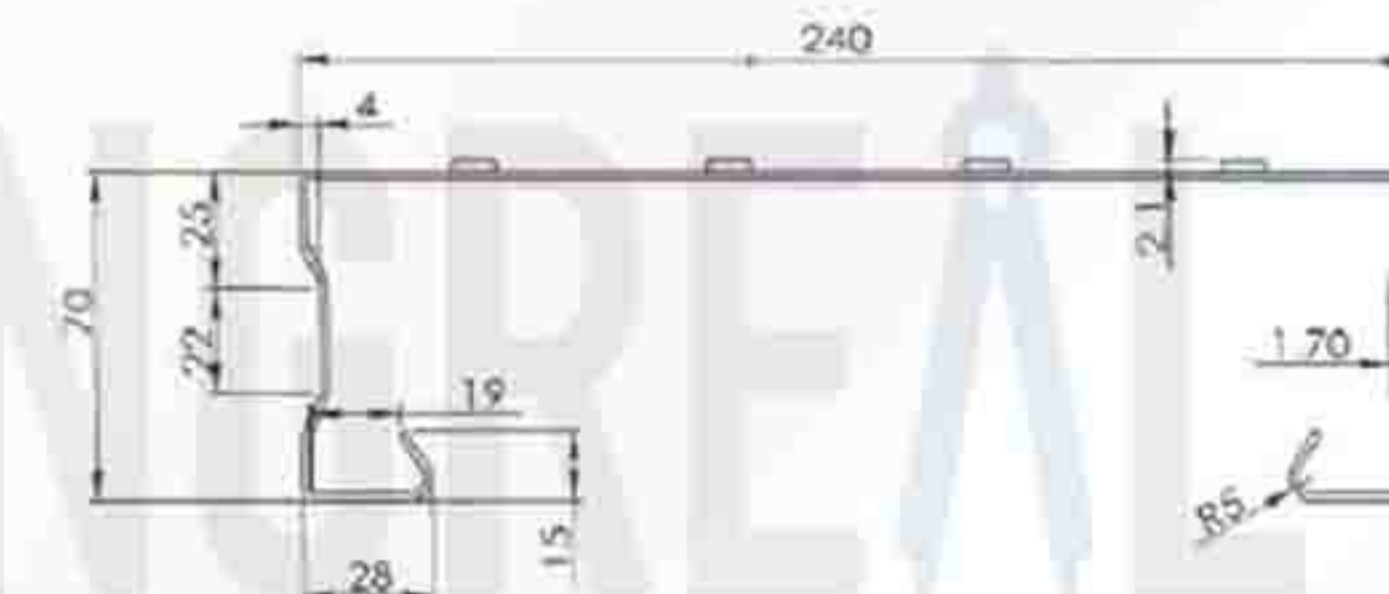
脚手架成型机/ **SCAFFOLDING WALK BOARD ROLL FORMING MACHINE** ◀



coil width: 740mm

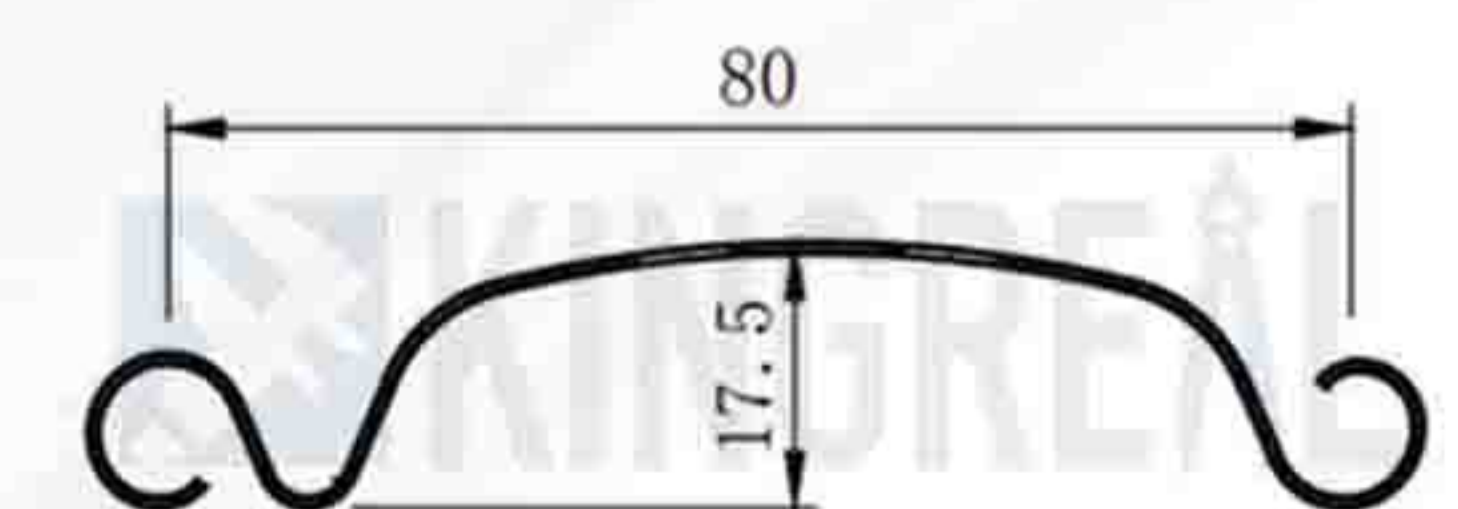
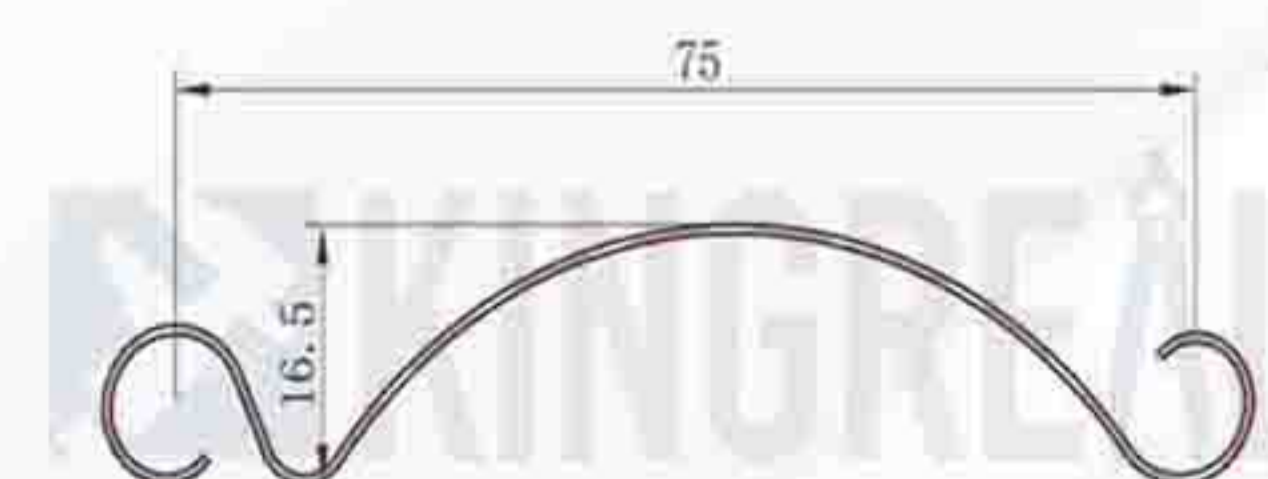
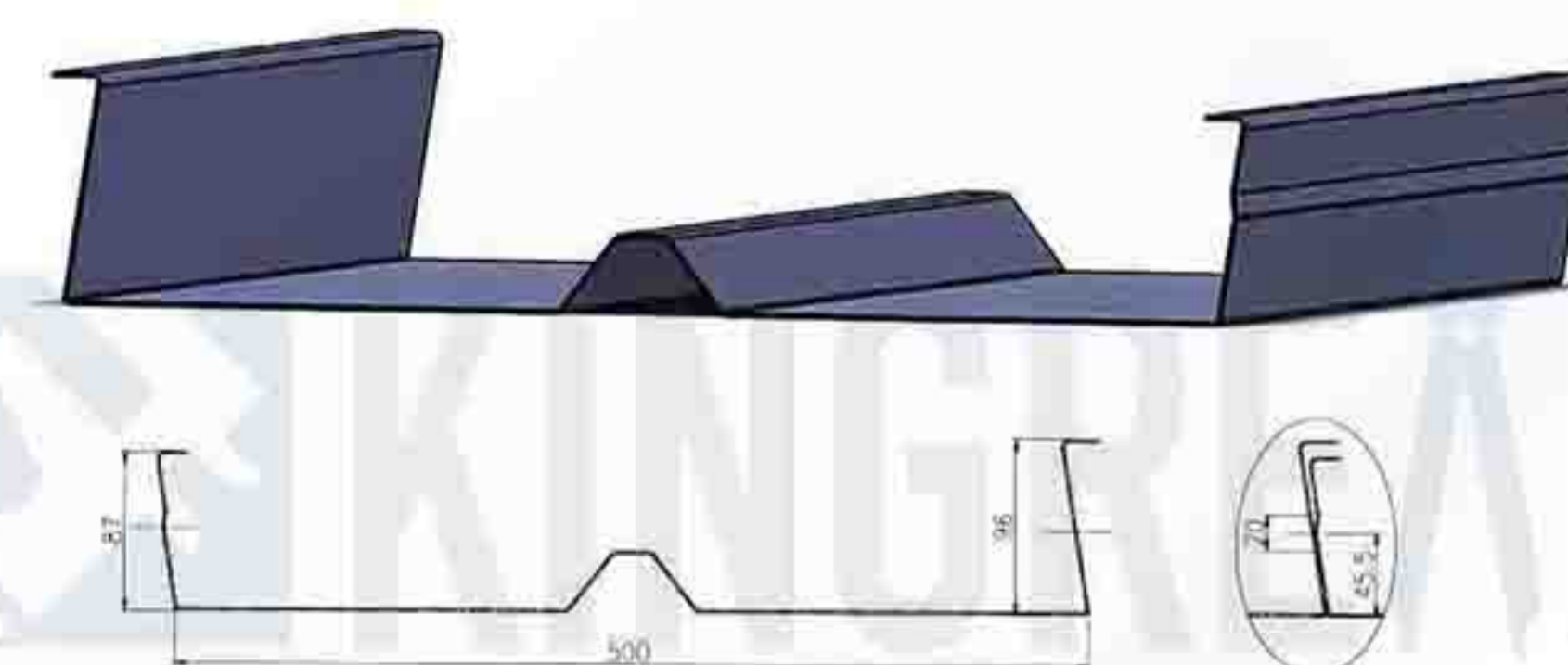
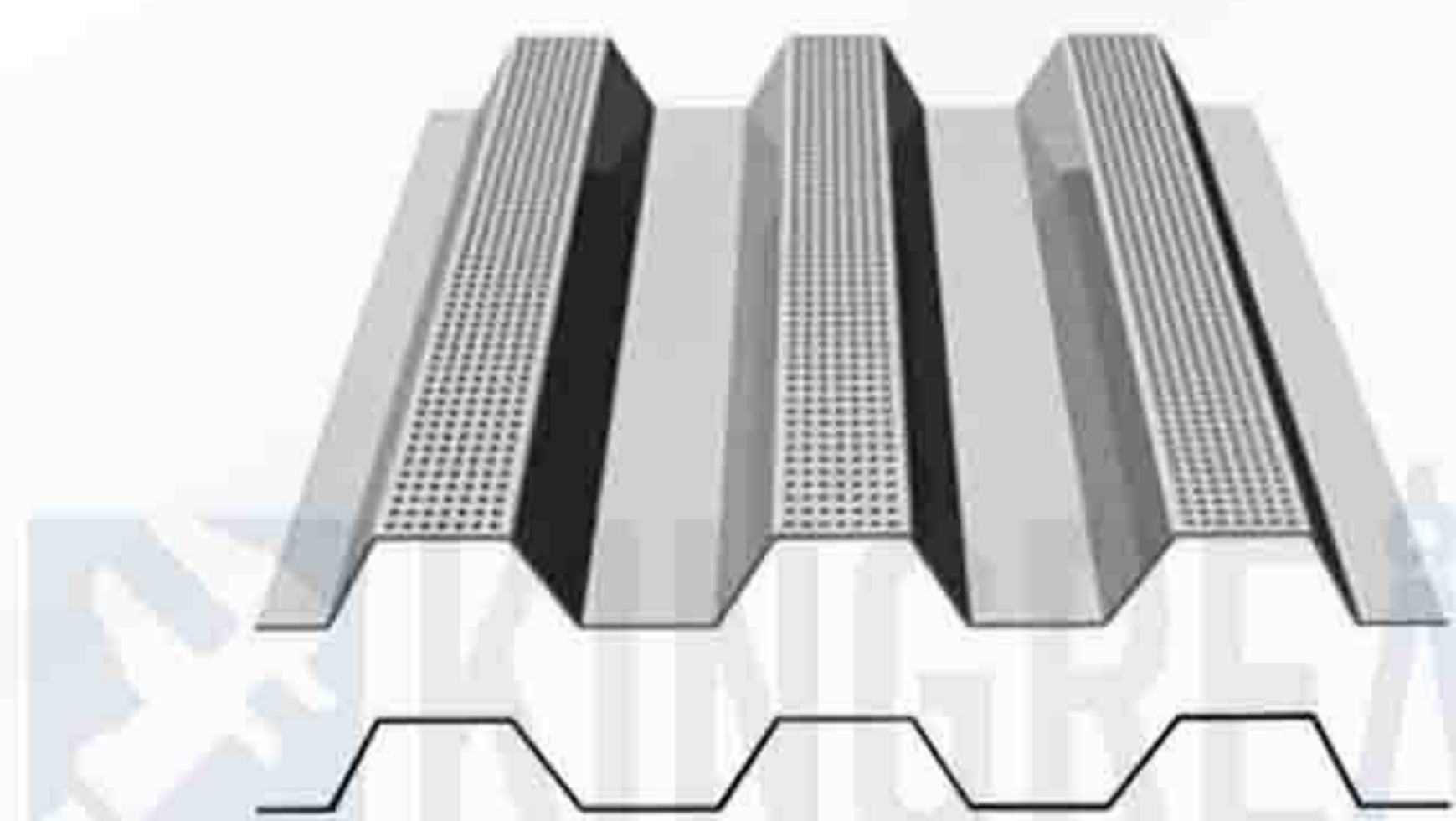


coil width: 476mm



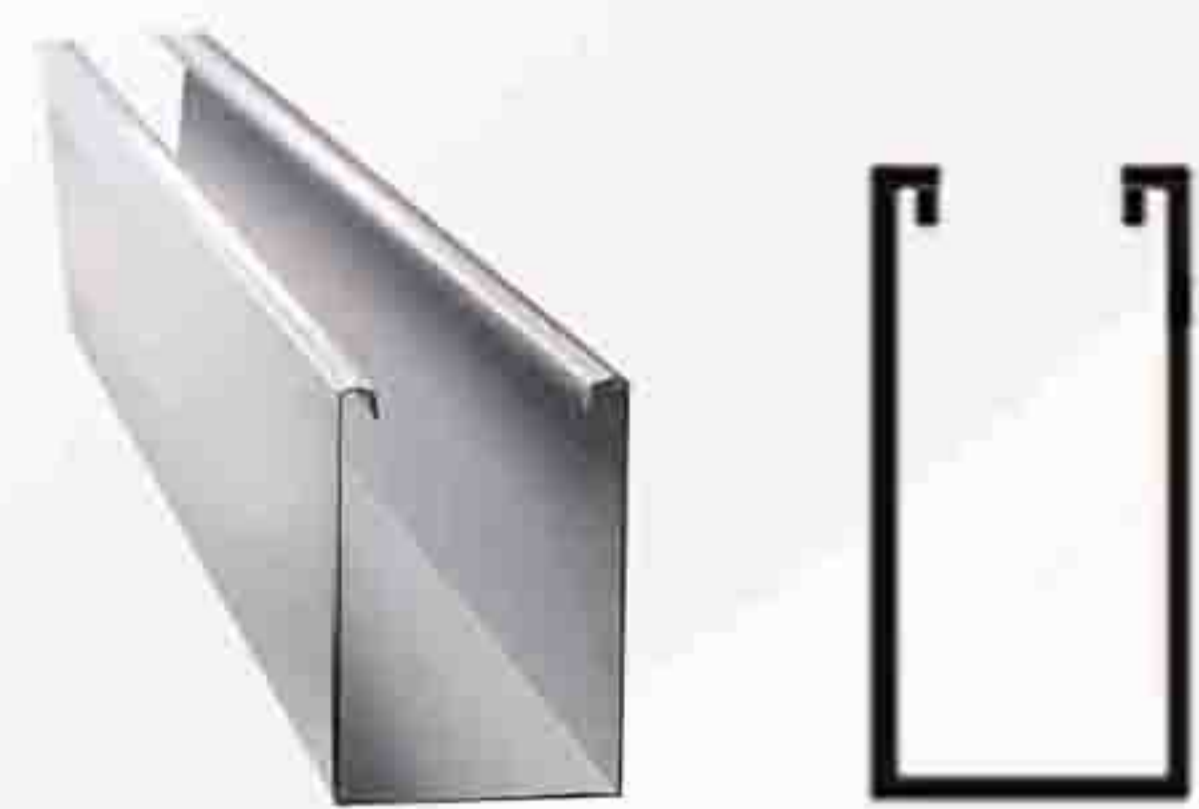
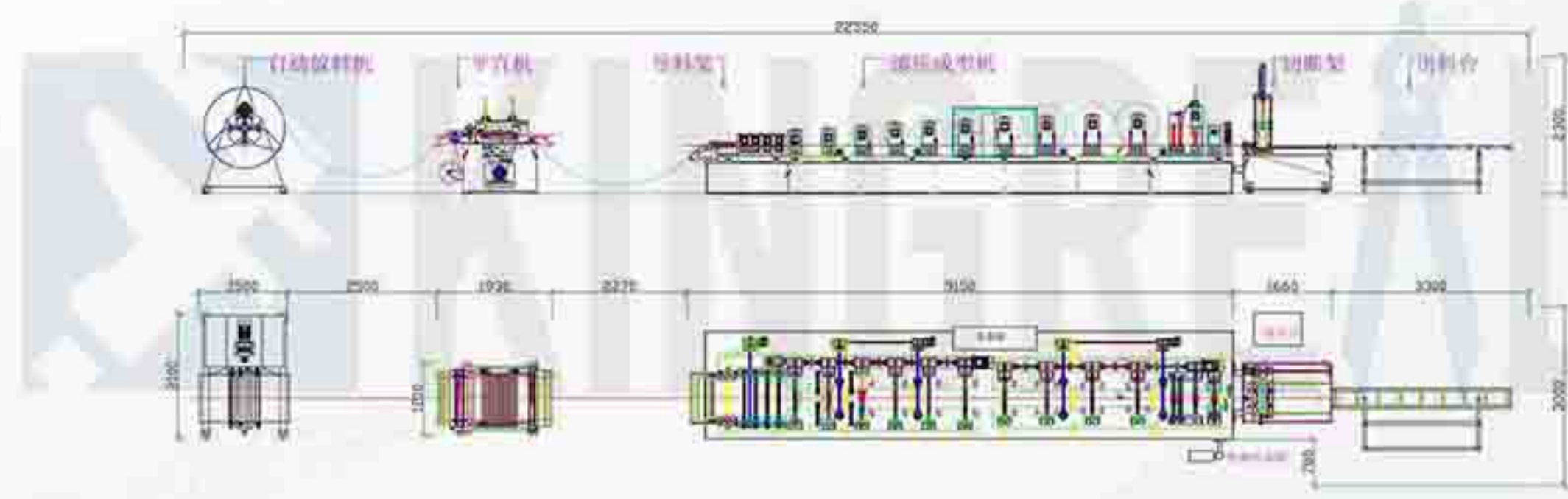
► **SOUND BARRIER ROLL FORMING MACHINE** / 高速公路吸音板成型机

卷闸门成型机/ **ROLLING SHUTTER DOOR ROLL FORMING MACHINE** ◀

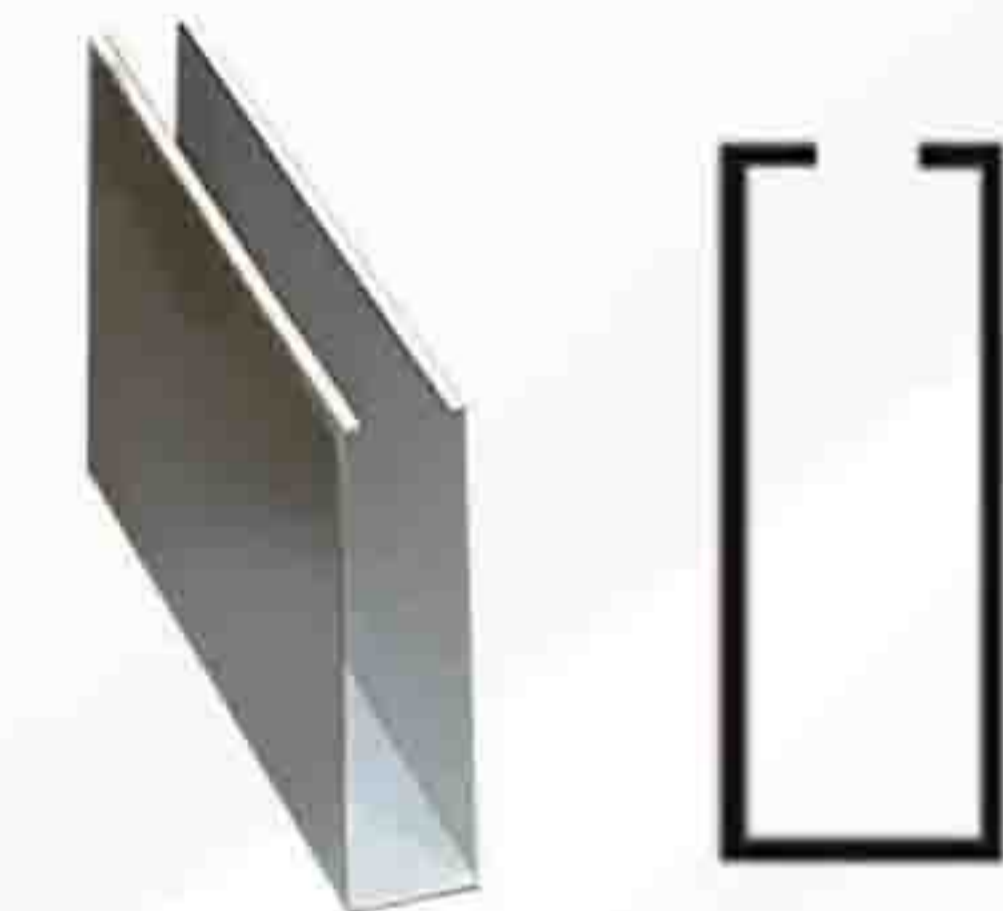


U BAFFLE CELING ROLL FORMING MACHINE / 方通成型机

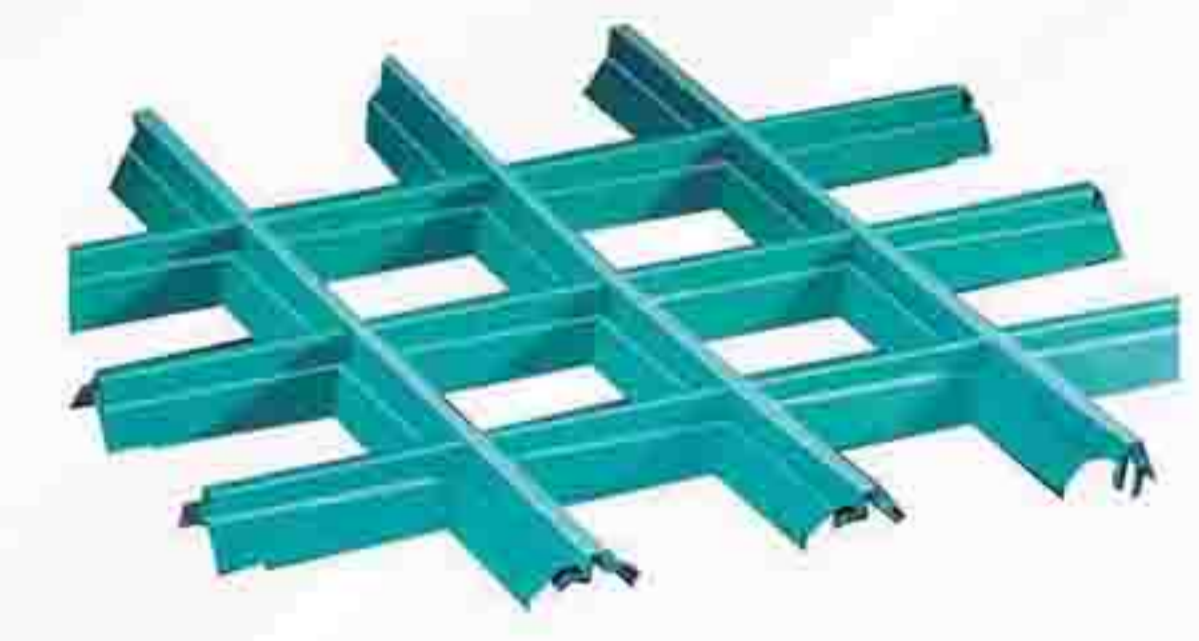
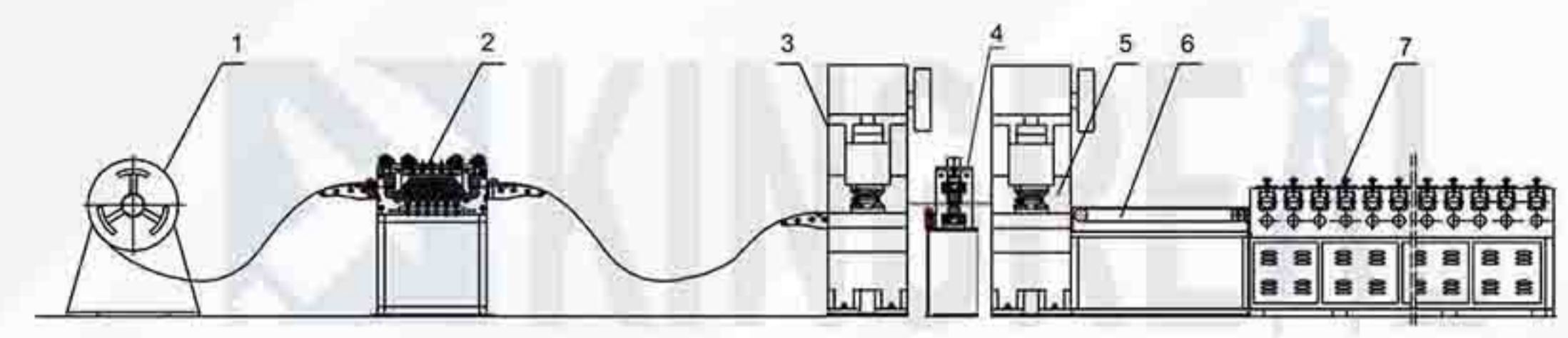
格栅成型机/ OPEN CELL CEILING ROLL FORMING MACHINE



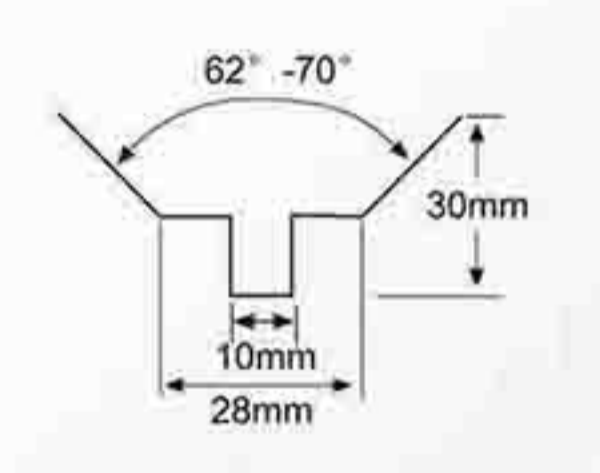
U BAFFLE WITH U BENT



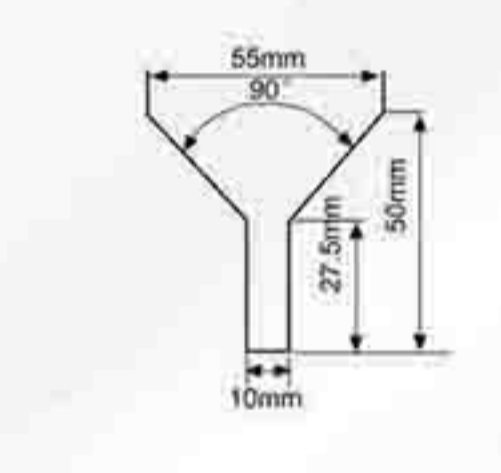
U BAFFLE



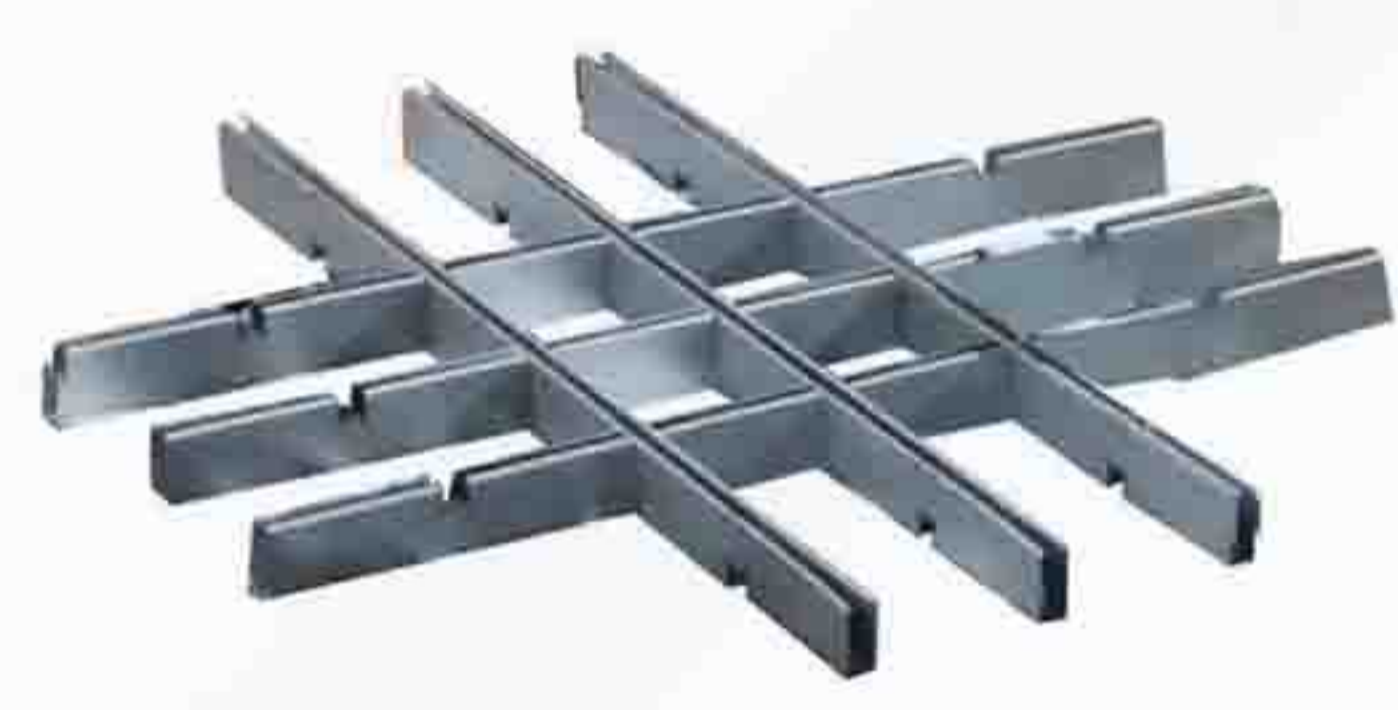
PYRAMID OPEN CELL CEILING



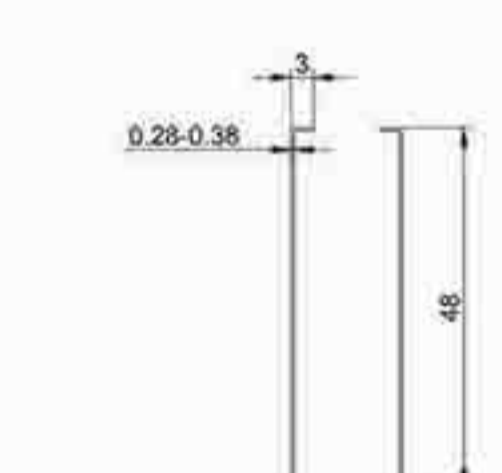
Low pyramid open cell ceiling



High pyramid open cell ceiling



C SHAPE OPEN CELL CEILING

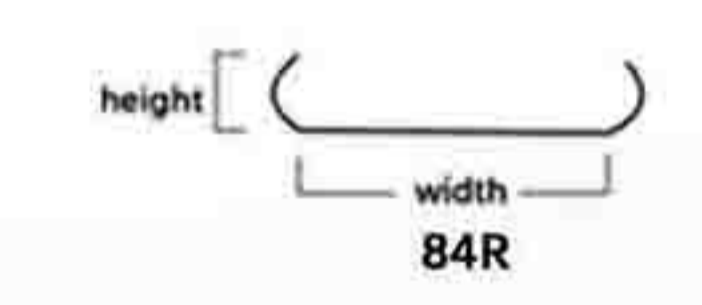


Strip width: 114MM
Raw Materials: 0.28MM GI
0.38MM ALUMINUM

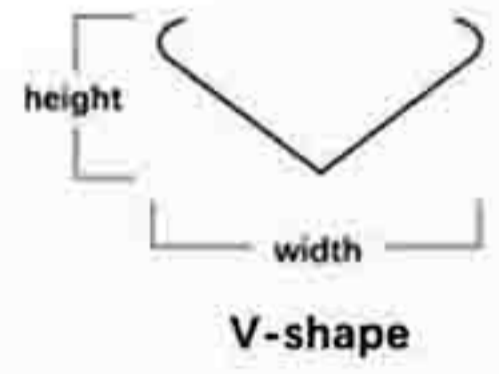


LINEAR STRIP CEILING ROLL FORMING MACHINE / 条扣成型机

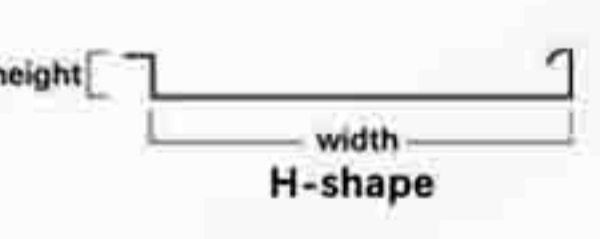
卡骨成型机/ METAL CEILING CARRIERS ROLL FORMING MACHINE



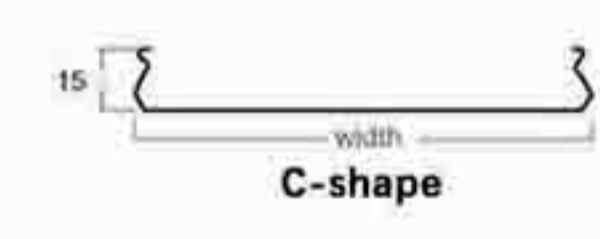
84R



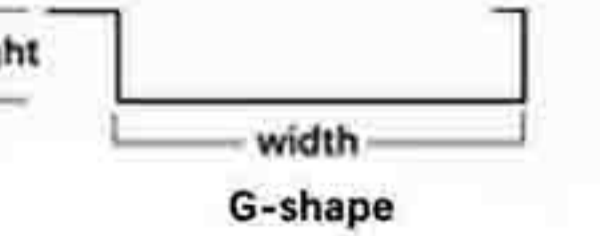
V-shape



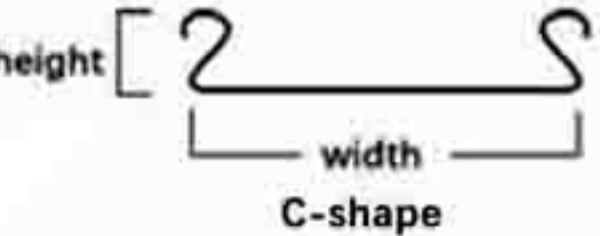
H-shape



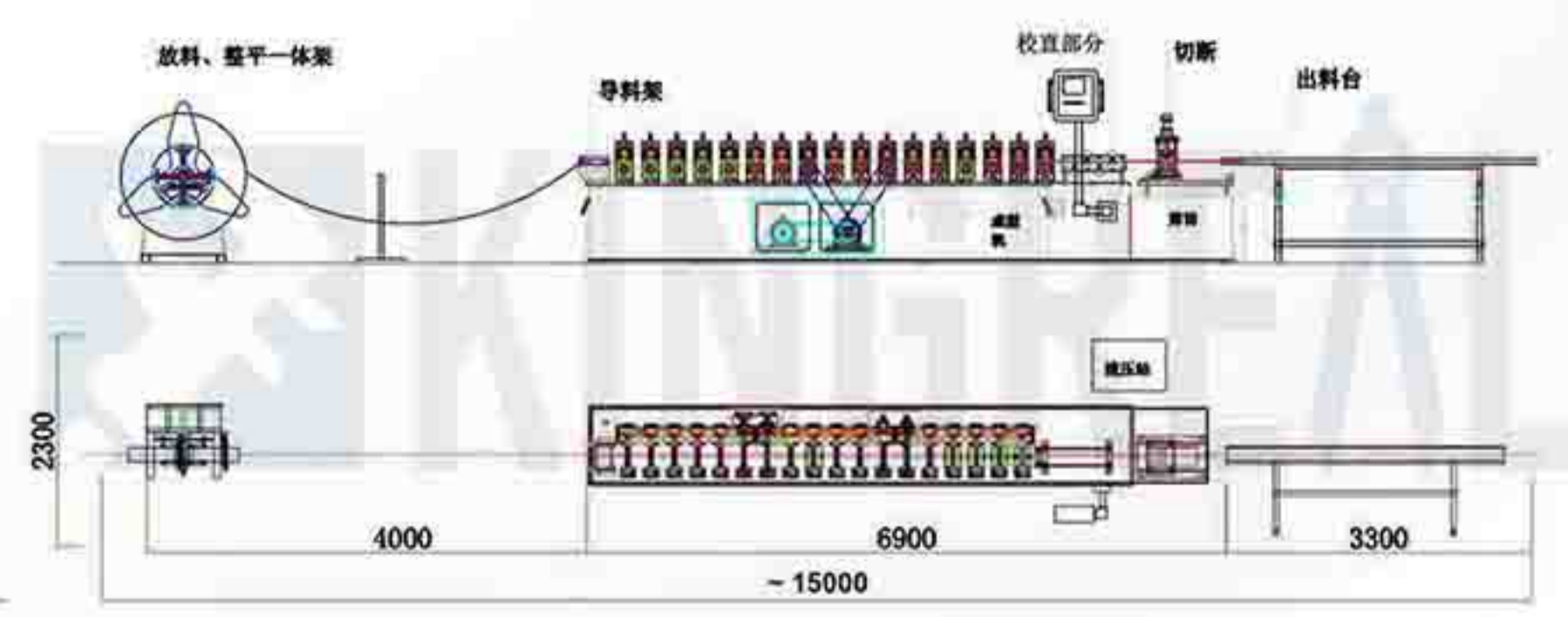
C-shape



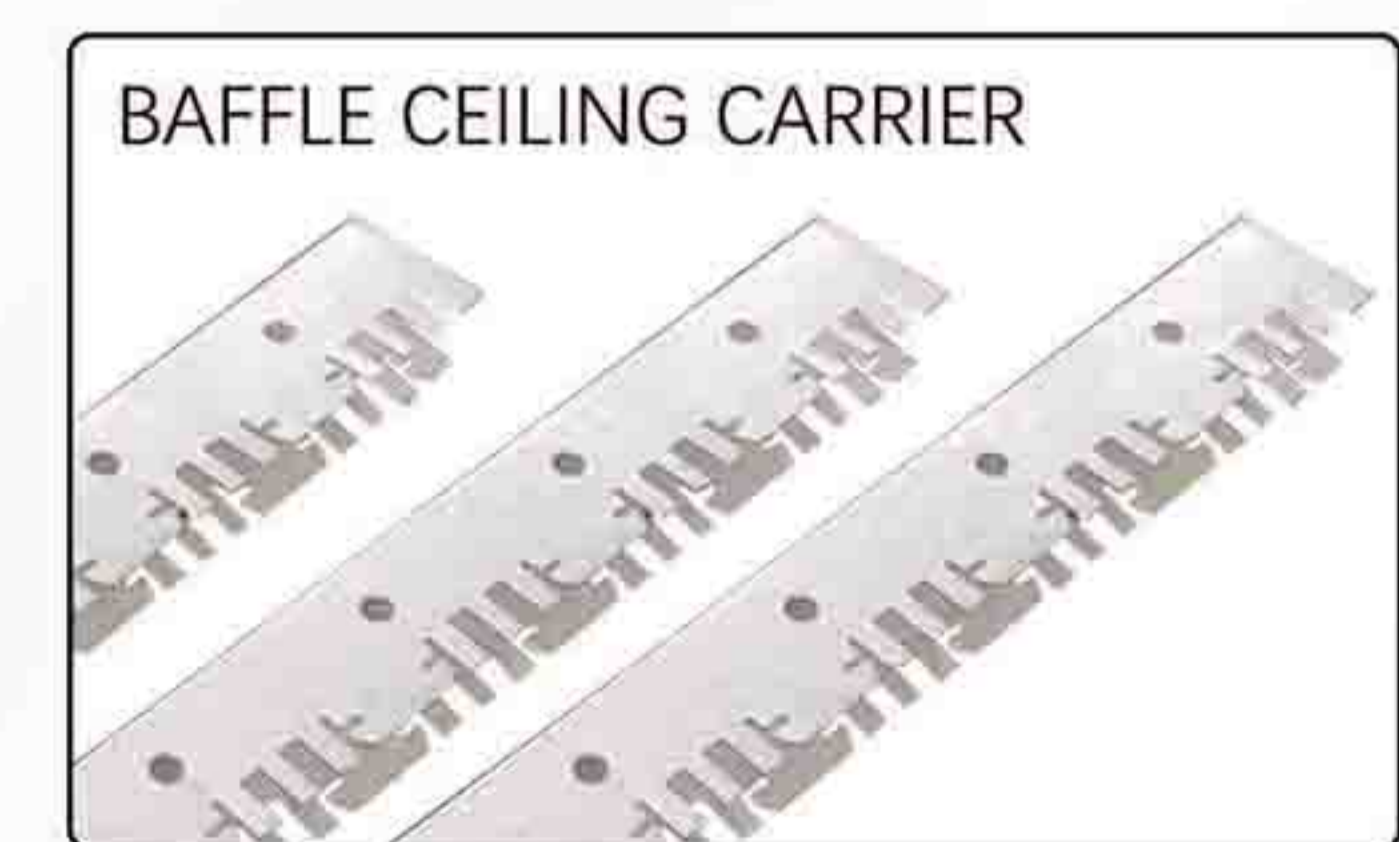
G-shape



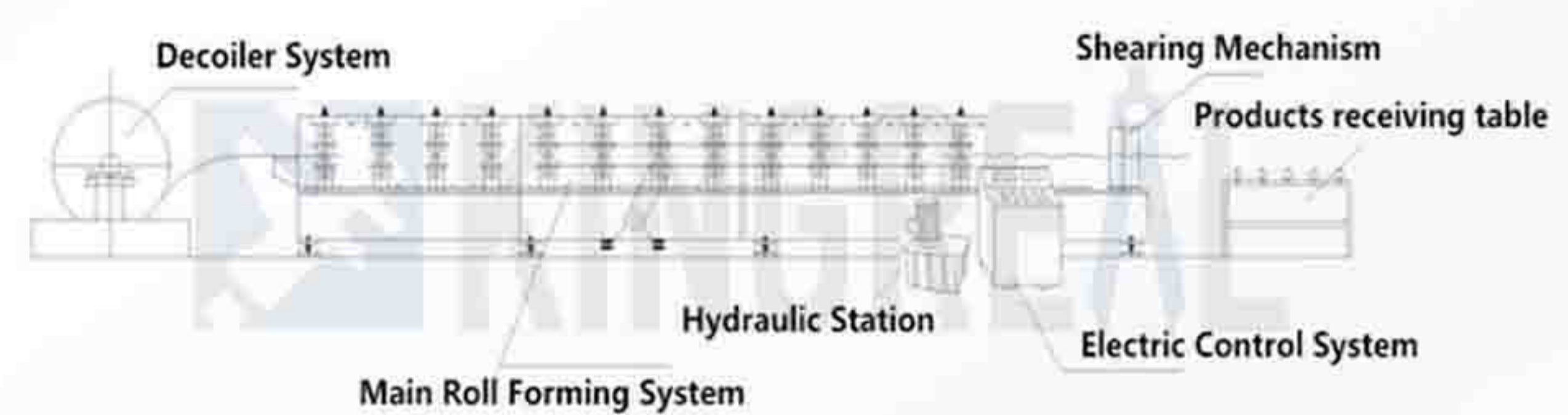
C-shape



LINEAR STRIP CEILING CARRIER



BAFFLE CEILING CARRIER



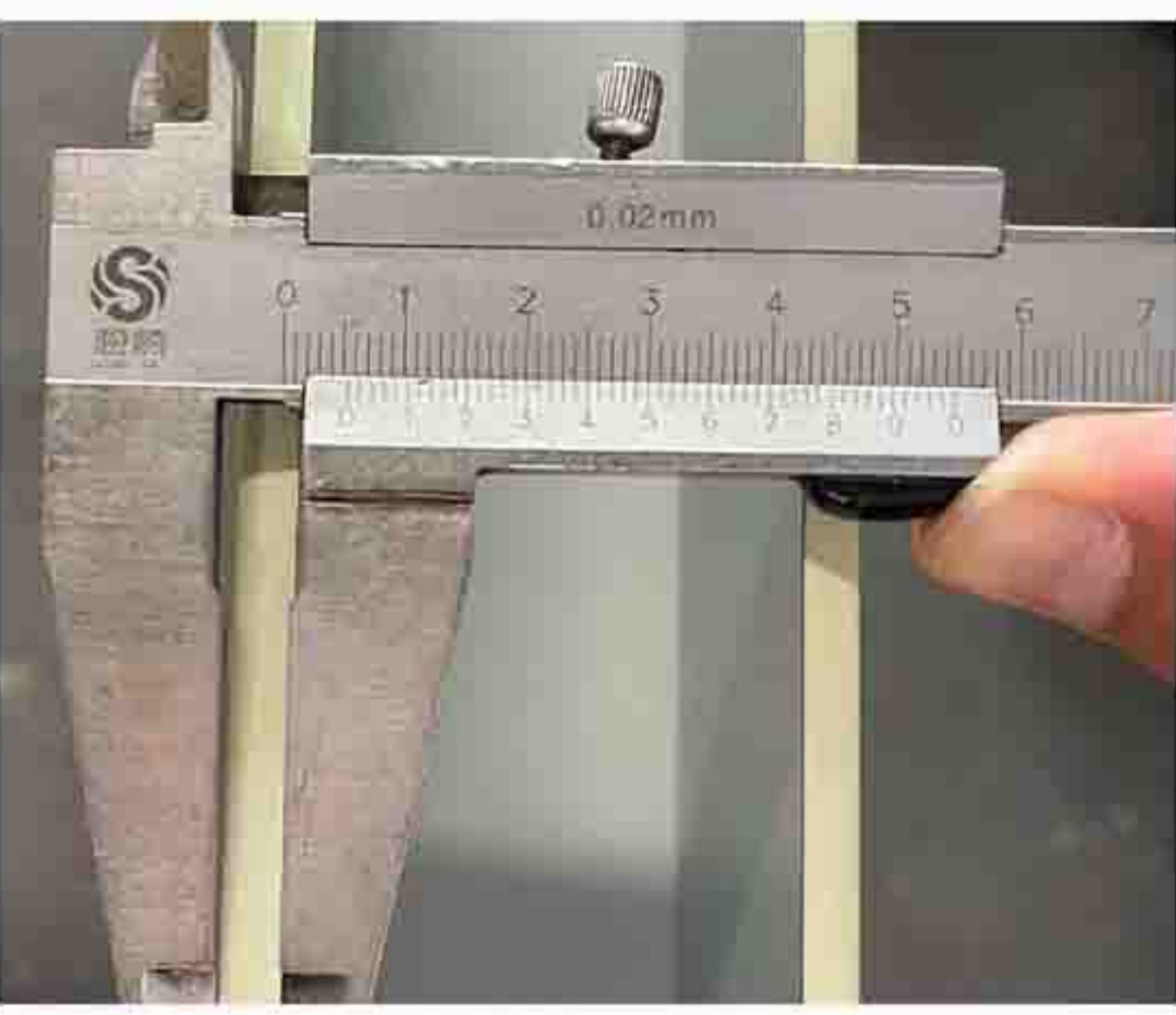
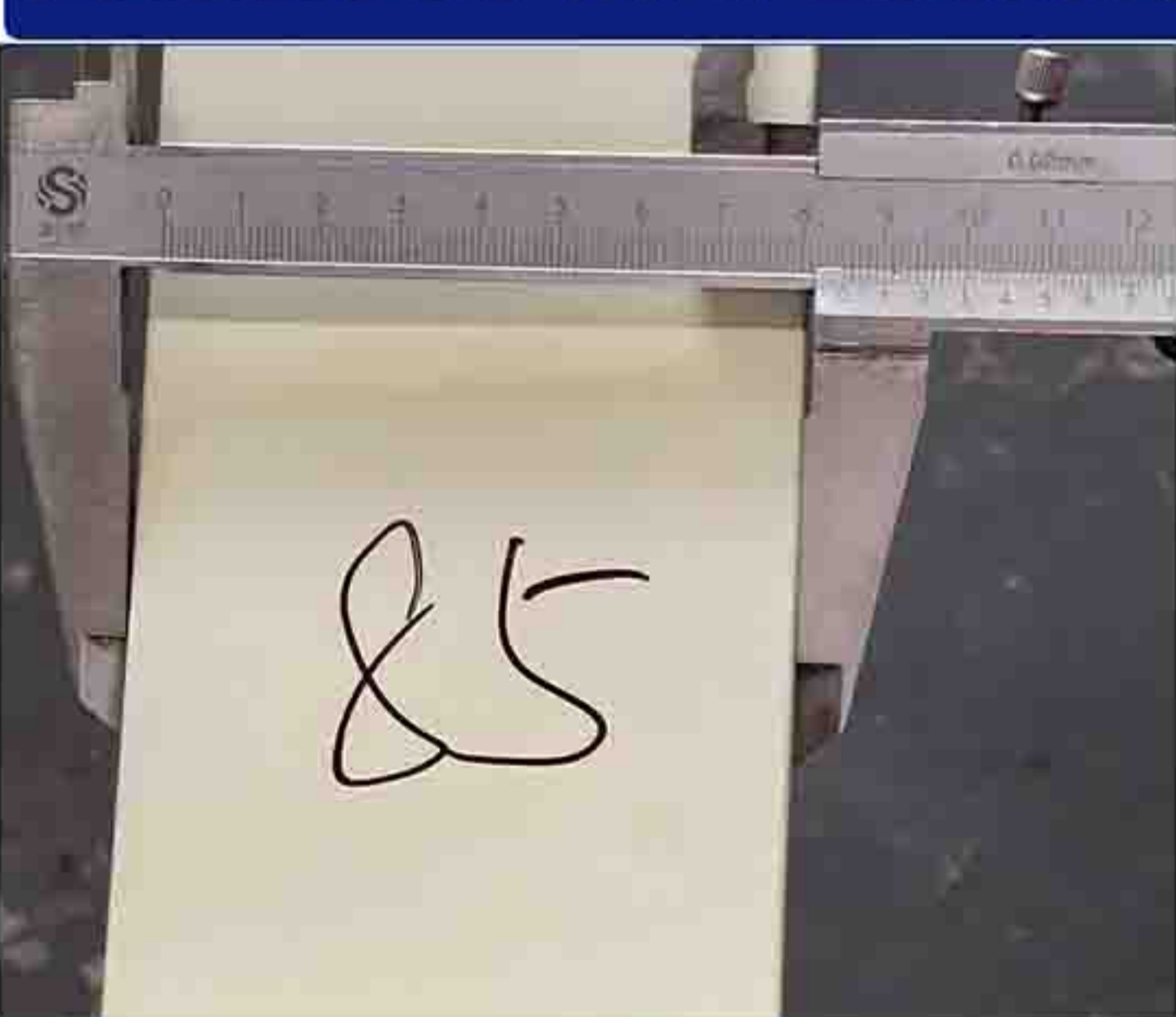
► **QUALITY CONTROL / QC质检**

CUSTOMER VISITS&KINGREAL EXHIBITION / 客户来访&展会 ◀

MACHINE DEBUGGING



PRODUCT INSPECTION



CUSTOMER VISITS



KINGREAL EXHIBITION



▶ **CUSTOMER CASE / 客户案例**

AFTER-SALES / 售后 ◀

