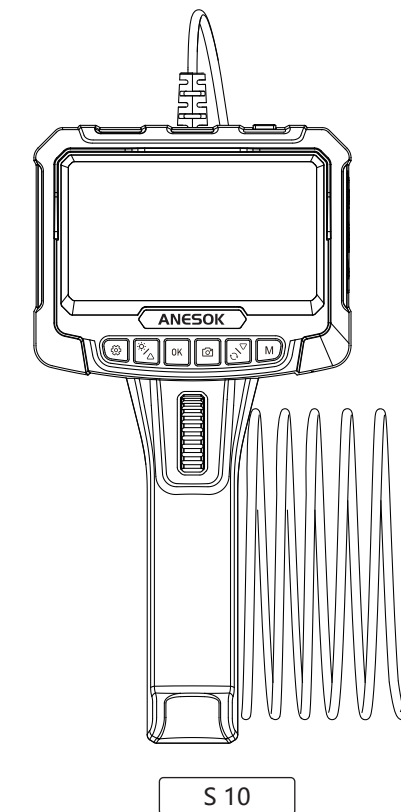


尺寸: 140*105MM 正反印刷 折页

Handheld Steering Industrial Endoscope



Product Description

S 10 is a high-performance industrial endoscope camera with 5 inch HD color display. It adopts ergonomic design, which makes it easy to operate. Self-storage, support for photo and video functions, also the TF card expansion function (up to 64G). This product is equipped with a small diameter HD camera with LED auxiliary lighting. The camera adopts a high-sensitivity chip, which can be used normally even in a dark working environment.

Safety and Maintenance

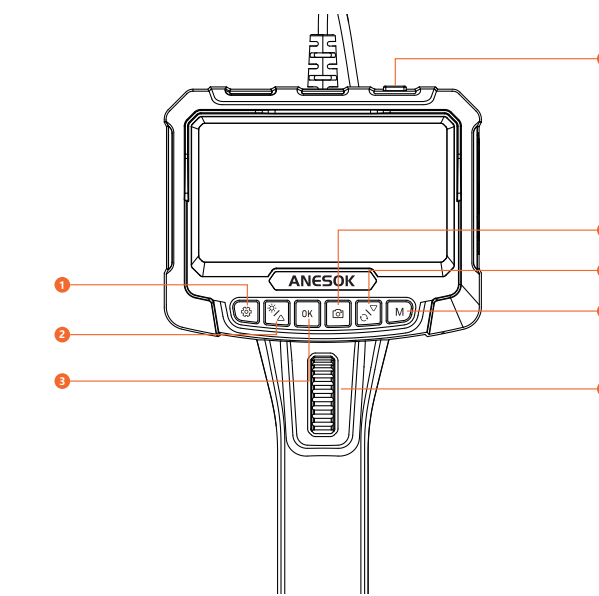
- The product is an industrial endoscopy camera and is not intended for medical use or human examination.
- Do not hit the camera violently and do not pull the cable.
- When used in an environment with sharp bumps, please use it carefully to prevent the waterproof protective layer of the probe from being scratched.
- The camera probe is not made of heat-resistant and high-temperature materials. When checking the automobile engine, please ensure that the temperature in the engine drops to the normal temperature.
- When not in use, please ensure that the lens and the main unit are clean and dry, and avoid contact with oil, etc. or other corrosive and dangerous substances.
- This product is not suitable for people with limited physical, sensory or mental abilities.
- Do not allow children to touch and operate this equipment.

Battery instructions

- Please use a 5V household charger that meets the safety regulations to charge the equipment. Fast charging is not supported.
- This device supports charging while using.
- If the device is not used for a long time, please ensure that it is charged at least once every 3 months to prevent irreparable damage caused by excessive discharge of the battery.

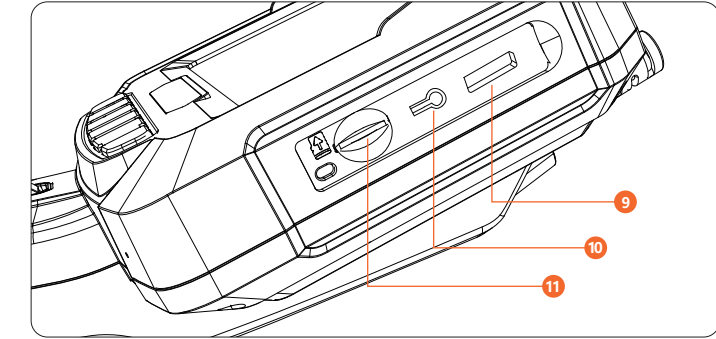
- 2 -

Function introduction



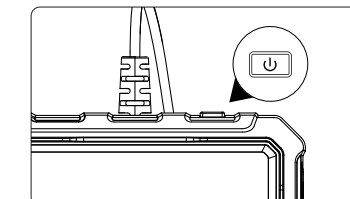
- Setting key: ①Enter ②Exit the setting interface
- Up selection key: ①Up ②Adjust the brightness of the camera LED ③Video playback fast forward key ④Zoom in
- Enter: ①Confirm selection ②Image fixed
- Switch: ①Press and hold for 3 seconds to turn on / off
- Taking photos: ①Short press to take photos ②Short press to take photos ③End recording ④Long press to switch camera
- Down selection key: ①Scroll down ②Picture rotation ③Video playback back key
- Mode switching: ①Switch between 3 function modes of take photo, video and photo album
- Lens Steering Control knob

- 3 -

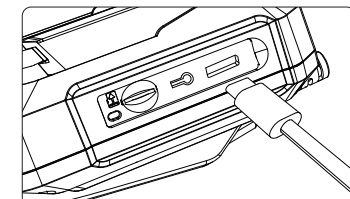


9.Charging interface 10.Reset 11.TF card slot

Instructions

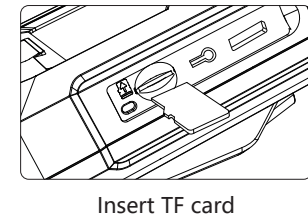


Long press "⏻" for 3 seconds to power on / off



Use the type-C charging cable to charge the device

- 4 -



Insert TF card

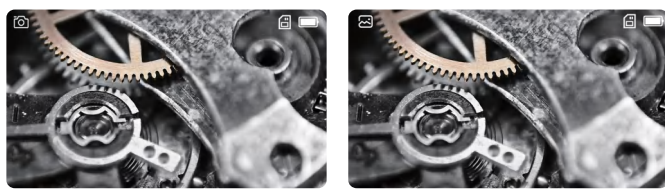
- Insert TF card:**
- Please insert the TF card in the off state
 - Please pay attention to whether the insertion direction and front and back sides of TF card are correct
 - Do not use excessive force when inserting or pulling out the TF card to prevent damage to the card slot structure

Language settings

The default language is English, and the system also supports Simplified Chinese, Japanese, English, Korean, French, German, Italian, Spanish, Russian, Polish

- Press "⚙️" button to enter the setting page
- Select the language setting
- Press the up and down button to select the desired language
- Press "OK" to save

Enter the picture outputting interface



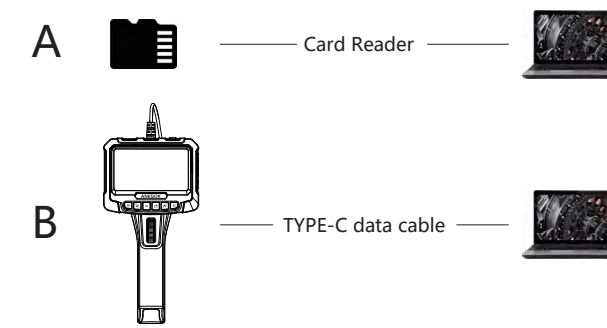
Press "M" to switch to take photo or video.

Press "M" to switch to photo album viewing, select the photo or video that you want to view, press "⏮️" to delete the photo or video.

- 5 -

Copy picture and video files

Can use a TF card to copy directly, or use a type-c cable to connect to computer for copy



When operating the copy, if the machine is not connected to the computer, please restart the machine or plug and unplug the TYPE-C data line. Do not plug and unplug the TYPE-C data cable during the data transmission process, which will cause the data transmission to fail.

Charging Guide

- Connect the device to the TYPE-C USB adapter for charging (5V=1A/5V=2A). The product does not support fast charging.
- (1) During the charging process, the power symbol indicates that the charging is in progress; (2) When the device is fully charged, the power display shows the full state

- 6 -

FAQ

1.Lags happened during the photo outputting of the product
Please check whether the product has sufficient power, or restart the device, or reassemble the flexible conduit.

2.Product crash, does not output a picture or the screen turns black
Please press the reset button on the right side of the device to restart the device.

3.Imaging screen is not clear
The best imaging focal length of the product is: 2cm-10cm, please calibrate the distance to the object, or clean the front of the camera with a clean alcohol cloth.

4.Product charging
Please use 5V=1A/5V=2A charger to charge the device. The product does not support fast charging.

5.The camera is heat
It is normal for the camera to heat up, especially when the camera LED light is on at the highest brightness. But it does not affect normal use or service life.

6.TF card can not be recognized
Please confirm whether the TF format is FTA32. If not, please format it and do not recognize it. Please plug and unplug the TF card again

- 7 -

Camera

	Dual lens	Single lens	
Camera diameter	8mm	6mm	8mm
Camera resolution	2 Megapixels		
Viewing angle	78°	70°	
Auxiliary lighting	8+1 Einstellbare Helligkeits-LEDs	8 Einstellbare Helligkeits-LEDs	
Fokussierbereich	A Camera	20-100mm	20-100mm
	B Camera	20-50mm	
Turning radius	35mm	32mm	

Other

Operating temperature: 32°F-113°F (0°C-45°C)	Battery: 2000mAh
Battery life: 3 hours	Battery charging time: 2.5 hours
List: endoscope, manual, TYPE-C charging cable	

- 8 -

Specifications

Screen type: 5.0-inch color display	Screen resolution: 1280 * 720
Support camera probe resolution: 2 MP	Photo resolution: 1920*1080
Video resolution: 1280*720	Port: TYPE-C charging port

- 9 -

