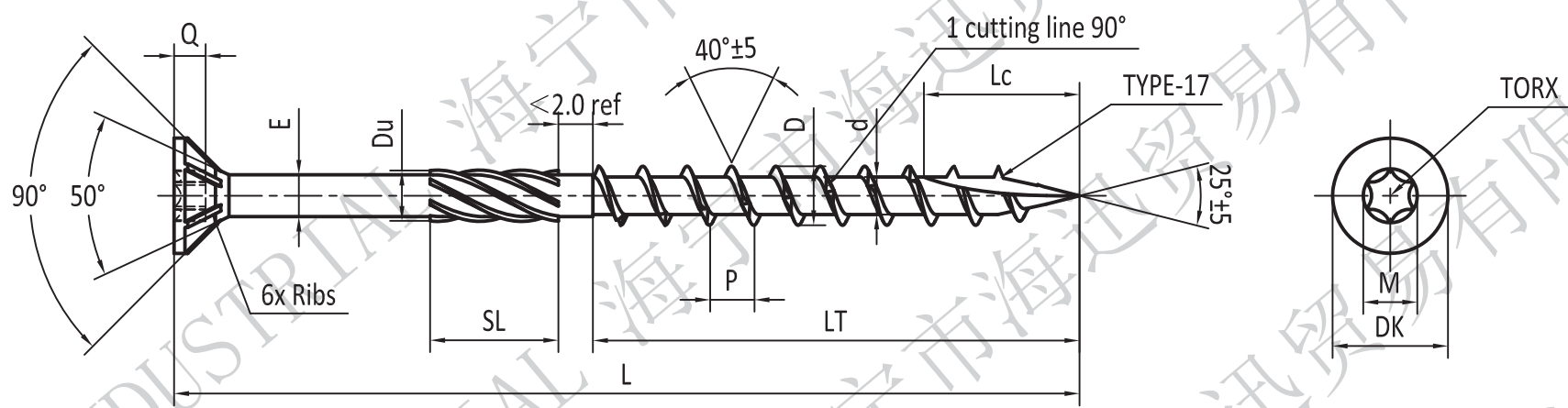
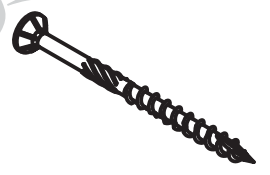


Description	Torx Drive Double Flat Head Timber Screw, Head with 6 Ribs, with U-Thread+1 Slot Thread, Type #17 Cutting Point	Drawing#	HS-001
产品名称	梅花槽双沉头草绳螺丝，头下带6筋，杆部草绳纹，螺纹带1条拉线纹，尾部Type #17 割尾	图纸编号	HS-001



规格 ITEM	头部直径 DK	槽深 Q	槽型 TORX	槽宽 M(ref)	牙外径 D	牙底径 d	牙距 P $\pm 10\%$	滚花外径 Du	光杆径 E(± 0.1)	滚花长度 SL	割尾长度 Lc	破坏扭矩 Torque(N.m)
3.0	5.60-6.00	1.10-1.40	T10	2.82	2.80-3.10	1.70-1.90	1.45	2.5-2.8	2.15	Ref 4	5.00-6.00	1.50
3.5	6.60-7.00	1.30-1.60	T15	3.35	3.30-3.60	1.90-2.20	2.20	2.8-3.2	2.45	Ref 5	6.00-7.00	2.00
4.0	7.50-8.00	1.70-2.00	T20	3.94	3.80-4.10	2.30-2.60	2.60	3.4-3.8	2.80	Ref 5	7.00-8.00	3.00
4.5	8.50-9.00	1.70-2.00	**T25	4.50	4.20-4.60	2.70-3.00	2.80	3.8-4.2	3.20	Ref 6	8.00-9.00	4.40
5.0	9.50-10.00	2.00-2.40	T25	4.50	4.70-5.10	3.10-3.40	3.20	4.0-4.4	3.60	Ref 8	10.00-12.0 0	7.00
6.0	11.50-12.00	2.40-2.85	T30	5.60	5.80-6.20	3.60-4.00	4.50	4.7-5.1	4.30	Ref 12	12.00-14.0 0	11.00
8.0	14.30-15.20	3.00-3.45	T40	6.75	7.80-8.30	5.15-5.50	5.50	6.7-7.1	5.80	Ref 12	14.00-16.0 0	28.00
10.0	17.40-18.20	3.40-3.85	T40	6.75	9.70-10.30	6.00-6.50	6.60	7.7-8.1	6.95	Ref 12	16.00-18.0 0	44.00

3.0	L	16	20	25	30	35	40	45				
	LT ± 2	Full	Full	Full	15	15	25	25				
3.5	L	16	20	25	30	35	40	45	50			
	LT ± 2	Full	Full	Full	15	15	25	25	25			
4.0	L	16	20	25	30	35	40	45	50	55	60	70
	LT ± 2	Full	Full	Full	15	15	25	25	25	35	35	40
4.5	L	25	30	35	40	45	50	60	70	80		
	LT ± 2	Full	15	15	25	25	25	35	40	50		
5.0	L	25	30	35	40-50	60	70	80-100	110	120		
	LT ± 2	Full	15	15	25	35	40	50	60	70		
6.0	L	40	50	60	70	80	90	100	110	120-300		
	LT ± 2	25	25	35	40	50	50	50	50	80		
8.0	L	80	90	100	110	120-360						
	LT ± 2	50	50	50	50	80						
10.0	L	80	90	100	110	120-360						
	LT ± 2	50	50	50	50	80						



**---Alternative T20
**---LT=FULL, without SL

L	Tolerance
L ≤ 25	-1.0
25<L ≤ 50	-1.25
50<L ≤ 80	-1.5
80<L ≤ 120	-1.75
L>120	-2

MACHANICAL 机械性能	1, Material(材质): SAE C 10B21 STEEL;
	2, Surface Hardness (表面硬度):560-700 HV0.3;
	3, Core Hardness(芯部硬度):300-450 HV0.3;
	4, Bending angle(弯曲度): $\geq 45^{\circ}$;

UNIT	单 位	mm	Revision 修改
DATE	日 期		
DESIGN	设 计	HISENER	
DWG	制 图	Leo	
CHECK BY	校 对	Loyd	



HISENER

HISENER INDUSTRIAL CO LTD