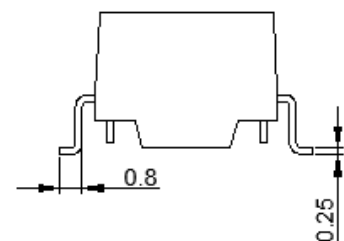
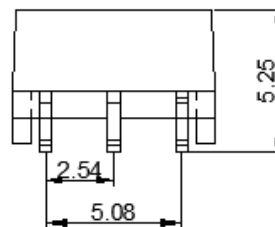
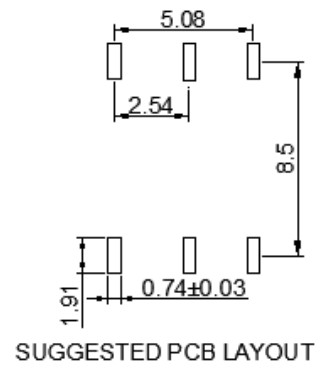
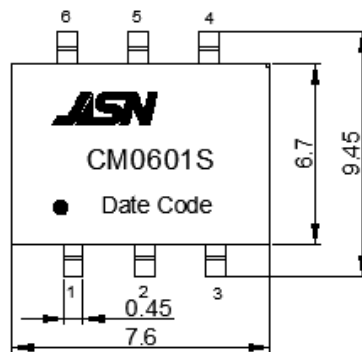
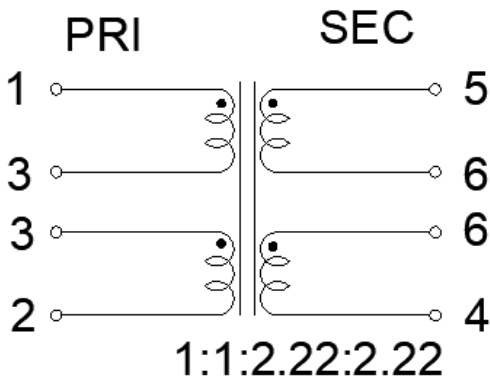


**Feature**

- Comply with RoHS requirements.
- Operating temperature range: 0°C to +70°C.
- Storage temperature range: -25°C to +105°C.

**Electrical Specifications @ 25°C**

OCL:	50uH ± 25% . @10KHz/0.05V
Hi-Pot :	3000VDC/ 1mA /2Sec
Turns Ratio:	1:1:2.22:2.22±3%
LK:	1.0uH Max @10KHz/0.05V
DCR:	Pri=0.22ohm Max
	Sec=0.45ohm Max

**Schematic**
**Mechanical**


Unless otherwise specified, all tolerances are ±0.25mm