

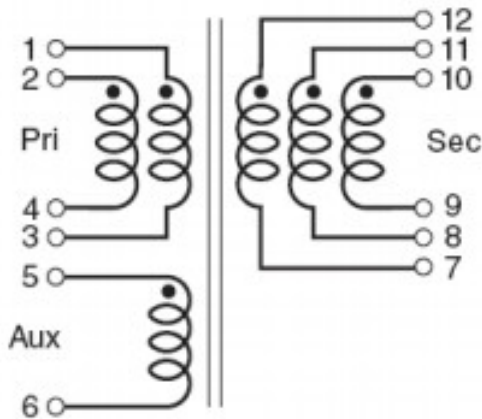
Feature

- Comply with RoHS requirements.
- Operating temperature range:-40°C to +125°C.
- Storage temperature range: -40°C to +125°C.

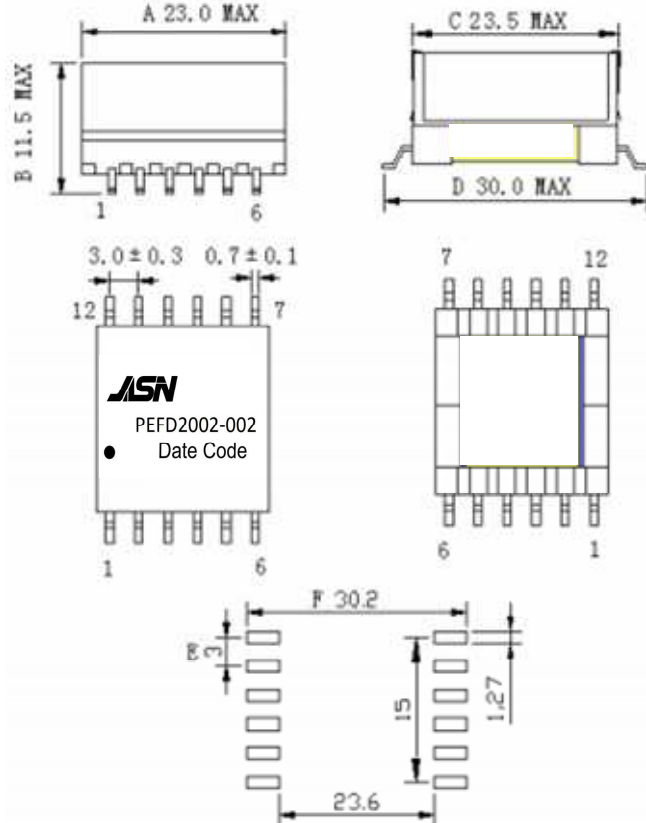
Electrical Specifications @ 25°C

OCL:	Pin 1,2-3,4 = 42uH ± 10%. @100KHz/0.1V
	Pin 1,2-3,4 = 37.8uH Min. @100KHz/0.1V,2.6A
Turn Ratio:	Pin 1,2-3,4 :12,11,10-,9,8,7 = 3:1±3%. @100KHz/1.0V
	Pin 1,2-3,4 :5-6 = 3:1±3%. @100KHz/1.0V
LK:	Pin 1,2-3,4 (short7,8,9,10,11,12,5,6) = 0.65uH Max @100KHz/0.1V
D.C.R:	Pin 1,2-,3,4 = 60mΩ Max.
	Pin 5-6 = 195mΩ Max.
	Pin 12,11,10-9,8,7 = 15mΩ Max.
Hi-POT :	PRI--SEC: 1500V AC/5mA/ 1S.
	PRI,SEC--CORE: 500V AC/5mA/ 1S.

Schematic



Mechanical



1.Unit mm