

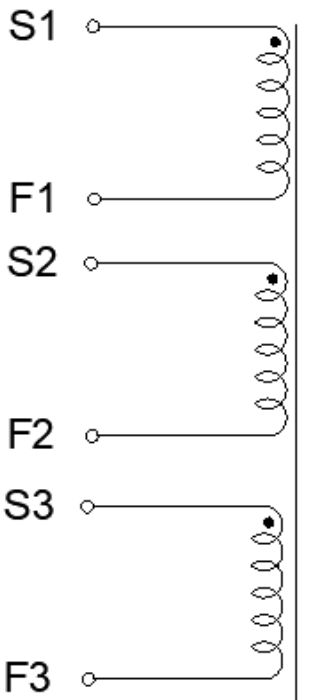
Feature

- Comply with RoHS requirements.
- Operating temperature range: 0°C to +70°C.
- Storage temperature range: -25°C to +125°C.

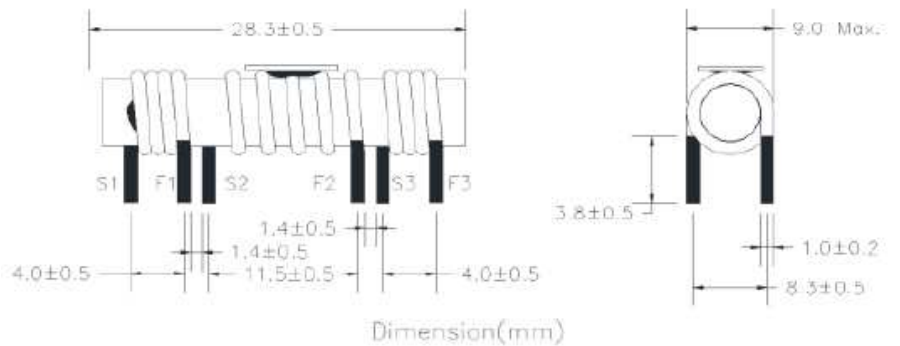
Electrical Specifications @ 25°C

OCL:	S1-F1: 0.5uH ±15% . @100KHz/0.1V
	S2-F2: 2.1uH ±15% . @100KHz/0.1V
	S3-F3: 0.5uH ±15% . @100KHz/0.1V
DCR:	S1-F1: 4.0 mohm Max.
	S2-F2: 7.0 mohm Max.
	S3-F3: 4.0 mohm Max.

Schematic



Mechanical



Pcckge:

One PE Bag: 108pcs.

One Carton: 1404pcs.