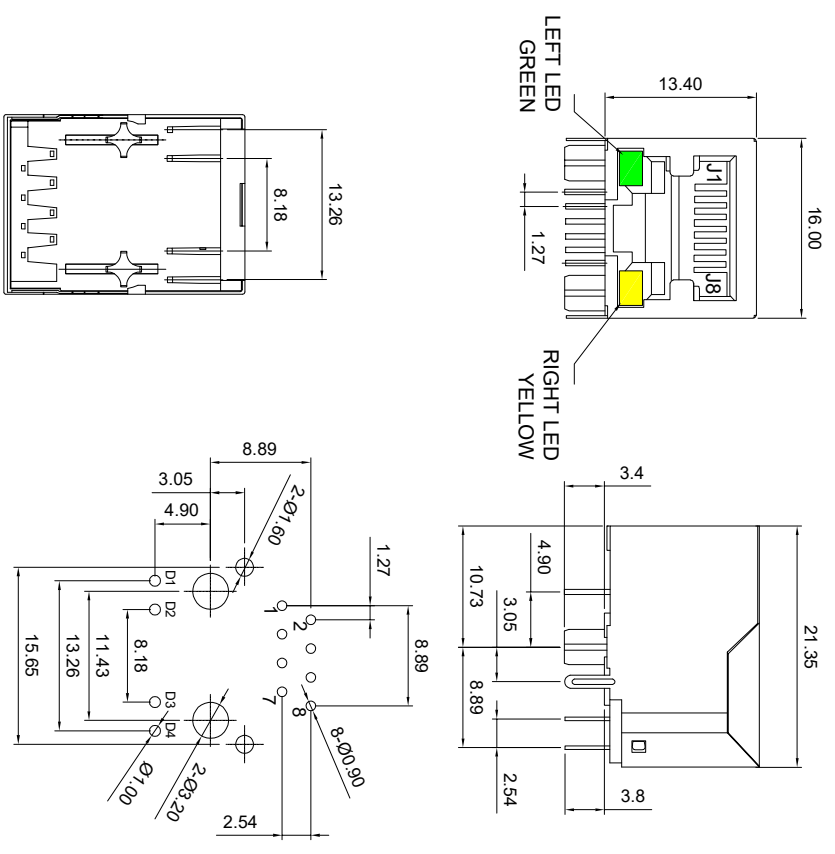


REV.	ECN NO.	LOCATIONS	DESCRIPTION	DATE	DESIGN
A		N/A	New Design	2021-10-19	ZHANG

### 1. Mechanical:

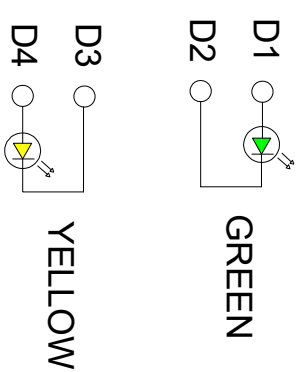


Recommend PCB Layout  
(Jack Top View)

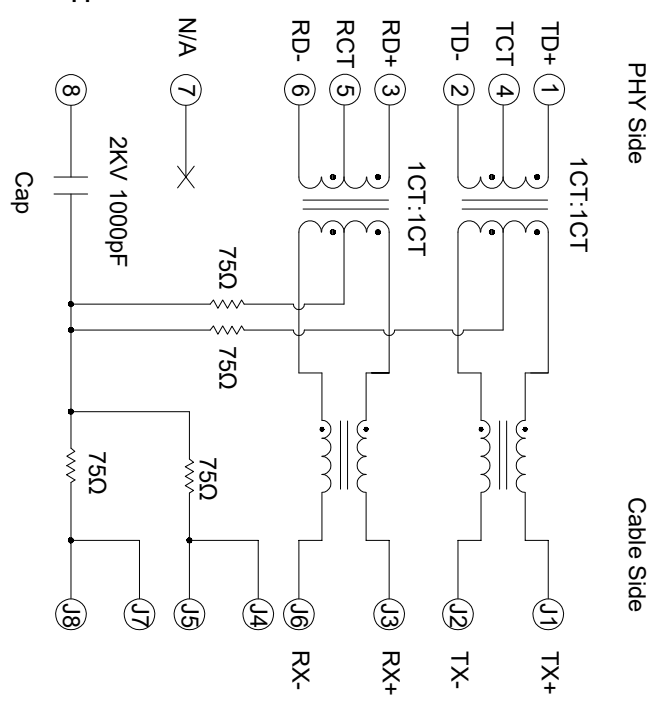
### 2. Material :

- 2.1 Housing: PBT, BK, Flammability Rating 94V-O.
- 2.2 Insert Base: PBT, BK, Flammability Rating 94V-O.
- 2.3 Shell: Brass, nickel plating.
- 2.4 Mold Jack Contacts: Phosphor Bronze, 6u" Gold plated.

### 3. Schematic :



### 4. Electrical Specification @25°C :



Item	Specification	Test Condition
Application	10/100 Base-T	
OCL	350uH Min	100KHz 0.1V 8mA DC Bias @ 0°C to 70°C
Leakage Inductance	0.4uH Max	100KHz 0.1V
DC Resistance	1.2 Ω Max	
Turn Ratio	1CT:1CT	100KHz 0.1V
Insertion Loss	-1.0dB Min	0.5-100 MHz
Return Loss	-16dB Max	0.5-30 MHz
	-12+20log(f/80)dB Max	30.1-80 MHz
Cross Talk	-10dB Max	80.1-100 MHz
	-35dB Max	0.5-40 MHz
	-33+20log(f/50)dB Max	40.1-100 MHz
CMRR	-30dB Max	0.5-100 MHz
Hi-pot Test (2pairs)	1mA Max	2250VDC
Operating Temperature		-40°C ~ +85°C
Storage Temperature		-10°C ~ +40°C

UNIT: mm [Inch]		DESIGN: ZHANG YAN BIN	
TOLERANCE: Unless Otherwise Specification All Tolerance Are :±0.25mm		CHECKED:	
SCALE: 1:1 SIZE: A4		PART NAME: R145 WITH TRANSFORMER, SINGLE PORT SHIELD , WITH LEADS	
APPROVED:		PART NO. G111003YW	
DRAW NO.		SHEET NO. A/0	
		东莞市建旭电子有限公司 JANSUM ELECTRONICS (DONGGUAN)CO.,LTD <a href="http://www.jansum.com">Http://www.jansum.com</a>	