

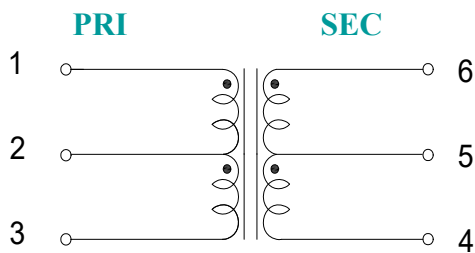
Feature

- 8 mm min creepage and clearance distance between PRI&SEC
- Coplanarity:0.1[.004]Max
- Reinforced insulation for a primary circuit at a working voltage of 250Vac,
 Overvoltage category II, Pollution Degree 2, up to 2km above sea level
 Reinforced insulation for a primary circuit at a working voltage of 400Vac
 up to 2km above sea level
- Comply with RoHS requirements.
- Operating temperature range:-40°C to +125°C.

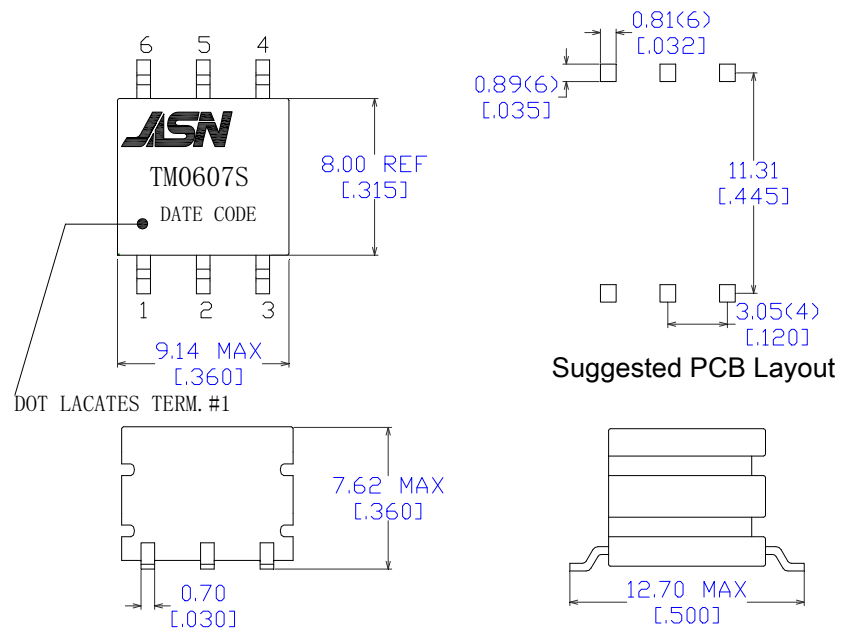
Electrical Specifications @ 25°C

PAPAMETER		TEST CONDITIONS	VALUE
D.C.RESISTANCE	1-3	@25°C	0.419 ohms max
D.C.RESISTANCE	6-4	@25°C	0.335 ohms max
INDUCTANCE	1-3	100KHZ 100 mVac.	340 uH min
Working Voltage		/	250VAC
Hi-POT	1-6	5000Vrms/0.5mA/ 60 sec	6250Vrms/0.5mA/1 Sec
TURNS RATIO		6-4:1-3	1.1CT:1CT±2%

Schematic



Mechanical



Unit: mm (inch)

Unless otherwise specified, all tolerances are ±0.25