

Feature

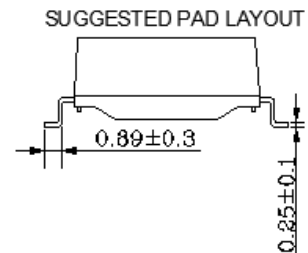
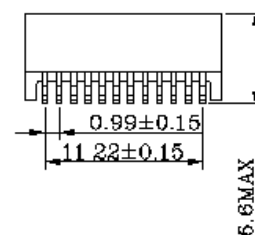
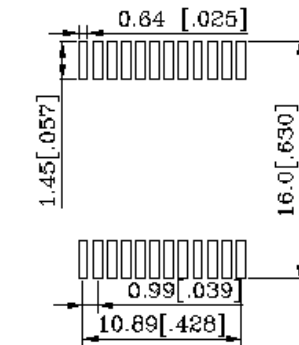
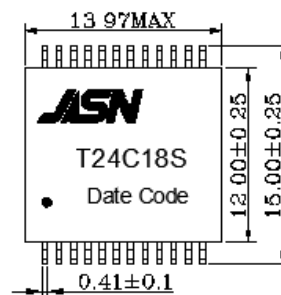
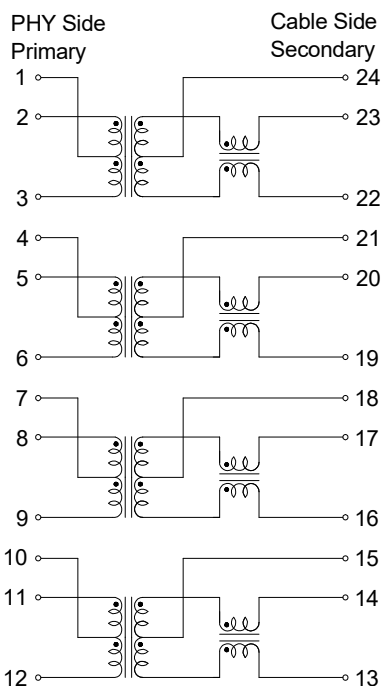
- Compliant with IEEE 802.3
- Comply with RoHS requirements.
- Designed to support applications up to 600mA Per centre tap
- Operating temperature range: 0°C to +70°C.
- Storage temperature range: -25°C to +105°C.

Electrical Specifications @ 25°C

OCL:	120uH Min. @100KHz/0.1V,
Hi-POT :	1500Vrms
Turn Ratio:	1CT:1CT±3%
Insertion Loss:	-2.0dB Max @1-600MHz
	-2.5dB Max @600-800MHz
Return Loss:	-20dB Min @1-40MHz
	-20+10log(f/40)dB Min @40-600MHz
	-9+20log(f/600)dB Min @600-800MHz
Cross Talk :	-40dB Min @1-100MHz
	-25dB Min @100-600MHz
	-18dB Min @600-800MHz
CMRR:	-30dB Min @1-100MHz
	-20dB Min @100-600MHz
	-15dB Min @600-800MHz

Schematic

Mechanical



1.Unless otherwise specified, all tolerances are ±0.25[.01]

2.Unit mm