

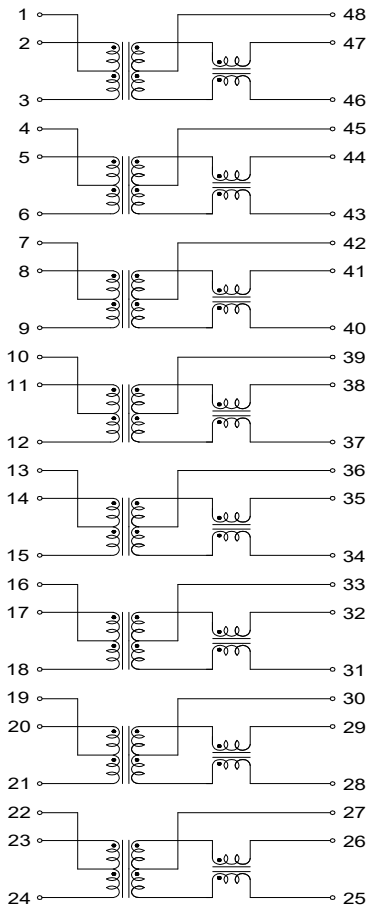
Feature

- Comply with RoHS requirements.
- Comply with IEEE802.3an
- Operating temperature range: 0°C to +70°C.
- Storage temperature range: -25°C to +125°C.

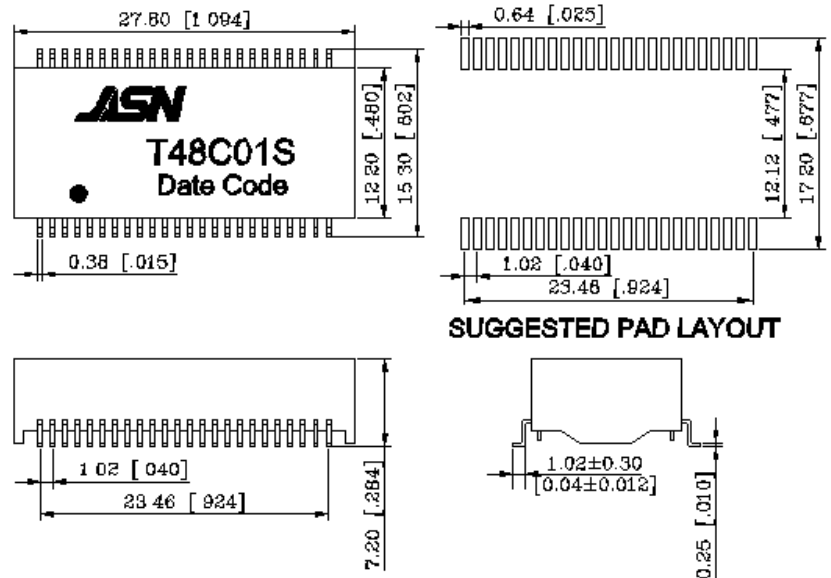
Electrical Specifications @ 25°C

OCL:	120uH Min. @100KHz/0.1V
Hi-Pot :	1500Vrms
Turns Ratio:	1CT:1CT±3%
D.C.R:	1.0 ohm Max
Insertion Loss:	-1.5dB Max@1-250MHz
	-3.0dB Max@250-500MHz
Return Loss	-16dB Min@1-40MHz
	-16+10log(f/40)dB Min@40-500MHz
Crosstalk	-35dB Min@1-100MHz
	-30dB Min@100-500MHz
CMRR	-30dB Min@1-250MHz
	-20dB Min@250-500MHz

Schematic



Mechanical



1. Unless otherwise specified, all tolerances are $\pm 0.25[.01]$
2. Coplanarity: $0.1[.004]$
3. Unit mm