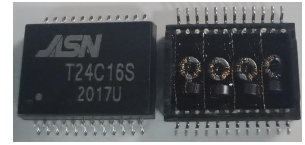


**Feature**

- Comply with RoHS requirements.
- Suitable for POE applications with 600mA current .
- Operating temperature range: 0°C to +70°C.
- Storage temperature range: -25°C to +105°C.

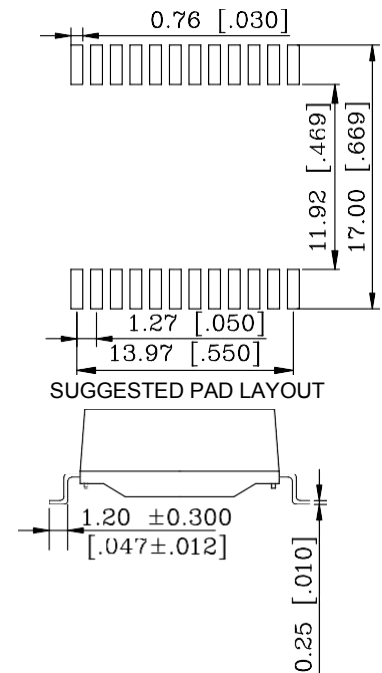
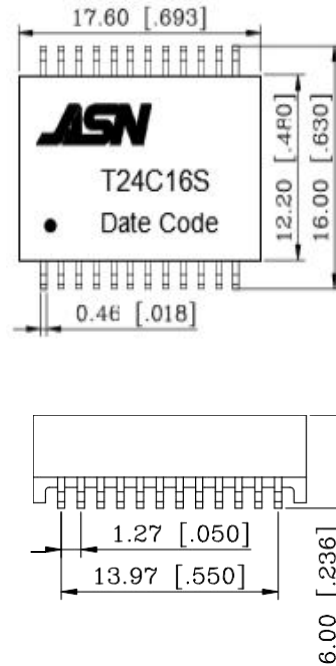
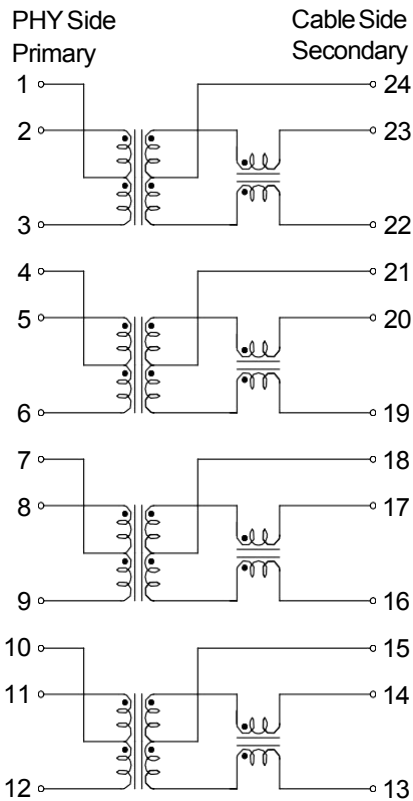


**Electrical Specifications @ 25°C**

OCL:	120uH Min. @100KHz/0.1V with 8mA Bias
Hi-Pot :	1500Vrms 1mA 2S
Turns Ratio:	1CT:1CT±3%
D.C.R:	1.0 ohm Max
Insertion Loss:	-1.5dB Max@1-250MHz
	-3.0dB Max@250-500MHz
Return Loss	-16dB Min@1-40MHz
	-16+10log(f/40)dB Min@40-500MHz
Crosstalk	-35dB Min@1-100MHz
	-30dB Min@100-500MHz
CMRR	-30dB Min@1-250MHz
	-20dB Min@250-500MHz

**Schematic**

**Mechanical**



1. Unit: mm[inch]

2. Unless otherwise specified, all tolerances are ±0.25[01]