

### Feature

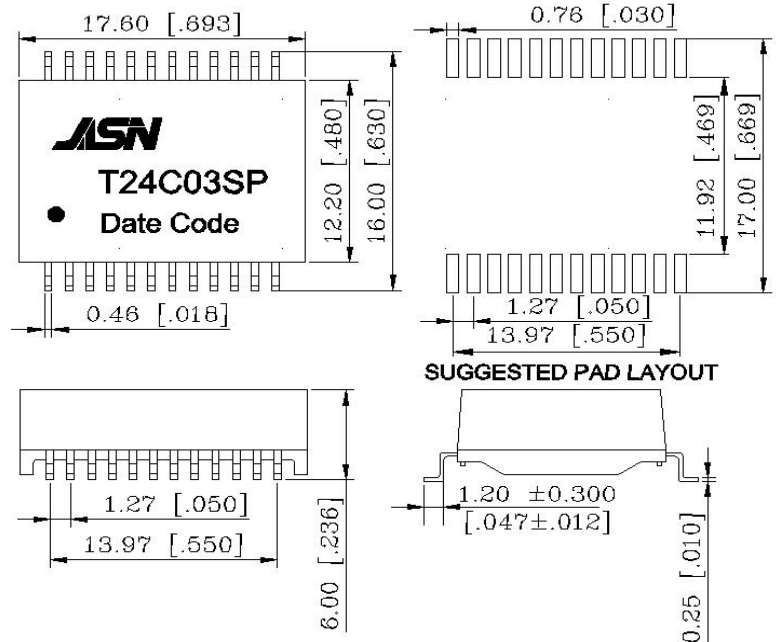
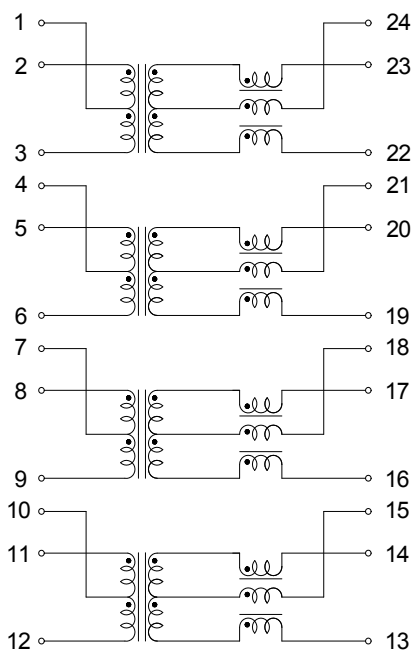
- Comply with RoHS requirements.
- Comply with IEEE802.3an&802.3at.
- Suitable for End-span PoE applications with 720mA current capability
- Operating temperature range: 0°C to +70°C.
- Storage temperature range: -25°C to +125°C.

### Electrical Specifications @ 25°C

OCL:	120uH Min. @100KHz/0.1V with 10.8mA DC Bias
Hi-Pot :	1500Vrms
Turns Ratio:	1CT:1CT±3%
D.C.R:	1.0 ohm Max
Insertion Loss:	-1.5dB Max@1-250MHz
	-3.0dB Max@250-500MHz
Return Loss	-16dB Min@1-40MHz
	-16+10log(f/40)dB Min@40-500MHz
Crosstalk	-35dB Min@1-100MHz
	-30dB Min@100-500MHz
CMRR	-30dB Min@1-250MHz
	-20dB Min@250-500MHz

### Schematic

### Mechanical



1.Unless otherwise specified, all tolerances are ±0.25[.01]

2.Coplanarity:0.1[.004]

3.Unit mm[inch]