

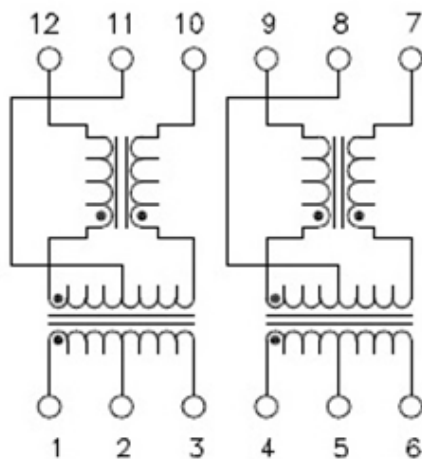
Feature

- Comply with RoHS requirements.
- Operating temperature range: -40°C to +125°C.
- Storage temperature range: -40°C to +125°C.
- Clearance distance: >20mm.
- Creepage distance: >22mm.

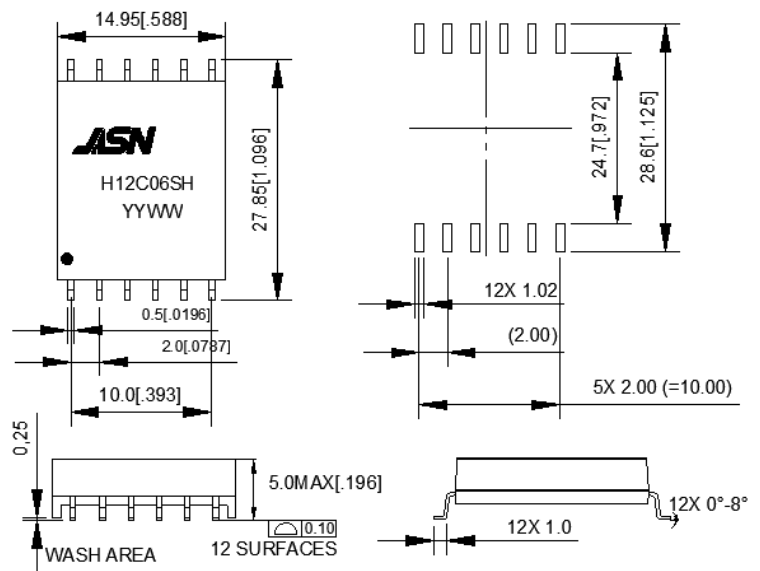
Electrical Specifications @ 25°C

OCL:	300uH Min. @100KHz/0.1V @-40°C TO +125°C
Hi-POT :	6220VDC/1mA/60Sec
Turn Ratio:	1CT:1CT±2%
LK:	0.5uH Max @100KHz/0.1V
D.C.R:	(1-3,4-5) 0.7 ohm Max
	(7-9,10-12) 0.85 ohm Max
Insertion Loss:	4MHz: -0.25dB Max
Return Loss:	4MHz: -20dB Min
Cross Talk :	4MHz: -50dB Min
CMR:	1-10MHz: -30dB typ
	10-400MHz: -20dB typ
Insulation Resistance:	400MΩ/250Vds Min

Schematic



Mechanical



1. Unless otherwise specified, all tolerances are ±0.25[.01]
2. Coplanarity: 0.1[.004]
3. Unit mm