

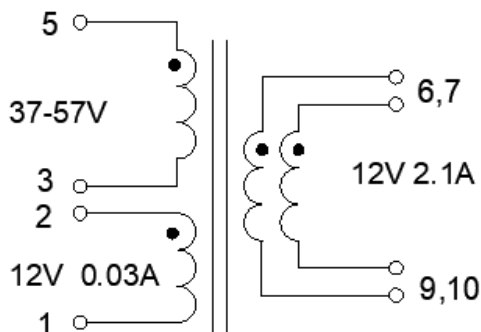
Feature

- Comply with RoHS requirements.
- Operating temperature range:-40°C to +125°C.
- Storage temperature range: -40°C to +125°C.

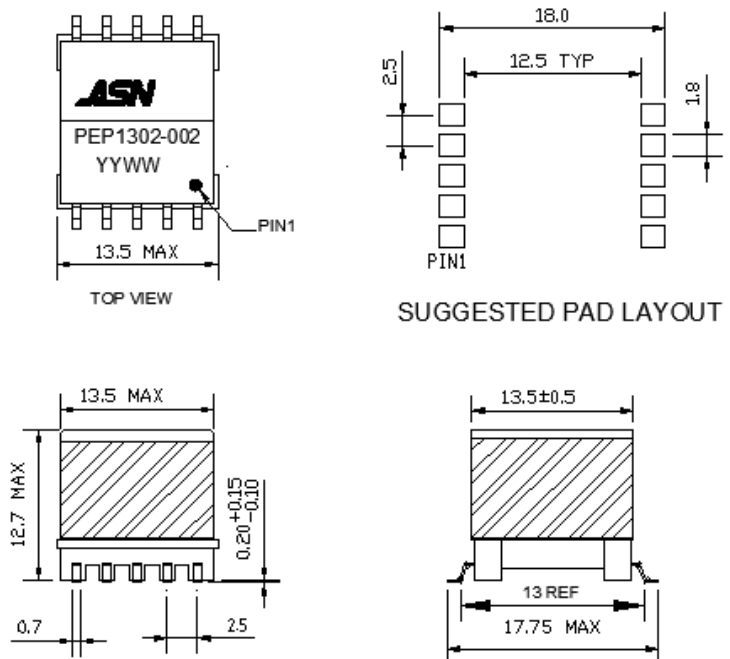
Electrical Specifications @ 25°C

OCL:	Pin(5-3) = 37uH ± 10%. @100KHz/0.1V.
Turn Ratio:	Pin(5-3) PIN(2-1) PIN(6,7-9,10) =2:1.1:1±3%. @20KHz/1.0V
LK:	Pin(5-3) with short(1,2,6,7,9,10) =0.75uH Max @100KHz/0.1V.
D.C.R:	Pin(5-3) =89mΩ Max.
	Pin(2-1) =155mΩ Max.
	Pin(6,7-9,10) =28mΩ Max.
Hi-POT :	PRI--SEC: 1500VAC/1mA/ 3S.

Schematic



Mechanical



1.Coplanarity:0.1[.004]

2.Unit mm