

Feature

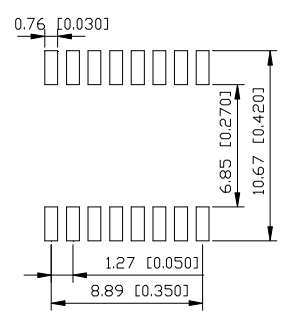
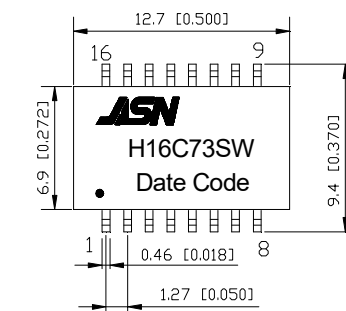
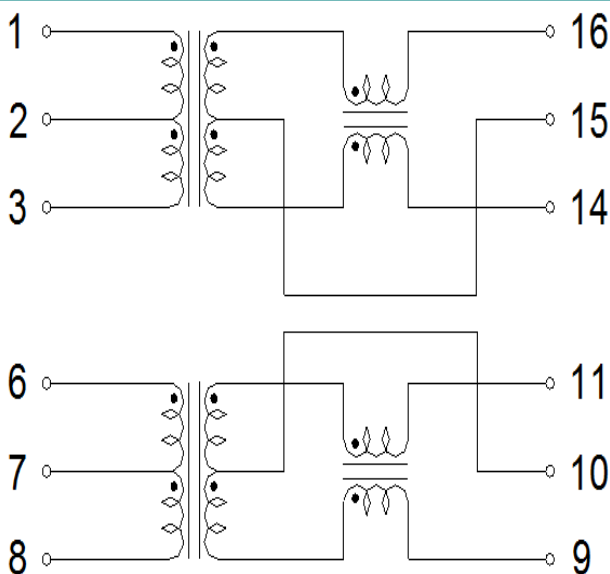
- Compliant with IEEE 802.3 standard.
- Comply with ROHS requirements.
- Supports 2pairs of category 5 UTP cable
- Operating temperature range: -40°C to +85°C.
- Storage temperature range: -25°C to +105°C.

Electrical Specifications @ 25°C

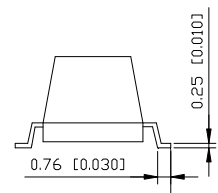
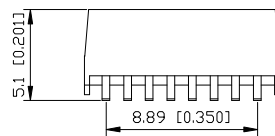
OCL:	350uH Min. @100KHz/0.1V with 8mA DC Bias			
Hi-POT :	1500VAC			
Turn Ratio:	1:1±3%			
LK:	0.5uH Max @100KHz/0.2V			
Cw/w	28PF Max @100KHz/0.2V			
D.C.R:	1.2 ohm Max			
Insertion Loss:	1-100MHz: -1.0dB Max			
Cross Talk :	30MHz	60MHz	100MHz	
	-45dB Min	-38dB Min	-33dB Min	
Return Loss:	1-30MHz	40-50MHz	60-80MHz	100MHz
	-16dB Min	-13dB Min	-11dB Min	-10dB Min
D.C.M.R:	30MHz	60MHz	100MHz	
	-43dB Min	-37dB Min	-33dB Min	

Schematic

Mechanical



SUGGESTED PAD LAYOUT



Unless otherwise specified, all tolerances are ±0.25