

Feature

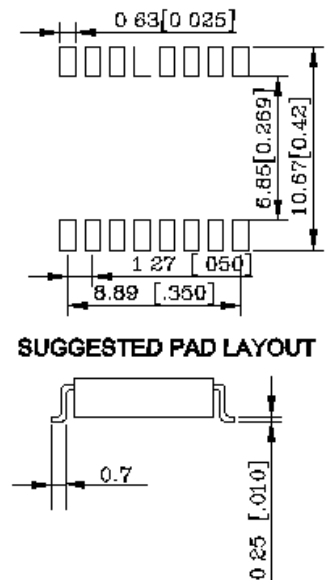
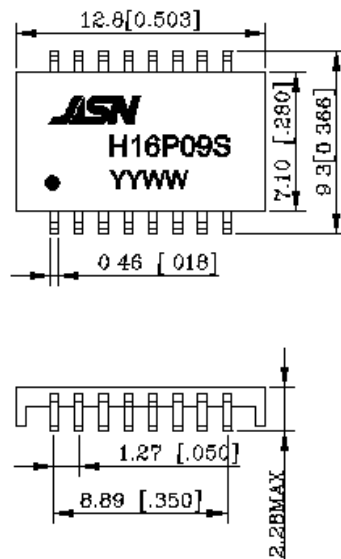
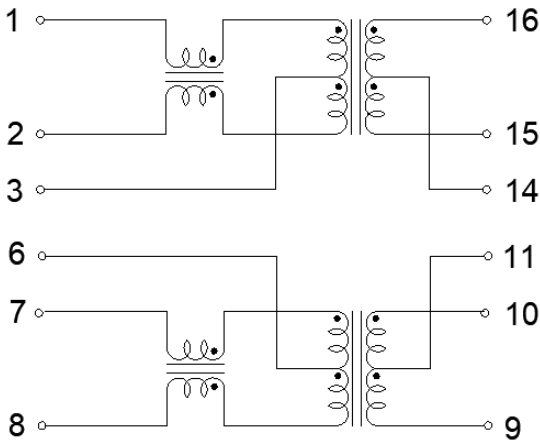
- Compliant with IEEE 802.3u standard.
- Comply with RoHS requirements.
- Operating temperature range: 0°C to +70°C.
- Storage temperature range: -25°C to +105°C.

Electrical Specifications @ 25°C

OCL:	350uH Min. @100KHz/0.1V				
Hi-POT :	1500VAC 1mA 2S				
Turn Ratio:	1:1±3%				
LK:	0.5uH Max @100KHz/0.2V				
Cw/w	28pF Max @100KHz/0.2V				
D.C.R:	1.1 ohm Max				
Insertion Loss:	1-100MHz: -1.1dB Max				
Cross Talk :	1-100MHz: -30dB Min				
Return Loss:	1-30MHz	40MHz	50MHz	60-80MHz	80-100MHz
	-18dB Min	-14.4dB Min	-13.1dB Min	-12dB Min	-10dB Min

Schematic

Mechanical



1.Unless otherwise specified, all tolerances are ±0.25[.01]

2.Coplanarity:0.1[.004]

3.Unit mm