



## 2.5GBase-T Lan Transformer

JASN as a professional Lan Transformer manufacturer, you can rest assured to buy Lan Transformer from our factory and we will offer you the best after-sale service and timely delivery. The PN V24P05S is 2.5GBase-T Lan Transformer.

Model:V24P05S

JASN is one of the famous China 2.5GBase-T Lan Transformer manufacturers and 2.5GBase-T Lan Transformer suppliers.

### Feature

Comply with RoHS requirements.

Comply with IEEE802.3bz

Operating temperature range: 0℃ to +70℃.

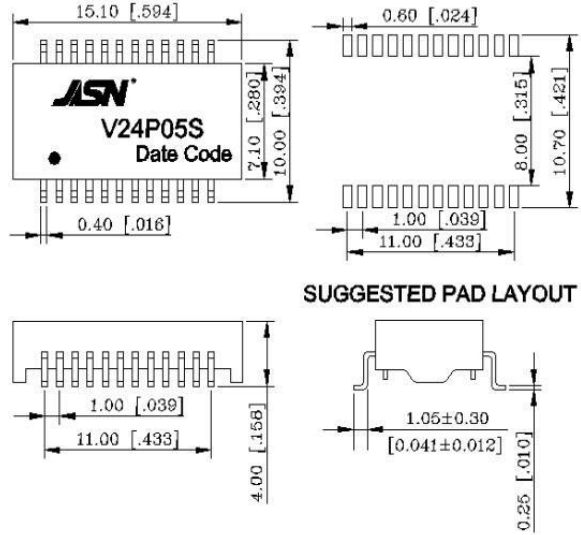
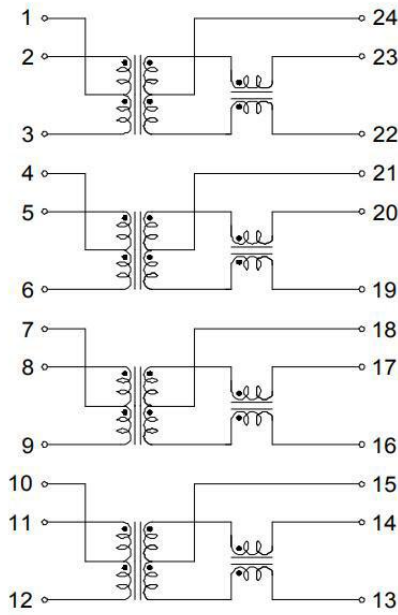
Storage temperature range: -25℃ to +105℃.

### Electrical Specifications @ 25℃

OCL:	180uH Min. @100KHz/0.1V
Hi-Pot :	1500Vrms
Turns Ratio:	1CT:1CT±3%
D.C.R:	1.0 ohm Max
Insertion Loss:	-1.0dB Max @1-100MHz
	-1.5dB Max @100-125MHz
Return Loss:	-16dB Min @1-40MHz
	-16+10log(f/40)dB Min @40-250MHz
Cross Talk :	-30dB Min@ 1-125MHz
CMRR:	-30dB Min@ 1-125MHz

Schematic

Mechanical



1. Unit: mm[inch]
2. Unless otherwise specified, all tolerances are ±0.25[.01]