



3 Way Threaded Ball Valve

ISO Audited Manufacturer CENTRO 3 Way Threaded Ball Valve has two types: L Port and T Port. L-Port flow ball valves with handles that turn 90 degrees (a quarter-turn of the handle) are also referred to as two-position valves. They are normally used for diverting flow either to the left or right with a 90-degree turn of the handle. While the T Port balls valves, sometimes called 180-degree ball valves, are widely used to connect two inlet flows and combine them to flow out into one common outlet port. Depending on requirements, the reverse is also applicable which is split the flow coming in from one common port into two outgoing flows, each exiting the valve through a different valve port.

Product Description

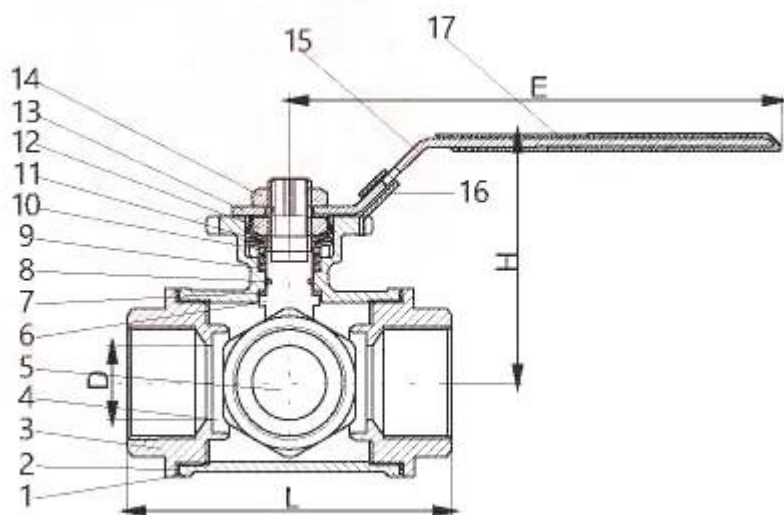
CENTRO 3 Way Threaded Ball Valve certificated by AD2000/BV marine standard. L-Port flow ball valve with three-position has a 180-degree limit on the turn of the handle. These L-Port design are usually called three-position valves: a starting position, a 90-degree turn, and a 180-degree turn. T-Port flow ball valves are very different from L-Port flow pattern ball valves. Typical T-Port flow ball valves unable to provide shut-off control. They can only either limit flow to two of the three-valve ports or allow flow through all three of the valve ports at the same time. This is the main reason why T-Port flow pattern ball valves are sometimes called as mixing valve. Material available SS316 SS316L SS304 SS304L.

CENTRO 3-Way Threaded Ball Valve Features

- 3-Way Design
- T/L Port Options
- Sizes: 1/2" – 2" (DN615– DN50)
- Working Pressure: PN16-PN64
- Threaded End: BSP, NPT
- Applicable Medium: Oil, Gas, Nitric acid, Acetic acid & Water Applications
- Blow-out Proof Stem Design
- Temperature: -20 Degree C to 180 Degree C



NO	Part Name	Material
1	Body	WCB/CF8/CF8M
2	Valve Cover Gasket	PTFE
3	Bonnet	WCB/CF8/CF8M
4	Ball	WCB/CF8/CF8M
5	Seat	PTFE
6	Stem	SS304/SS316
7	Thrust Washer	PTFE
8	O-Ring	NBR
9	VHPE Packing	PTFE
10	Junk Ring	SS304
11	Belleville Washer	SS304
12	Handle Nut	SS304
13	Nut Lock Cover	SS304
14	Handle Nut	SS304
15	Handle	SS304
16	Handle Lock	SS304
17	Handle Cover	SS304



Main Out Sizes

DN	L	D	H	E	5211
15	71	12	68	145	F03
20	81	15	73	145	F03
25	91	18	75	166	F04
32	120	25	83	166	F04
40	136	32	104	206	F05
50	152	38	110	206	F05