



### 2PC Full Port Screwed Ball Valve

Centro 2PC Full Port Screwed Ball Valve known as its body consisted of two pieces, is of quarter turn that controls the flow through the ball. Centro two pieces threaded ball valve is the most selling products among all since its easy operation, maintenance and durability.

## Product Description

2PC Full Port Screwed Ball Valve is made of investment casting, is one of valve that easy and quick installation and operation., with CE PED certificated. Material available: SS316 SS304 SS304L 33316L, WCB. Centro this ball valve can meet your satisfaction whatever you are wholesaler or end user.

Industry applications for Chemical, food & beverage

Suitable Mediums: WOG (Water, Oil and Gas products etc)

## CENTRO 2PC Full Port Screwed Ball Valve Features:

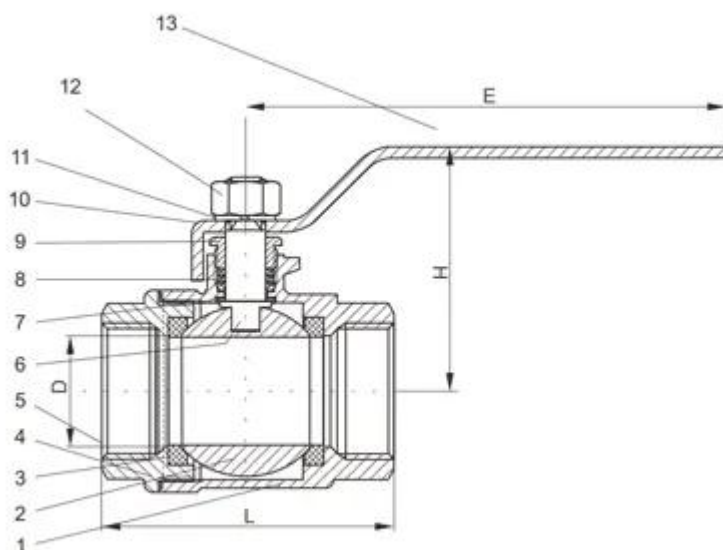
PC Body Design

- Full Bore, Quarter Turn Operation
- Sizes: 1/8" – 3" (DN8 – DN80)
- Working Pressure: 1000 WOG
- Threaded End: BSPP, NPT
- Applicable Medium: General Oil, Gas & Water Applications
- Blow-out Proof Stem Design
- Temperature: -20 Degree C to 120 Degree C



### Material and Main Parts

NO	Part Name	Material
1	Body	WCB/CF8M/CF8
2	Ball	SS316/SS304
3	Bonnet	WCB/CF8M/CF8
4	Valve Cover Gasket	SS304
5	Seat	PTFE
6	Seat	SS304/SS316
7	Thrust Washer	PTFE
8	Stem Packing	PTFE
9	Junk Ring	SS304
10	Handle	SS304
11	Spring Wash	SS304
12	Handle Nut	SS304
13	Handle Lock	SS304



### Parameter (Specification)

DN	L	D	H	E
6	54	12	49	100
10	54	12	49	100
15	58	15	53	105
20	69	20	58	118
25	79	25	73	128
32	97	32	77	137
40	102	38	86	169
50	116	48	96	169
65	159	64	113	215
80	171	78	145	237