



DIN 80705 Hex Nut

Leader Fastener is acknowledged as a manufacturer, exporter & suppliers of **DIN 80705 Hex Nuts** For High Strength Struc. We have a complete line of service from having invested in production plants, export department and to having a quality control team and center to meet your requirements. We regard quality as the life of the company. We persist in good quality as the first policy and have established a set of quality control and inspection system according to the international standard. We have carried out ISO9001 Quality Guarantee System in every course of production, transportation and selling.

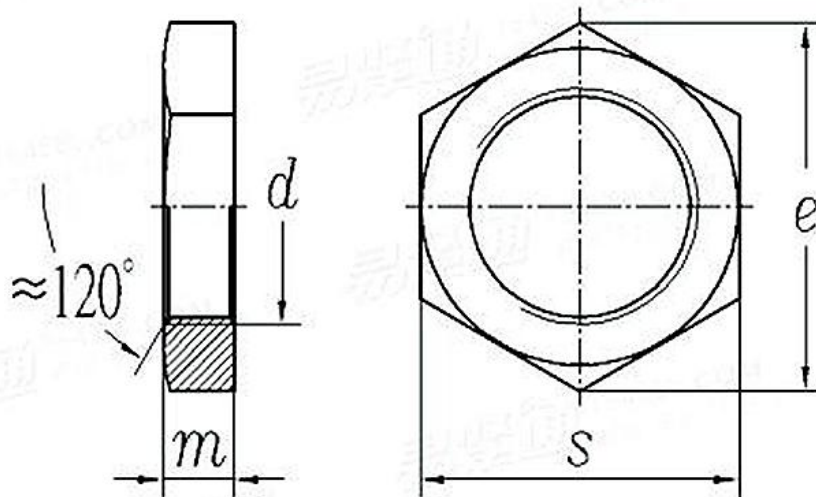
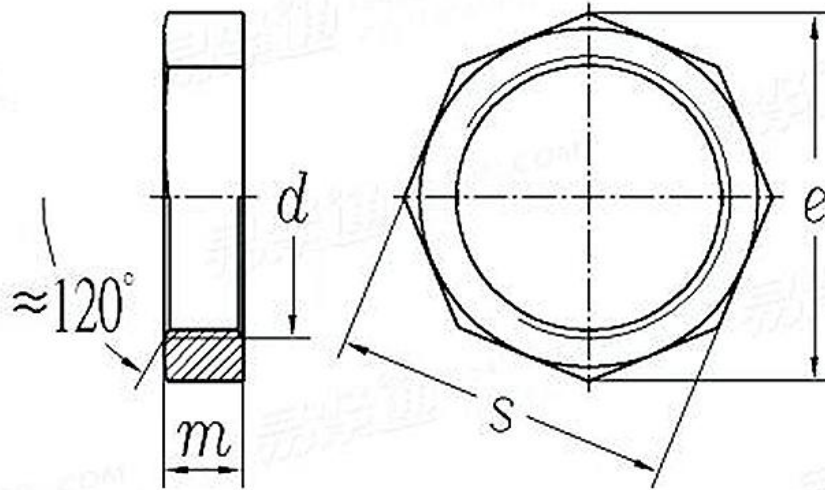
We do hope we could be your partner in business by topping quality, knight service and competitive price in the near future and be your friends as well.

DIN 80705 Hex Nut are very thin nuts with a relatively large hole. They are commonly used to mount threaded electrical switches. These are often used where light duty precision fasteners are needed. They have width close to the diameter of the fastener they secure.

Product Specification of DIN 80705 Hex Nut

Material : Carbon steel, Stainless steel, Alloy Steel, Brass.

Finishment: Black, Zinc Plated, Zinc Yellow, HDG, Phosphate, DACROMET, Geomet, Magin, Ruspert, Teflon, etc.

DIN 80705 - 1990 Thin Nuts With Coarse Pitch And Fine Pitch Thread And With Small Widths
Across Flats


Screw Thread	M12	M14	M16	M18	M20	M22	M24	M26	M30	M36	M42	M45	M52	M56	M60	M64	
D																	
P	1.5	1.5	1.5	1.5	1.5	1.5	1.5	1.5	1.5	2	2	2	2	5.5	5.5	6	
e min	18.72	20.88	23.91	26.17	29.56	32.95	35.03	39.55	45.2	50.85	55.37	60.79	70.3	75.7	81.2	86.6	
m	6	6	6	6	6	7	7	8	8	9	9	9	10	22	22	24	
s	Hex nuts	17	19	22	24	27	30	32	36	41	46	50	55	-	-	-	-
	Octagon nut	-	-	-	-	-	-	-	-	-	-	-	-	65	70	75	80
per 1000	0.7	0.82	1.1	1.2	1.6	2.3	2.5	4	5	6.2	5.9	7.7	11.2	0.32	0.36	0.45	

units≈kg																
Series	2	2	2	2	2	2	2	2	2	2	2	2	2	1	1	1

Screw Thread		M68	M72	M76	M80	M85	M90	M95	M100	M105	M110	M115	M120	M125	M130	M140
D																
P		6	6	6	6	6	6	6	6	6	6	6	6	6	6	6
e	min	92	97.4	103	108	114	119	124	130	141	141	146	157	162	168	179
	m	24	24	26	26	26	26	28	28	28	28	30	30	30	30	30
s	Hex nuts	-	-	-	-	-	-	-	-	-	-	-	-	-	-	-
	Octagon nut	85	90	95	100	105	110	115	120	130	130	135	145	150	155	165
per 1000 units≈kg		0.51	0.56	0.67	0.74	0.81	0.84	0.95	1	1.3	1.1	1.2	1.5	1.7	1.7	2.2
Series		1	1	1	1	1	1	1	1	1	1	1	1	1	1	1