



DIN 6915 Hex Nut

Leader Fastener is acknowledged as a manufacturer, exporter & suppliers of **DIN 6915 Hex Nuts** For High Strength Struc. We have a complete line of service from having invested in production plants, export department and to having a quality control team and center to meet your requirements. We regard quality as the life of the company. We persist in good quality as the first policy and have established a set of quality control and inspection system according to the international standard. We have carried out ISO9001 Quality Guarantee System in every course of production, transportation and selling. We

do hope we could be your partner in business by topping quality, knight service and competitive price in the near future and be your friends as well.

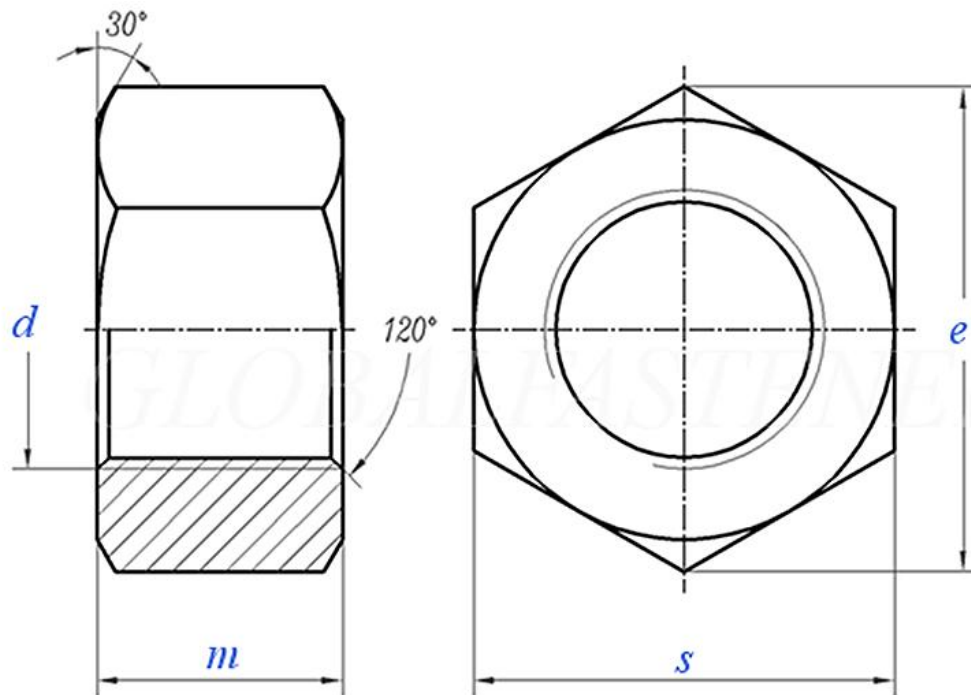
Metric **DIN 6915 Hex Nut** belongs to the high strength nut,mainly used in the steel structure bolt supporting,to play a fixed role.It also needs to be paired with two flat washers, which are called steel structures. This is one of our main products,is one of the most common nuts.

Product Specification of DIN 6915 Hex Nut

Material : Carbon steel, Stainless steel, Alloy Steel, Brass.

Finishment: Black, Zinc Plated, Zinc Yellow, HDG, Phosphate, DACROMET, Geomet, Magin, Ruspert, Teflon, etc.

DIN 6915 - 1999 High-Strength Hexagon Nuts With Large Widths Across Flats For Structural Steel Bolting



Screw Thread		M12	M16	M20	M22	M24	M27	M30	M36
D									
P	Pitch	1.75	2	2.5	2.5	3	3	3.5	4
e	min	23.91	29.56	35.03	39.55	45.2	50.85	55.37	66.44
m	max=nominal size	10	13	16	18	20	22	24	29
	min	9.64	12.3	14.9	16.9	18.7	20.7	22.7	27.7
s	max=nominal size	22	27	32	36	41	46	50	60
	min	21.16	26.16	31	35	40	45	49	58.8
per 1000 units≈kg		23.3	44.8	73.9	104	163	224	300	515

①,Material:Steel, Strength class: 10. Standard DIN EN 20898-2