

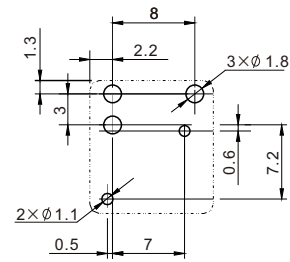
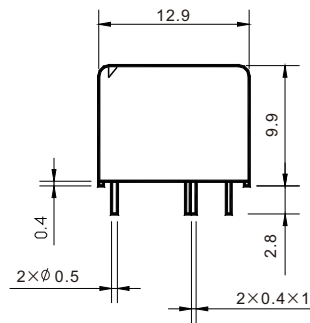
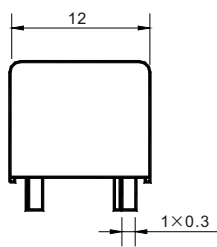
NV23K&NV23KW

Characteristics

Insulation Resistance	1000M Ω min (at 500VDC)	Item 4.11 of IEC 61810-7
Dielectric Strength Between Contacts Between Contact and Coil	50Hz 500V 50Hz 500V	Item 4.9 of IEC 61810-7 Item 4.9 of IEC 61810-7
Shock Resistance	294m/s ² 6ms	Item 4.26 of IEC 61810-7
Vibration Resistance	10Hz~500Hz Double amplitude 1.27mm 60m/s ²	Item 4.28 of IEC 61810-7
Terminals Strength	10N	Item 4.24 of IEC 61810-7
Ambient Temperature	-40 $^{\circ}$ C~105 $^{\circ}$ C	
Relative Humidity	5% to 85%	Item 4.16 of IEC 61810-7
Mass	4g	Item 4.7 of IEC 61810-7

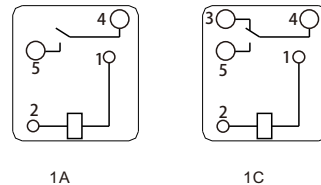
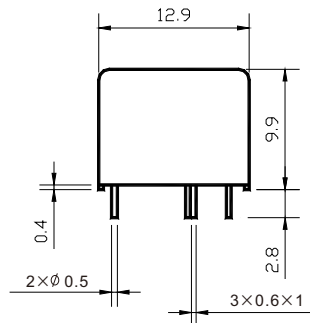
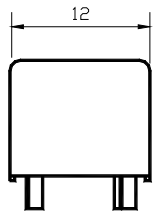
Dimensions

mm



Mounting (Bottom view)

NV23K



1A

1C

Wiring diagram
(Bottom view)

NV23KW

Dimensions

CAUTION: In case of no tolerance shown in outline dimension: outline dimension ≤ 1 mm, tolerance should be ± 0.2 mm ;
outline dimension > 1 mm and ≤ 5 mm, tolerance should be ± 0.3 mm; outline dimension > 5 mm, tolerance should be ± 0.4 mm.