



22.5 × 15.2 × 16.2

Features

- Low profile.
- Low temperature rise.
- Suitable for automation system and automobile auxiliary etc.

Ordering Information

NCV **A** **Z** **25** **R**
 1 2 3 4 5

1 Part number: NCV	5 Coil transient suppression: R: with resistance NIL: standard
2 Contact arrangement: A:1A	
3 Enclosure: S: Wash tight ;Z: Flux proof	
4 Contact current: 25A/14VDC	

Contact Data

Contact Arrangement	1A(SPSTNO)		
Contact material	AgSnO ₂		
Contact Rating (Resistive)	25A/14VDC		
Max. Switching Power	350W		
Max. Switching voltage	30VDC	Max. Switching Current :25A	
Voltage Drop(Initial)	Typ: 50mV(at 10A)	Item 4.12 of IEC 60255-7	
Operation Life	Electrical	1 × 10 ⁵	Item 4.30 of IEC 61810-7
	Mechanical	1 × 10 ⁶	Item 4.31 of IEC 60255-7

Coil Parameter

Dash numbers	Coil voltage VDC		Coil resistance Ω ± 10%		Pick-up voltage VDC(max) (65%of rated voltage)	Drop-out voltage VDC(min) (10% of rated voltage)	Coil power W		Operate time ms	Release time ms
	Rated	Max.	Without resistor	With resistor			Without resistor	With resistor		
012-1070	12	15.6	135	120	7.8	1.2	Approx. 1.07	Approx. 1.2	≤10	≤10

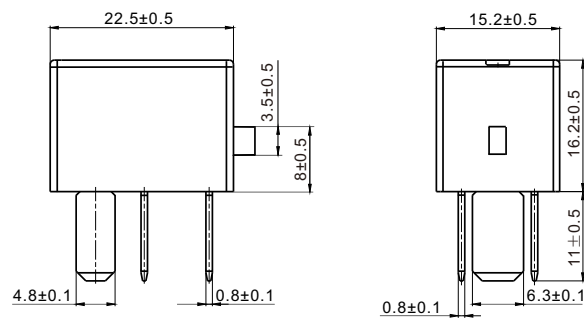
- CAUTION:** 1.The use of any coil voltage less than the rated coil voltage will compromise the operation of the relay.
 2.Pickup and release voltage are for test purposes only and are not to be used as design criteria.

Characteristics

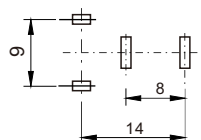
Insulation Resistance	20M Ω min (at 500VDC)	Item 4.11 of IEC 61810-7
Dielectric Strength Between Contacts Between Contact and Coil	50Hz 500V 50Hz 500V	Item 4.9 of IEC 61810-7 Item 4.9 of IEC 61810-7
Shock Resistance	Functional: 98m/s ² 11ms Destructive: 980m/s ² 11ms	Item 4.26 of IEC 61810-7 Item 4.26 of IEC 61810-7
Vibration Resistance	Functional: 10Hz~100Hz 44.1m/s ² Destructive: 100Hz~500Hz 44.1m/s ²	Item 4.28 of IEC 61810-7 Item 4.28 of IEC 61810-7
Terminals Strength	10N	Item 4.24 of IEC 61810-7
Ambient Temperature	-40°C~105°C	
Relative Humidity	5% to 85%	Item 4.16 of IEC 61810-7
Mass	14g	Item 4.7 of IEC 61810-7

Dimensions

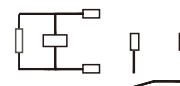
mm



Dimensions



Mounting (Bottom view)



Wiring diagram (Bottom view)