

# NVF11 & NVF12



29×24×30



32×26×30

## Features

- Switching capacity up to 40A.
- Direct inserting mounting.
- Suitable for automation system and automobile auxiliary etc.

## Ordering Information

**NVF11** A Z **30** DC12V R

1 2 3 4 5 6

1 Part number: NVF11 & NVF12  
 2 Contact arrangement: A:1A  
 3 Enclosure: S: Wash tight ; Z: Flux proof  
 4 Contact current: 30A/14VDC

5 Coil Voltage(VDC): 12,24  
 6 Coil transient suppression: NIL:standard  
 R:with resistor

## Contact Data

Contact Arrangement	1A(SPSTNO)		
Contact material	AgSnO <sub>2</sub>		
Contact Rating (Resistive)	30A/14VDC		
Max. Switching Power	420W		
Max. Switching Voltage	30VDC	Max. Switching Current :40A	
Voltage Drop(Initial)	Typ.50mV(at 10A)	Item 4.12 of IEC 61810-7	
OperationLife	Electrical	1×10 <sup>5</sup>	Item 4.30 of IEC 60255-7
	Mechanical	1×10 <sup>7</sup>	Item 4.31 of IEC 60255-7

## Coil Parameter

Dash numbers	Coil voltage VDC		Coil resistance Ω ±10%	Pick-up voltage VDC(max) (65% of rated voltage)	Drop-out voltage VDC(min) (8% of rated voltage)	Coil power W	Operate time ms	Release time ms
	Rated	Max.						
012-1500	12	15.6	96	7.8	0.96	1.5	≤10	≤7
024-1500	24	31.2	384	15.6	1.92	1.5	≤10	≤7

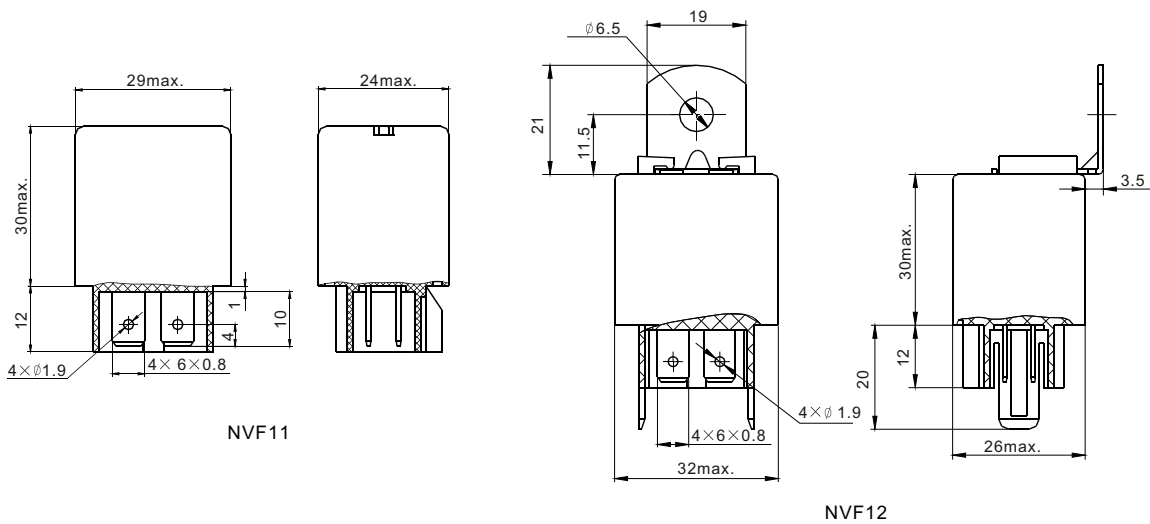
CAUTION: 1.The use of any coil voltage less than the rated coil voltage will compromise the operation of the relay.  
 2.Pickup and release voltage are for test purposes only and are not to be used as design criteria.

## Characteristics

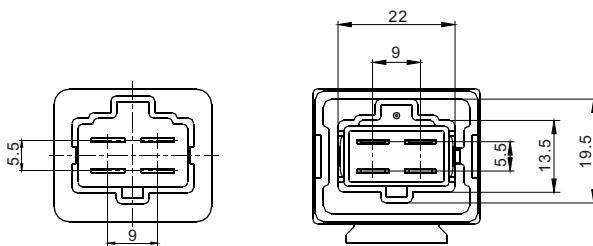
Insulation Resistance	100M $\Omega$ min (at 500VDC)	Item 4.9 of IEC 61810-7
Dielectric Strength Between Contacts Between Contact and Coil	50Hz 500V 50Hz 750V	Item 4.9 of IEC 61810-7 Item 4.9 of IEC 61810-7
Shock Resistance	Functional: 98m/s <sup>2</sup> 11ms	Item 4.26 of IEC 61810-7
Vibration Resistance	10Hz~55Hz Double amplitude 1.5mm	Item 4.28 of IEC 61810-7
Terminals Strength	10N	Item 4.24 of IEC 61810-7
Ambient Temperature	-40 $^{\circ}$ C~105 $^{\circ}$ C	
Relative Humidity	5% to 85%	Item 4.16 of IEC 61810-7
Mass	35g(NVF11) 38g(NVF12)	Item 4.7 of IEC 61810-7

## Dimensions

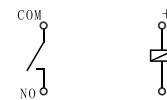
mm



Dimensions



Mounting (Bottom view)



Wiring diagram (Bottom view)

**CAUTION:** In case of no tolerance shown in outline dimension: outline dimension  $\leq$ 1mm, tolerance should be  $\pm$ 0.2mm; outline dimension  $>$ 1mm and  $\leq$ 5mm, tolerance should be  $\pm$ 0.3mm; outline dimension  $>$ 5mm, tolerance should be  $\pm$ 0.4mm.