



### S30432 Stainless Steel Seamless Pipe

Zhejiang Bewell Steel Co., Ltd. is not only able to produce excellent Bewell® s30432 stainless steel seamless pipe, stainless steel seamless steel pipes, stainless steel welded pipes and other pipe fittings, but also has a unique production concept. We insist on standardization, systematization and standardization of production, implement an all-round and multi-angle quality management strategy to ensure product quality, whole process quality inspection and tracking, and not let go of every small link.

## Product Description

Bewell® Seamless stainless steel pipe is a seamless stainless steel pipe that is resistant to weakly corrosive media without welding. This Bewell® seamless 321 austenitic stainless steel pipe produced by Zhejiang Bewell Steel Co., Ltd. has a high level of quality in China, a long service life and a low number of replacements, which can bring you maximum convenience and cost effectiveness.

### Parameter(Specification) of the Bewell® S30432 Stainless Steel Seamless Pipe

Product Name	Bewell® S30432 Stainless Steel Seamless Pipe
Material type	Stainless steel round/square tube pipe
Items	Square tubes, rectangular tubes, round tubes
Thickness	0.5~75mm
Specifications	Outer diameter (pipe): 1) Round tube: 8mm to 680 mm 2) Square tube: 10x10mm to 300x300mm 3) Rectangular tube: 10x20mm to 120x180mm
Surface	Polishing, annealing, pickling, bright
Technology	Cold/hot rolling
Test	Squash test, extended test, water pressure test, crystal rot test, heat
Packing	Standard export packing

Zhejiang Bewell Steel Industry Co., Ltd.

Phone: +86-18072196625

E-mail: [bwss@vip.163.com](mailto:bwss@vip.163.com)

Payment	T/T, L/C, Western Union
Delivery time	2-15 working days upon receipt of the deposit
MOQ	1 ton
Application	Pipe: Decoration, Construction, Upholstery, Water supplying... handrail, railing, staircase, door, window, balcony, fence, bench, furniture etc,

**Feature and application of the Bewell® S30432 Stainless Steel Seamless Pipe****Features:**

Selected raw materials

Waterproof

- (3) Fully stocked
- (4) No rusting

**Application scenarios:**

## APPLICATION



Stainless Steel Cutlery



Stainless Steel Elevator



Escalator



kitchen&cookware



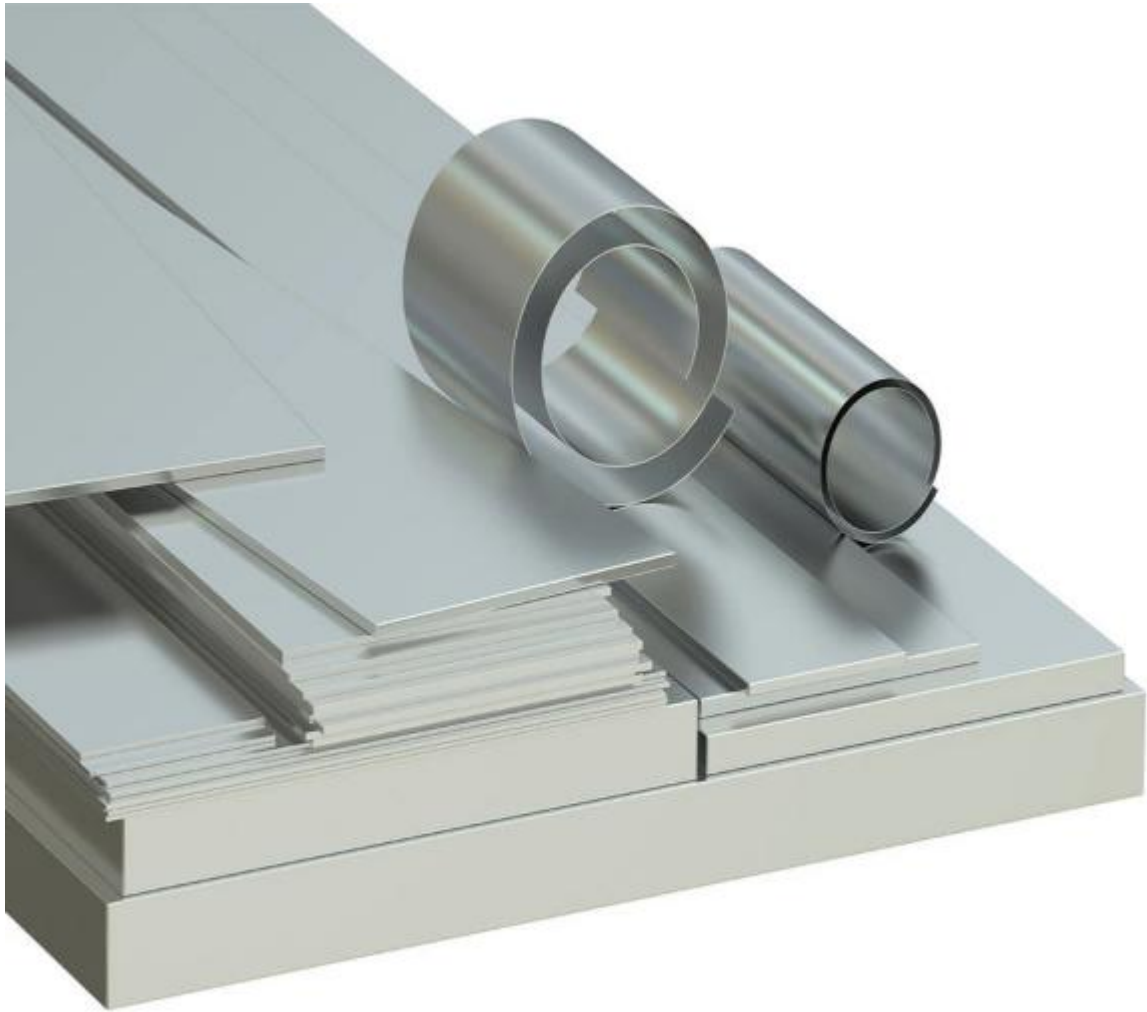
Stainless Steel Tank



Stairs

### Details of the Bewell® S30432 Stainless Steel Seamless Pipe





## FAQ

Q1:Can you send samples?

A:Of course, we can provide customers with free samples and express shipping service to all over of the world.

Q2:What product information do I need to provide?

A:Please kindly provide the grade, width, thickness, surface treatment requirement should you have and quantities you need to purchase.

Q3:It's my first time to import steel products, can you help me with it?

A:Sure,we have agent to arrange the shipment, we will do it together with you.

Zhejiang Bewell Steel Industry Co.,Ltd.

Phone:+86-18072196625

E-mail:[bwss@vip.163.com](mailto:bwss@vip.163.com)

Q4:What ports of shipment are there?

A:Under normal circumstances, we ship from Shanghai, Tianjin, Qingdao, Ningbo ports, you can specify other ports according to your needs.

Q5:What about product prices information?

A:Prices various according to periodic price changes of raw materials.

Q6:What is your terms of payment ?

A:Payment<=1000USD, 100% in advance. Payment>=1000USD, 30% T/T in advance ,balance before shipment or based on BL copy or LC at sight.

Q7.Do you provide custom made Products service?

A: Yes,if you have your own design , we can produce according to your specification and drawing.

Q8:What are the certifications for your products?

A:We have ISO 9001, MTC, third parties' inspections are all available such SGS, BV ect.

Q9:How long does your delivery time take?

A:In general, our delivery time is within 7-15 days, and may be longer if the quantity is extremely large or special circumstances occur.

Q10: How many countries you already exported to?

A:We have exported to America, Canada, Brazil, Chile, Colombia, Russia, Ukraine, Thailand, Myanmar, Vietnam, India, Kenya, Ghana,somalia and other African countries.Our export experience is rich, we familiar with different market demands, can help customers avoid a lot of trouble.

Q11:Can I go to your factory to visit?

A:Of course, we welcome customers from all over the world to visit our factory.

Q12:Does the product have quality inspection before loading?

A:Of course, all our products are strictly tested for quality before packaging, and unqualified products will be destroyed and customers can appoint third parties to inspect the products before loading too.

Q13:How to pack the products?

A: Standard export sea-worthy packaging, the inner layer has a waterproof paper outer layer with iron packaging and is fixed with a fumigation wooden pallet. It can effectively protect products from corrosion and various climate changes during ocean transportation.

Q14:What is your working time?

A:In general, our online service time is Beijing time: 8:00-22:00, after 22:00, we will reply to your inquiry in the coming working day.