

SC Type Electric Power Terminals Connector Lug Crimp Cable Lugs



Model:SC

Cable terminal lug is a kind of accessory for electrical connections, which can be crimped on cable/wire/ electrical equipment without thermal treatment.

Product Introduction

SC Copper lug made of tin-plated copper. These lugs are used for severe-duty applications and have thicker walls for greater strength and conductivity. Lugs can be crimped or soldered and are stackable. Soldering allows you to make a connection without needing an expensive tool. Simply drop the slug in your terminal, heat, then insert your wire.

Product Feature

- 1.manufactured from pure electrolytic copper. cu \geq 99.9%
- 2.copper lugs & cable terminals from 2.5 to 630 mm² with different stud hole sizes as required
- 3.lead free electro tin plated to prevent atmospheric corrosion.
- 4.cable lugs are fully annealed to guarantee optimum ductility.
- 5.incorporate inspection hole to check the correct cable positioning



Gedele Has Chamfering Treatment



Other companys Don't Have Chamfering Treatment



Gedele Has 4-5 microns Thickness Tin Plating



Others Has Less 3microns Thickness Tin Plating



Gedele Product is smooth and no Burrs



Others Has obvious defect



Gedele's Inspection Hole is more flat



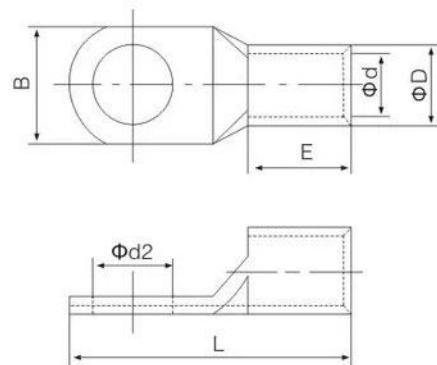
Others Products made by rough Molds



Product Parameter (Specification)

Type	ϕ	D	d	L
SC-1.5	$\phi 4.2, \phi 5.2$	3.5	1.8	18
SC-2.5	$\phi 4.2, \phi 5.2, \phi 6.2$	4	2.5	19
SC-4	$\phi 5.2, \phi 6.2$	4.8	3.1	21
SC-6	$\phi 5.2, \phi 6.2, \phi 8.2$	5.5	3.8	24
SC-10	$\phi 6.2, \phi 8.2$	6.8	4.8	25.5
SC-16	$\phi 6.2, \phi 8.2, \phi 10.5$	7.5	5.5	30.5
SC-25	$\phi 6.2, \phi 8.2, \phi 10.5$	9	7	34
SC-35	$\phi 6.2, \phi 8.2, \phi 10.5, \phi 12.5$	10.5	8.2	38
SC-50	$\phi 8.2, \phi 10.5, \phi 12.5$	12.5	9.8	46.5
SC-70	$\phi 8.2, \phi 10.5, \phi 12.5$	14.5	11.5	49
SC-95	$\phi 10.5, \phi 12.5$	17.5	13.8	55

SC-120	$\varnothing 12.5, \varnothing 16.5$	19.5	15.5	64.5
SC-150	$\varnothing 12.5, \varnothing 16.5$	21	16.5	67
SC-185	$\varnothing 16.5$	23.5	18.8	78
SC-240	$\varnothing 16.5$	26.5	21	84
SC-300	$\varnothing 16.5, \varnothing 20.5$	30	24	94
SC-400	$\varnothing 16.5, \varnothing 20.5$	34	26.5	109
SC-500	$\varnothing 16.5, \varnothing 20.5$	38	30	123
SC-630	$\varnothing 20.5$	45	35	135
SC-800	$\varnothing 22.5$	50	39	170
SC-1000	$\varnothing 22.5$	56	44	200



Product Details









