



Rotary indoor high voltage disconnecter

Model:GN30-12

Gn30-12 rotary indoor high voltage disconnecter is a new type of rotary knife contact disconnecter. Its main structure is to fix two sets of insulators and contacts on the upper and lower planes of the three-phase common low frame, and rotate the knife contact. So as to realize the closing and opening of the switch.

Product Introduction

Gn30-12 rotary indoor high voltage disconnecter is a new type of rotary knife contact disconnecter. Its main structure is to fix two sets of insulators and contacts on the upper and lower planes of the three-phase common low frame, and rotate the knife contact. So as to realize the closing and opening of the switch. Gn30-12d switch is a form with grounding knife added to gn30-12 switch, which can meet the needs of different power systems. This product has compact design, small occupation space, strong insulation capacity, and is easy to install and adjust. Its performance meets the requirements of gb1985-89 AC high voltage disconnecters and earthing switches. It is suitable for indoor power systems with rated voltage of 10kV AC 60 hertz and below. It is used for opening and closing circuits with voltage and no load. It can be used together with high-voltage switch cabinet or separately.

Product features

- ◆ the altitude shall not exceed 1000m.
- ◆ ambient air temperature: upper limit +40 °C; Lower limit -10 °C.
- ◆ relative humidity: the daily average value shall not be greater than 95%; The monthly average value shall not be greater than 90%.
- ◆ the seismic intensity shall not exceed 8 degrees.
- ◆ places without serious dust, chemical corrosive and explosive substances.
- ◆ places without frequent violent vibration.

Product Parameter (Specification)

Parameter project	GN30-12/ 400-12.5	GN30-12/630-20	GN30-12/1000-3 1.5	GN30-12/1250-3 1.5
	GN30-12	GN30-12D/630-20	GN30-12D/1000-	GN30-12D/1250

	D/400-12. 5		31.5	-31.5
Rated voltage (kV)	10			
Maximum voltage (kV)	11.5			
Rated current (a)	400	630	1000	1250
Thermal stability current (KA)	12.5	20	31.5	
Thermal stability time (s)	4			
Dynamic stable current (KA)	31.5	50	80	
Rated absolute Marginal level	Rated impulse voltage (kV)	75		
	1min power frequency withstand voltage (kV)	42		

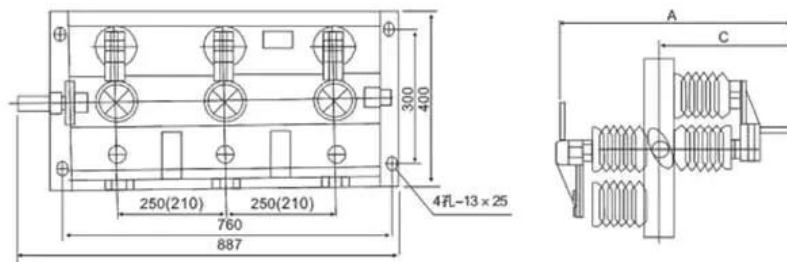


Figure I GN30-12/
400 630 1000

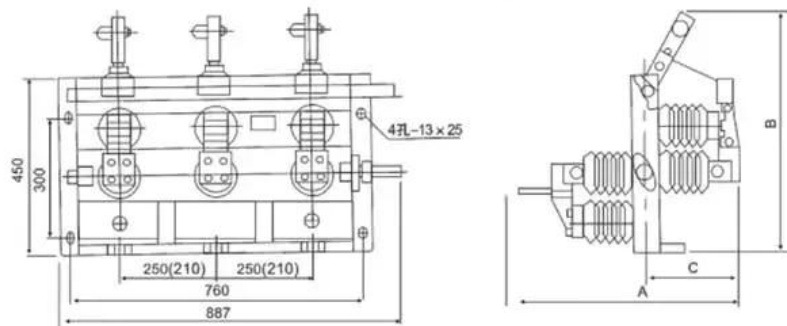
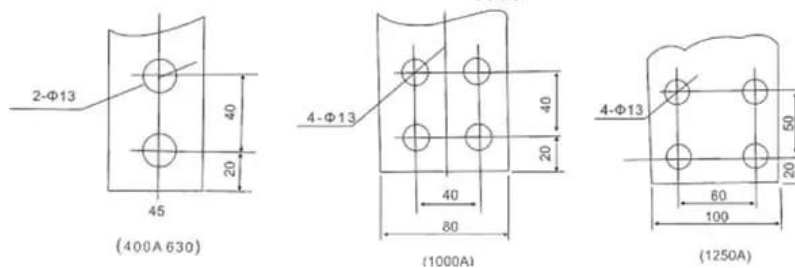


Figure II GN30-12D/
400 630 1000



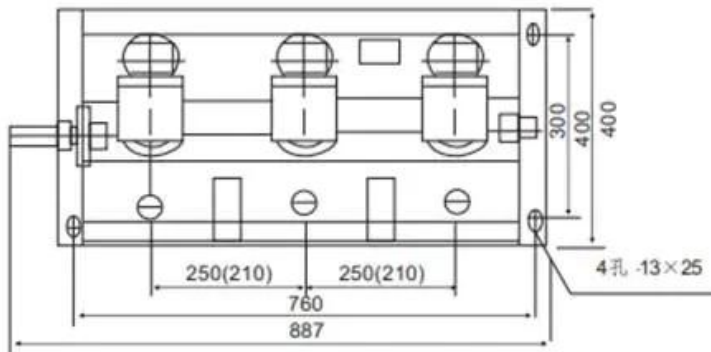


Figure I IIGN30-12/ 1250

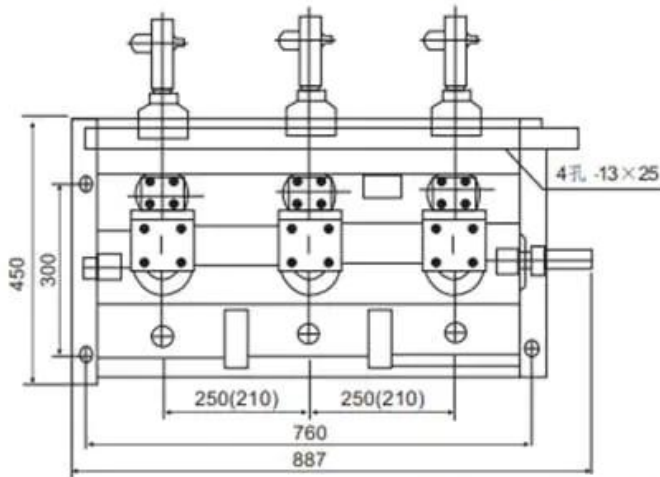
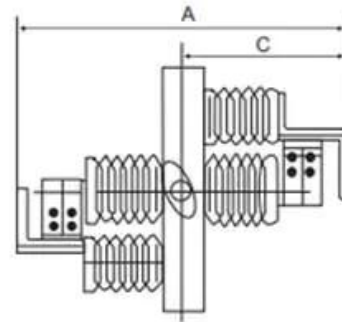
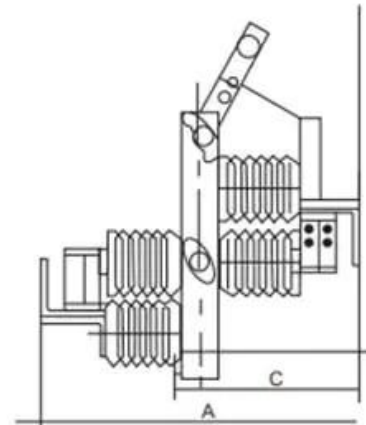


Figure IV GN30 -12D /1250



GN30 -12				GN30-12D										
400A	630A	1000A	1250A	400A	630A	1000A	1250A							
A	C	A	C	A	C	A	B	C	A	B	C	A	B	C
~560	~315	~580	~332	~580	~295	~550	~610	~240	~575	~615	~245	~580	~600	~295

More products are as follows





Packaging

Normal package, Packed in Roll, Plastic film winding, Standard export carton, Or based on your demands.