

MLPD24-C Multi-chamber Arc Blowing Type Line Protection Device

Model:MLPD24-C

Jecsany is MLPD24-C Multi-chamber Arc Blowing Type Line Protection Device manufacturers and suppliers in China who can wholesale MLPD24-C Multi-chamber Arc Blowing Type Line Protection Device.



Product Introduction

Buy Discount MLPD24-C Multi-chamber Arc Blowing Type Line Protection Device with Low Price made in China. Jecsany is a MLPD24-C Multi-chamber Arc Blowing Type Line Protection Device manufacturer and supplier in China.

Specification

1. Highest voltage for equipment can be up to 24 kV.
- 2.No maintenance is required
- 3.Protection against: IOV
- 4.Only 1 product per pole is required
- 5.Products are installed with phase alternation (A -> B -> C)
- 6.Definitely great use and the highest possible reliability
- 7.Line Protection Device has been designed to ensure the most effective protection from indirect strokes. This device is able to perform as highly effective lightning protection system, providing secure power network operation in 80% of such issues.
- 8.In order to protect sensitive equipment, such as pole-mounted transformers (PMT), conventional metal oxide surge arresters still must be used

Operational Principle

- 1.Ensuring a high ability to discharge excessive energy of an overvoltage in the surrounding atmosphere

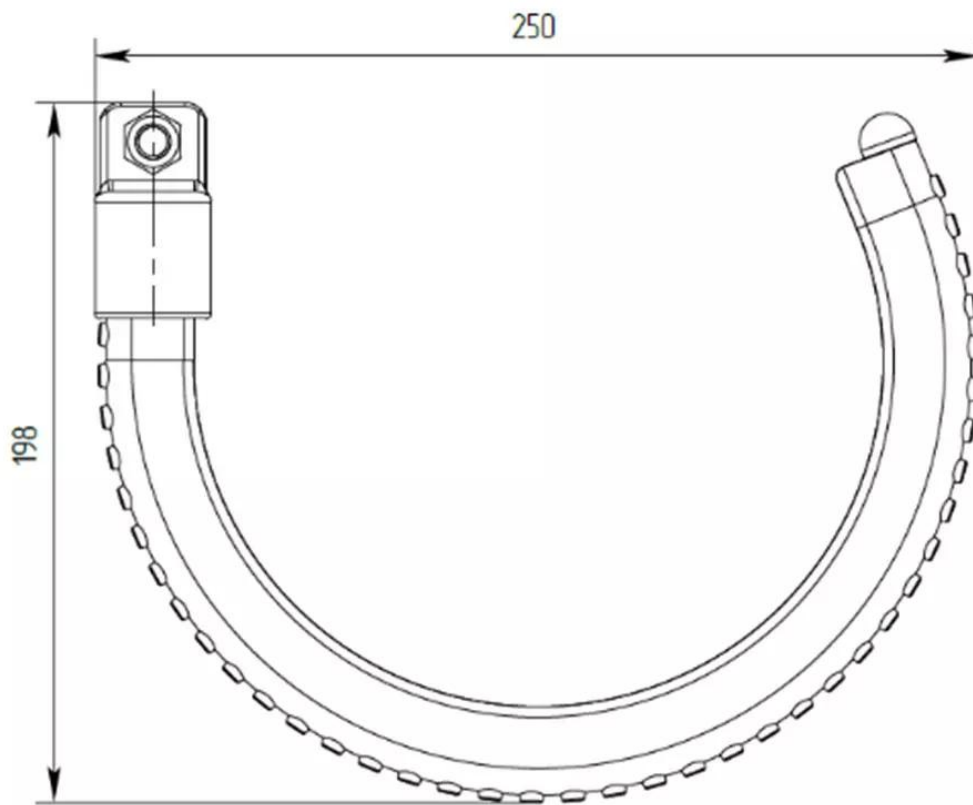
2.The induced overvoltage will create an electrical power arc between the terminal electrode of a MLPD and the conductor clamp on a line. First, the arc will be divided into a series of small arcs by a series of discharge chambers, and then quickly extinguished when the oscillating current of the grid exceeds zero.

Parameters

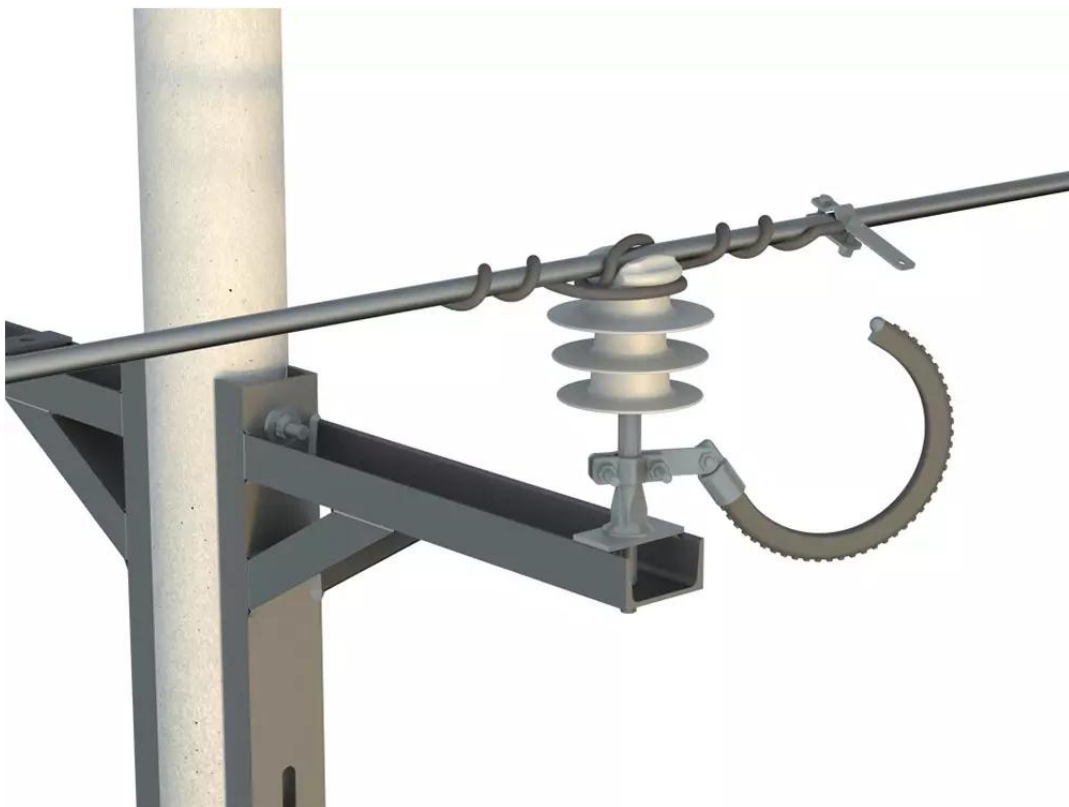
Description	Unit	Value
Electrical line parameters		
Highest voltage for equipment (1)	kV	24
Maximum prospective fault current	kA	1,5
External air gap	mm	60±10
50% flashover voltage	kV	140
Power frequency withstand voltage (2)	kV (wet/dry)	30/40
Lightning parameters		
Lightning discharge capability (200 μs) (3)	C	2.4
High current impulse (4/10 μs)	kA	65
Maximum quenching lightning current,	kA	3 (1/50μs)
Minimum withstand amount of operations		10
General Parameters		
Additional power losses on the line	%	0
Average expected lifespan	years	30
UV resistance (4)	h	1000
Weight	kg	0.43
Maintenance		1 visual verification per year

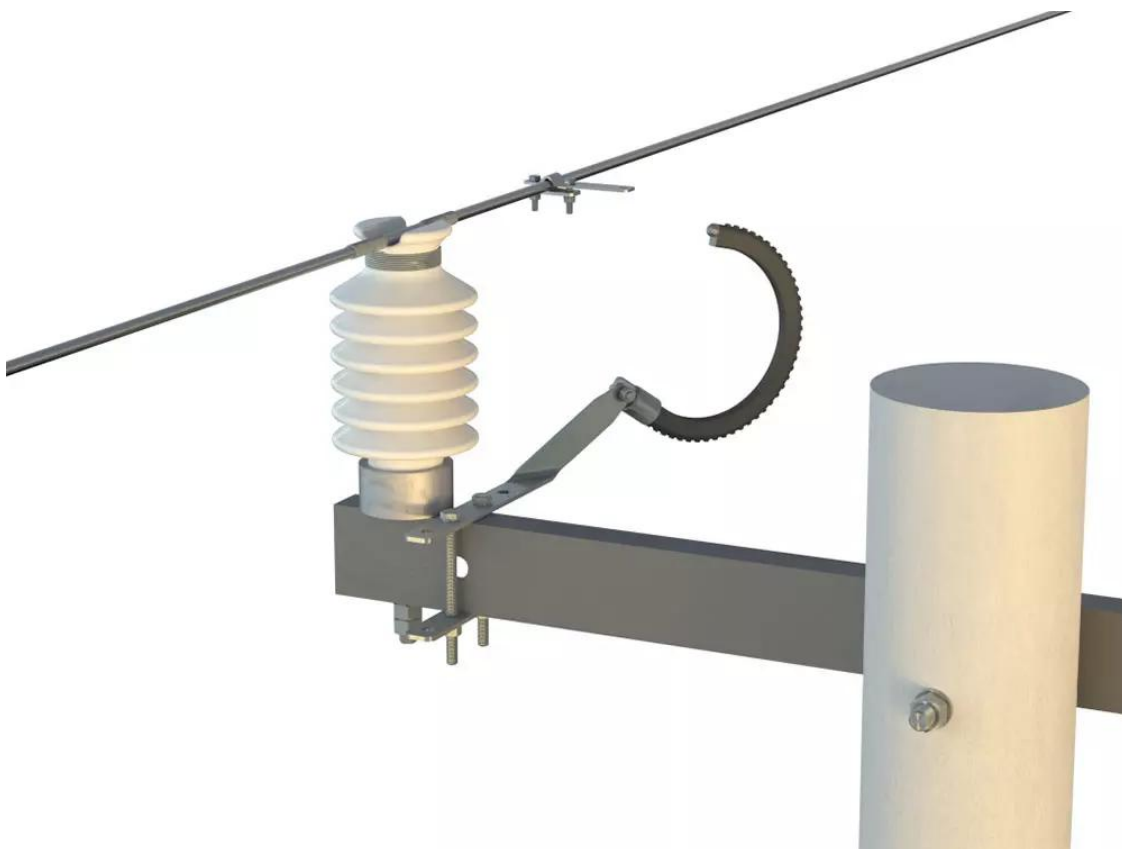
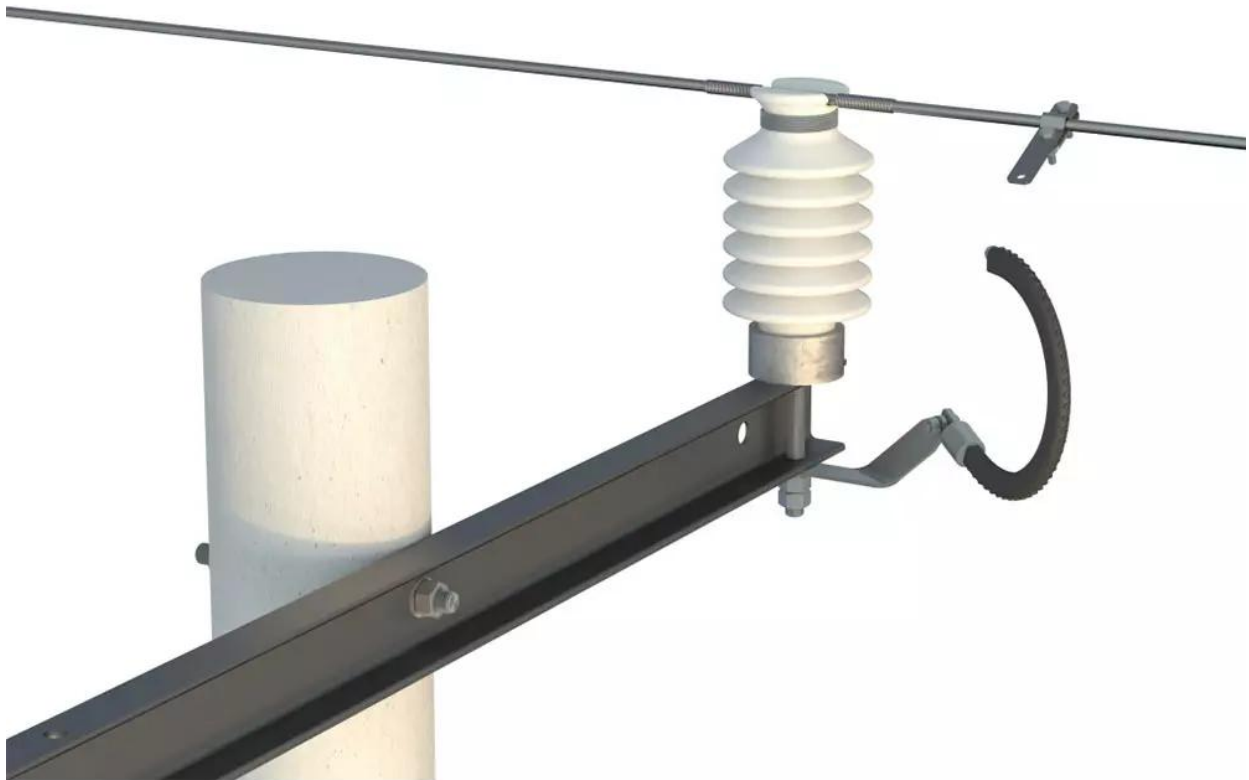
(1) According to IEC 60038, (2) According to IEC 60071-1, (3) According to IEC 60099-8, (4) According to ISO 4892-2, method A, IEC 62217

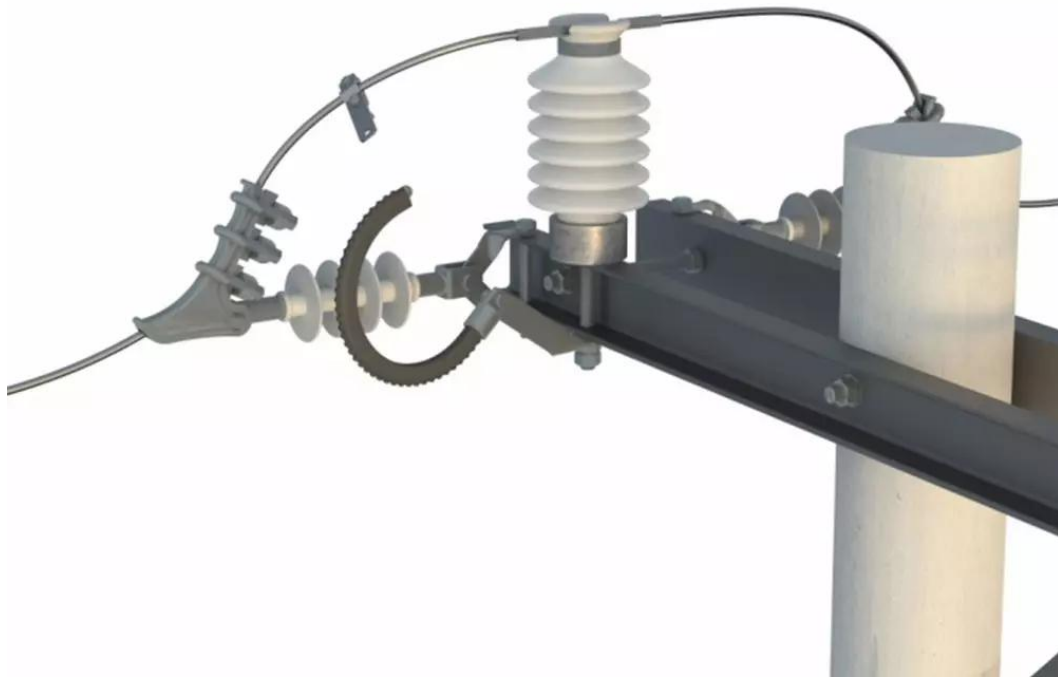
Size



Installation







Pin/post/pin-post

