

## High Voltage Electrical Porcelain Spool Insulators

Model:1617



Jecsany as the professional manufacturer, we would like to provide you High Voltage Electrical Porcelain Spool Insulators. The porcelain insulator are used on substation & transmission Line. It helps to support and hand wire, insulation wires against pole.

### Product Introduction

Hot Sale China High Voltage Electrical Porcelain Spool Insulators Manufacturers and Suppliers. Jecsany is a High Voltage Electrical Porcelain Spool Insulators manufacturer and supplier in China. 1617 Porcelain insulators are insulators made of electrical ceramics. Electrical ceramics are baked from quartz, feldspar and clay. The surface of the porcelain piece of the porcelain insulator is usually covered with enamel to improve its mechanical strength, waterproof and infiltrate, and increase the surface smoothness. Among all kinds of insulators, porcelain insulators are the most commonly used.

### Product Parameter (Specification)

Fig		2	1	1	3	3	3	
Class BS		ED-2(c)	ED-2(B)	ED-2(B)1	1617	1618-1	1618-2	
Man Dimensions mm	H	80	76	76	65	75	75	
	D	80	89	89	76	89	89	
	d	50	48	48	46	55	55	
	D1	22	21	17.5	17.6	17	17	
	R	6	10	10	9	12.5	12.5	
Mechanical faling loadN)		13	12	12	9	10	13	
Minimum flashover voltage	Power frequency	Dry(kv)	25	25	25	20	20	25
		Wet(kv)	25	12	12	9	9	12
Weight(kg)		0.50	0.50	0.50	0.4	-	-	

## **Product Feature And Application**

Our advantages:

Products are produced by ourselves, which ensures good profit margin and flexibility.

Our products have passed Design Test and Quality Conformance Tests on ANSI Class, and meet standards such as IEC.

We have large market share home and abroad.

Exclusive and unique solution can be provided to our customers by our well-trained and professional engineers and staffs.

## **Product Details**



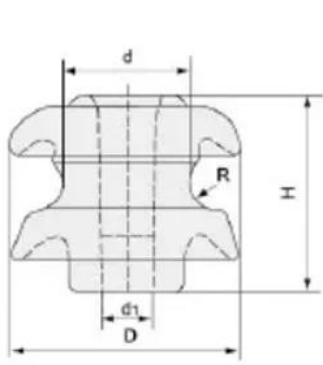


Fig 1

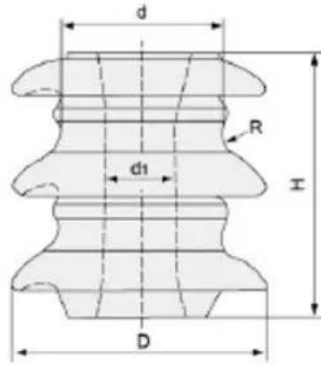


Fig 2

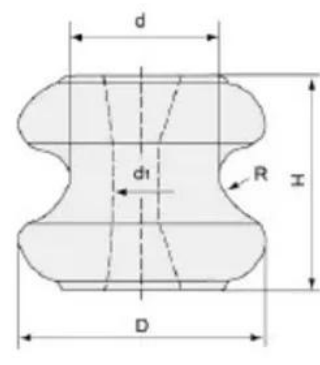


Fig 3

