

400W Aluminum LED Street Light



Model:HB-189L-400W

The whole LED street light (lamp) has streamline design, strong skeleton feeling, appearance and utility model patents

The lamp body is made of die-casting aluminum alloy, and the surface is sprayed with paint.

The unique integrated design of Optics and heat dissipation ensures the efficient and reliable operation of lamps and lanterns.

The optical module mode of integrating lens, reflector and light source is adopted.

All important parts of the lamp are easy to maintain.

The waterproof of the whole lamp reaches IP66 and the power supply reaches IP67.

Product Introduction

Street lighting is a core piece of urban and rural infrastructure. Lighting helps to create a safe environment for both pedestrians and drivers. Many

streets around the world are now being updated to LED lighting, which uses less energy and is more reliable than traditional sodium lamps, significantly reducing the cost of keeping streets illuminated.

Designed from the ground up as a totally optimized LED street and area lighting system, our street light delivers incredible efficiency without sacrificing

Product Parameter (Specification)

Working Environment:

The environment temperature in the -30°C ~ 45°C,

The relative humidity in the 10% ~ 95% of the road, bridge, port, station, square, factory and other places of lighting.

Installation: 60 pole arm installation

Fixed pole screw torque: 50Nm-70Nm

Installation height: 10-12m

Maximum projected area: 0.16m²

Power	150W	200W	250W	300W	350W	400W
Light Luminous Efficiency	>120LM/W	>120LM/W	>120LM/W	>120LM/W	>120LM/W	>120LM/W
LED Initial Flux	18000lm	24000lm	30000lm	36000lm	42000lm	48000lm

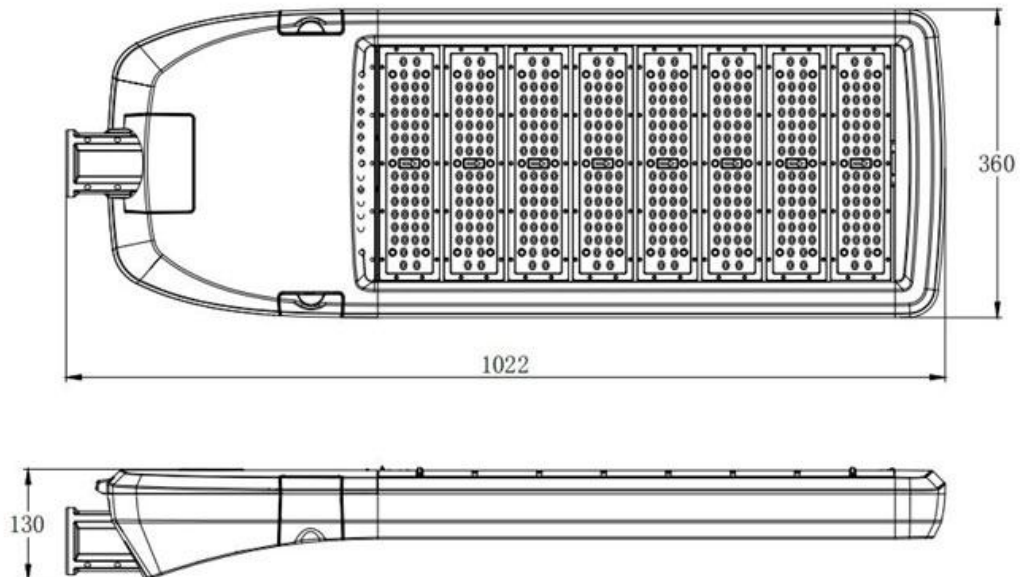
Color Temperature	3000k-5000k	3000k-5000k	3000k-5000k	3000k-5000k	3000k-5000k	3000k-5000k
Coefficient Of Color	Ra≥70	Ra≥70	Ra≥70	Ra≥70	Ra≥70	Ra≥70
Power Factor	≥0.95	≥0.95	≥0.95	≥0.95	≥0.95	≥0.95
IP Rating	IP65	IP65	IP65	IP65	IP65	IP65
Lamp Size	645*360*130	720*360*130	795*360*130	870*360*130	945*360*130	1020*360*130

LED Street Light Chip: Philip Chip, MEAN WELL driver

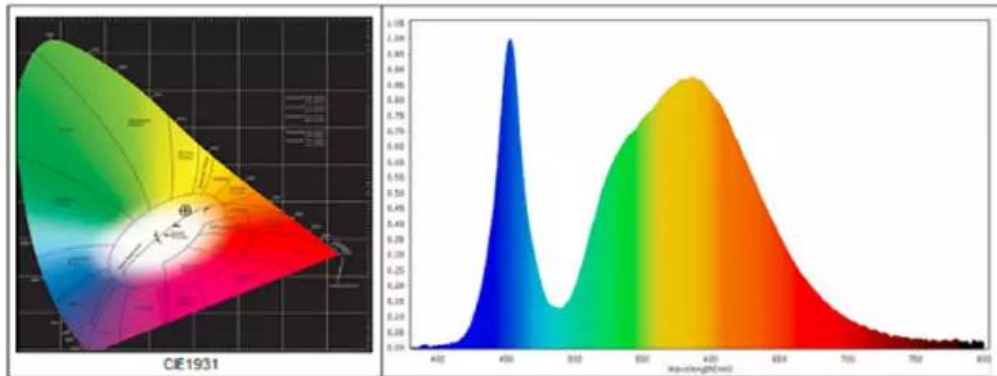
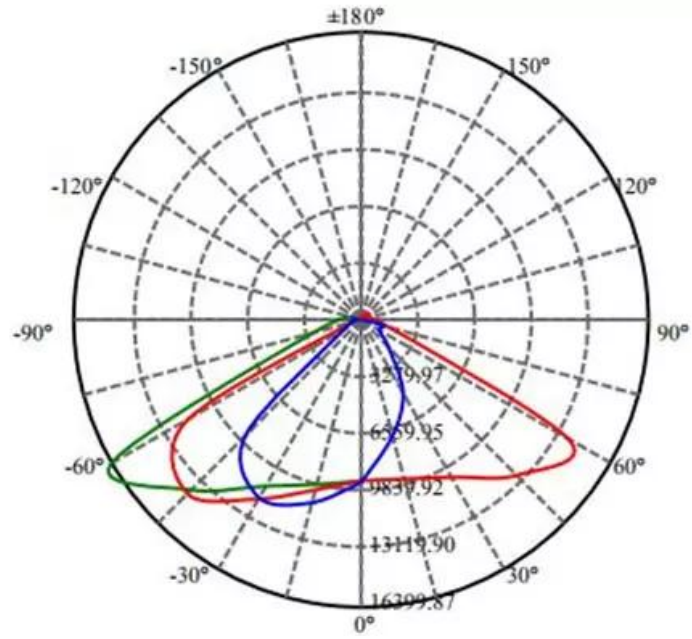
SPD-10S-277S (MEAN WELL)

Aluminum material, Grey housing

Size of 400W Aluminum LED Street Light



Distribution Curve Flux



Project Reference of Aluminum LED Street Light

