

## 250um Copper Clad Steel Ground Rod

Model:JCRD

Jecsany as the professional manufacturer, we would like to provide you 250um Copper Clad Steel Ground Rod.

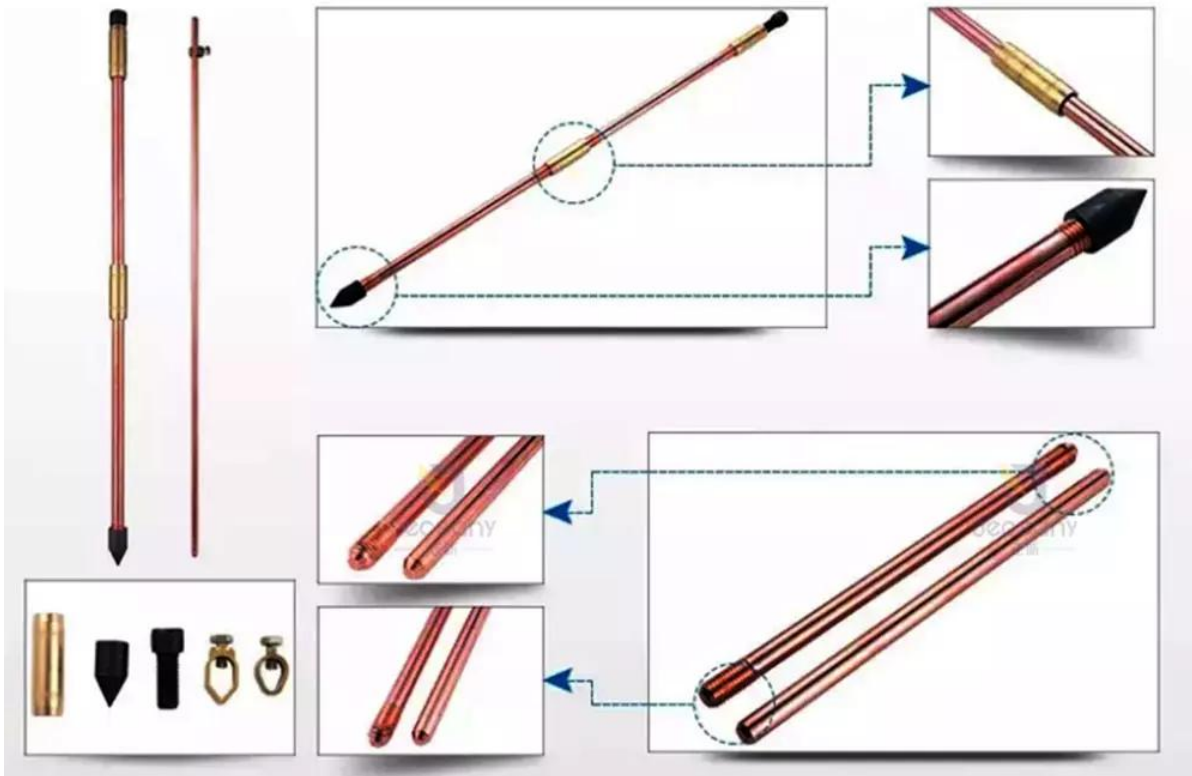
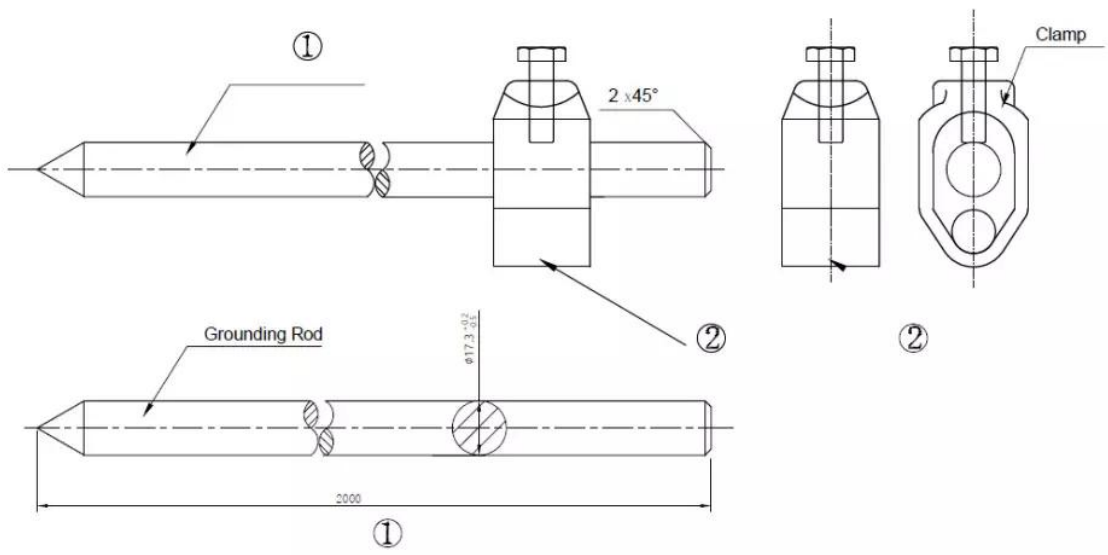


### Product Introduction

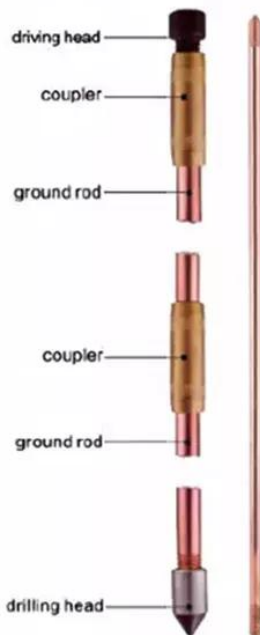
China Quality 250um Copper Clad Steel Ground Rod Manufacturers and Suppliers. Jecsany is a 250um Copper Clad Steel Ground Rod manufacturer and supplier in China.

### Earth Rod Size

Part No	Diameter (mm)	Length L(mm)								Copper Thickness (mm)	kg/m
		1200	1220	1500	1800	2400	2440	2500	3000		
JCRD12xL	12.7	1200	1220	1500	1800	2400	2440	2500	3000	0.254	1.00
JCRD14xL	14	1200	1220	1500	1800	2400	2440	2500	3000	0.254	1.22
JCRD58xL	14.2	1200	1220	1500	1800	2400	2440	2500	3000	0.254	1.25
JCRD158xL	15.8	1200	1220	1500	1800	2400	2440	2500	3000	0.254	1.55
JCRD16xL	16	1200	1220	1500	1800	2400	2440	2500	3000	0.254	1.59
JCRD34xL	17.2	1200	1220	1500	1800	2400	2440	2500	3000	0.254	1.83
JCRD18xL	18	1200	1220	1500	1800	2400	2440	2500	3000	0.254	2.01
JCRD20xL	20	1200	1220	1500	1800	2400	2440	2500	3000	0.254	2.48
JCRD22xL	22	1200	1220	1500	1800	2400	2440	2500	3000	0.254	3.00
JCRD25xL	25	1200	1220	1500	1800	2400	2440	2500	3000	0.254	3.87
JCRD30xL	30	1200	1220	1500	1800	2400	2440	2500	3000	0.254	5.57
JCRD32xL	32	1200	1220	1500	1800	2400	2440	2500	3000	0.254	6.34



## **Earth rod /Copper Bonded Ground rod**



### **Specification and characteristics:**

99.95% pure copper and Q235 low carbon steel  
copper layer  $\geq 0.254$ microns

tensile strength  $\geq 570$ N/mm<sup>2</sup>

capable of being bent 180 degrees without cracks

usage life more than 50 years

Normal threads: 1/2", 5/8", M16, 3/4", M20, M22 and M27.

Normal copper layer: 0.025mm(25microns), 0.05mm, 0.1mm, 0.125mm, 0.15mm, 0.2mm, 0.254mm(254microns) and 0.33mm.

Normal shape: two ends threaded,one end flat or e end tipped.One end threaded one end tipped and sc on .