



15KV 600A Single Phase Disconnecting Standard Type Porcelain Isolate Switch

Model:GW9-15/600

An electrical device for the reliable disconnection of certain sections of a high-voltage electrical network when there is no current in them. The use of isolating switches (either alone or in combination with high-speed

short-circuiting devices) makes it possible to simplify the arrangement of switching points and transformer substations and to eliminate expensive high-voltage circuit breakers.

Send Inquiry

Product Introduction

This product is a single phase of the three-phase line phase, with simple structure, economical and convenient to use.

Use environmental conditions

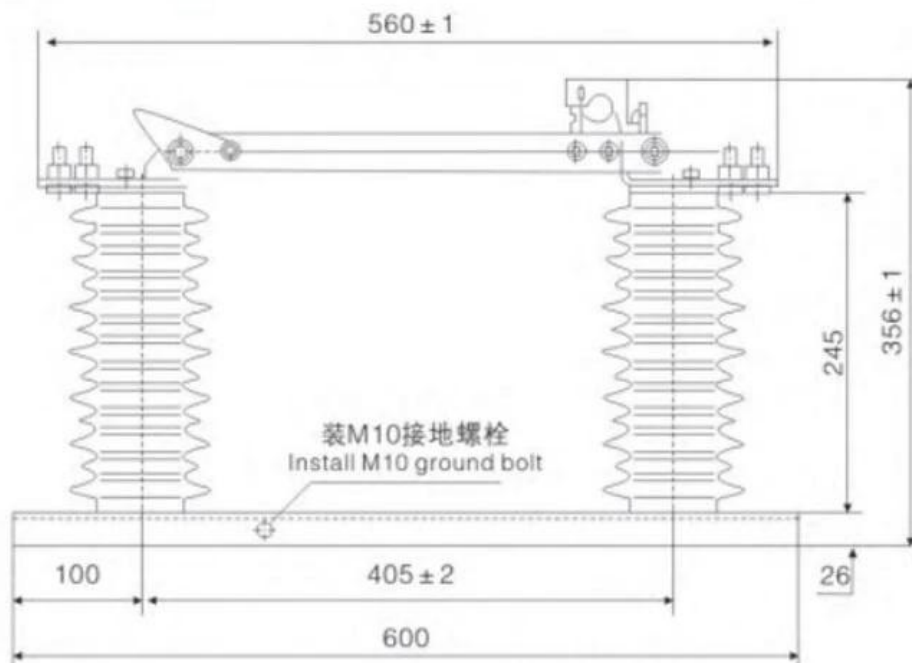
1. Altitude: no more than 3000 m
2. The environment temperature: + 50 Degrees Celsius~-50Degrees Celsius
3. no more than 35m/s
4. Cladding ice thickness is no more than 10 mm
5. Use of foul level: III, IV class
- 6.Sunlight intensity:1000W/m²

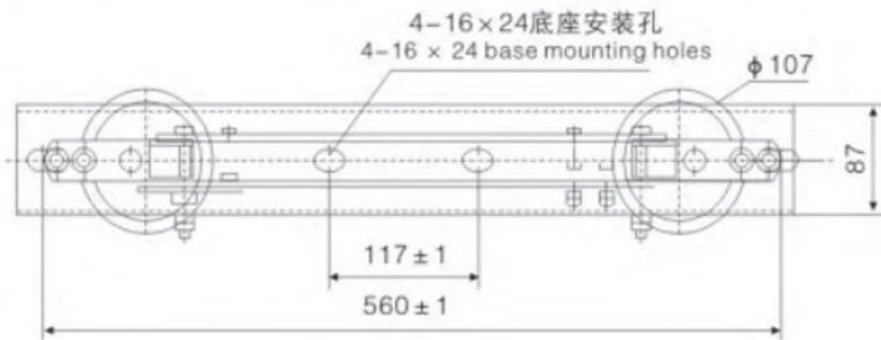
Product parameters

item		Unit	parameter		
Rated voltage		kV	10	15	24
Rated working voltage		kV	12	17.5	
Rated insulation level	1min frequency withstand voltage (RMS)	kV	To ground42	To ground55	To ground65
		kV	Fracture48	fracture65	Fracture79
	Lightning impulse withstand voltage (peak)	kv	To ground75	To ground105	To ground125
			Fracture85	Fracture120	Fracture145

Rated frequency	Hz	50					
Rated current	A	200	400	600	1250	400	630
4s rated short-time withstand current	kA	6.3	12.5	20	31.5	16	20
rated peak withstand current	kA	16	31.5	50	80	40	50
Creepage distance	mm	300		380			
Mechanical life	times	2000		2000		2000	

Overall dimension





注：瓷支柱外绝缘爬电距离600mm。
Note: The creepage distance of the outer insulation of the porcelain pillar is 600mm.

Product details





