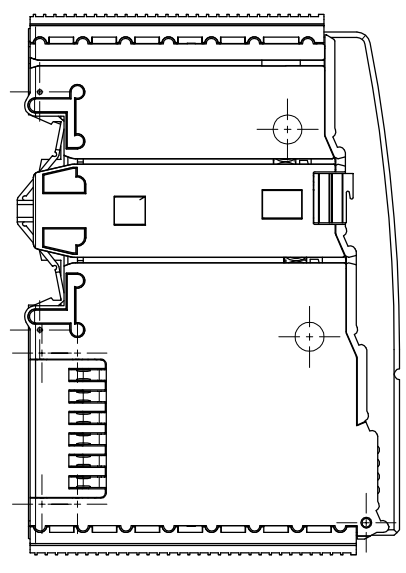
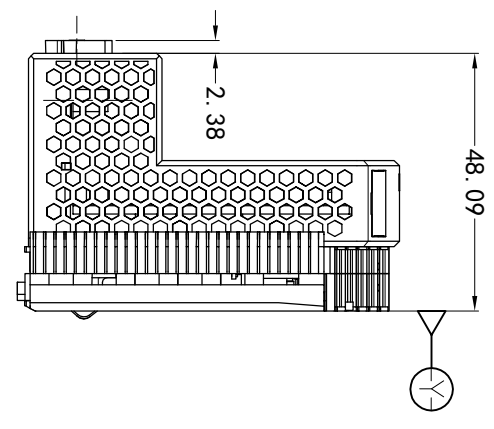
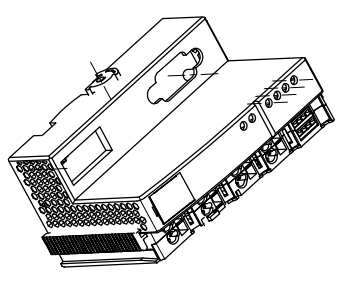
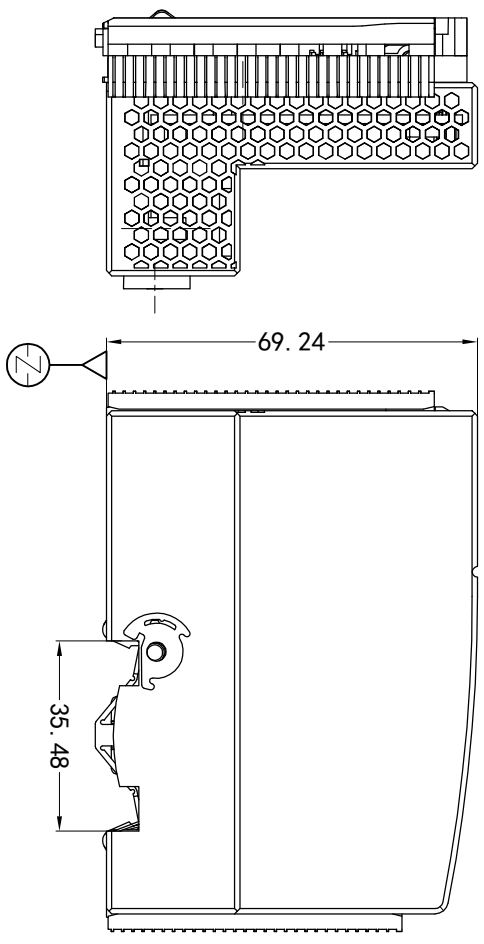
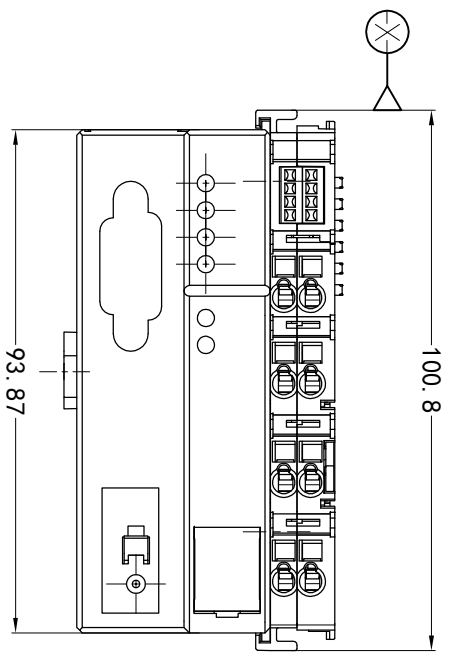


REV	CONTENT	CHK	DATE
V0.0	CONTENT	MYZ	22.10.12



Total Pitch Tolerances		Nominal dimension range	
mm	mm	mm	mm
0	0	0	0
30	30	30	30
53	53	53	53
70	70	70	70
90	90	90	90
115	115	115	115
150	150	150	150
250	250	250	250
350	350	350	350
500	500	500	500
30	30	30	30
53	53	53	53
70	70	70	70
90	90	90	90
115	115	115	115
150	150	150	150
200	200	200	200
250	250	250	250
320	320	320	320
10	10	10	10
10	10	10	10
all	all	all	all
0	0	0	0
100	100	100	100
150	150	150	150

ITEM	NAME OF PART	Q'TY	MATERIAL
DWG.	CXL	DATE	22.10.12
CHK.		DATE	
APP.		DATE	
		SCALE	1:1
宁波三安电子科技有限公司 Sanan Electrical Technology Co. Ltd		NAME	SA-001-1B
		DWGNO.	XXXXX