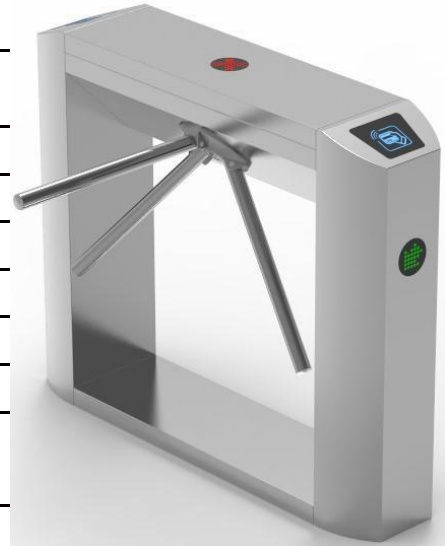
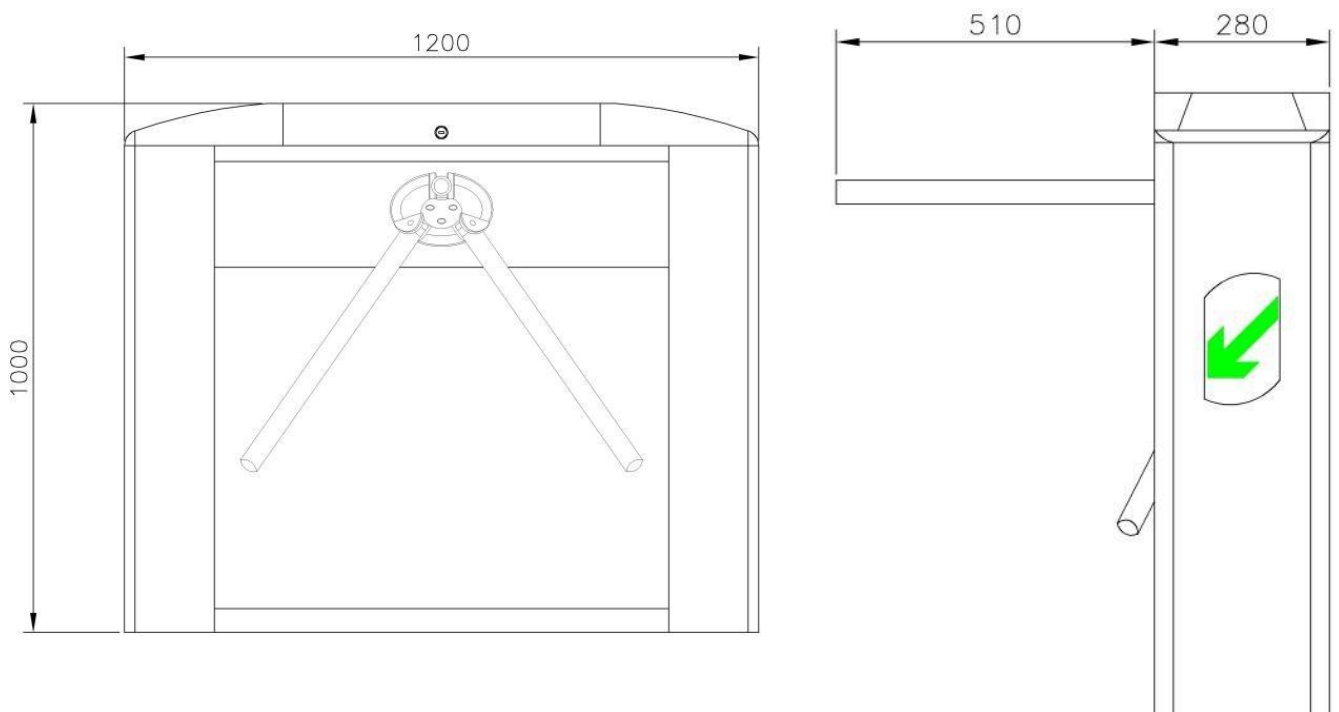


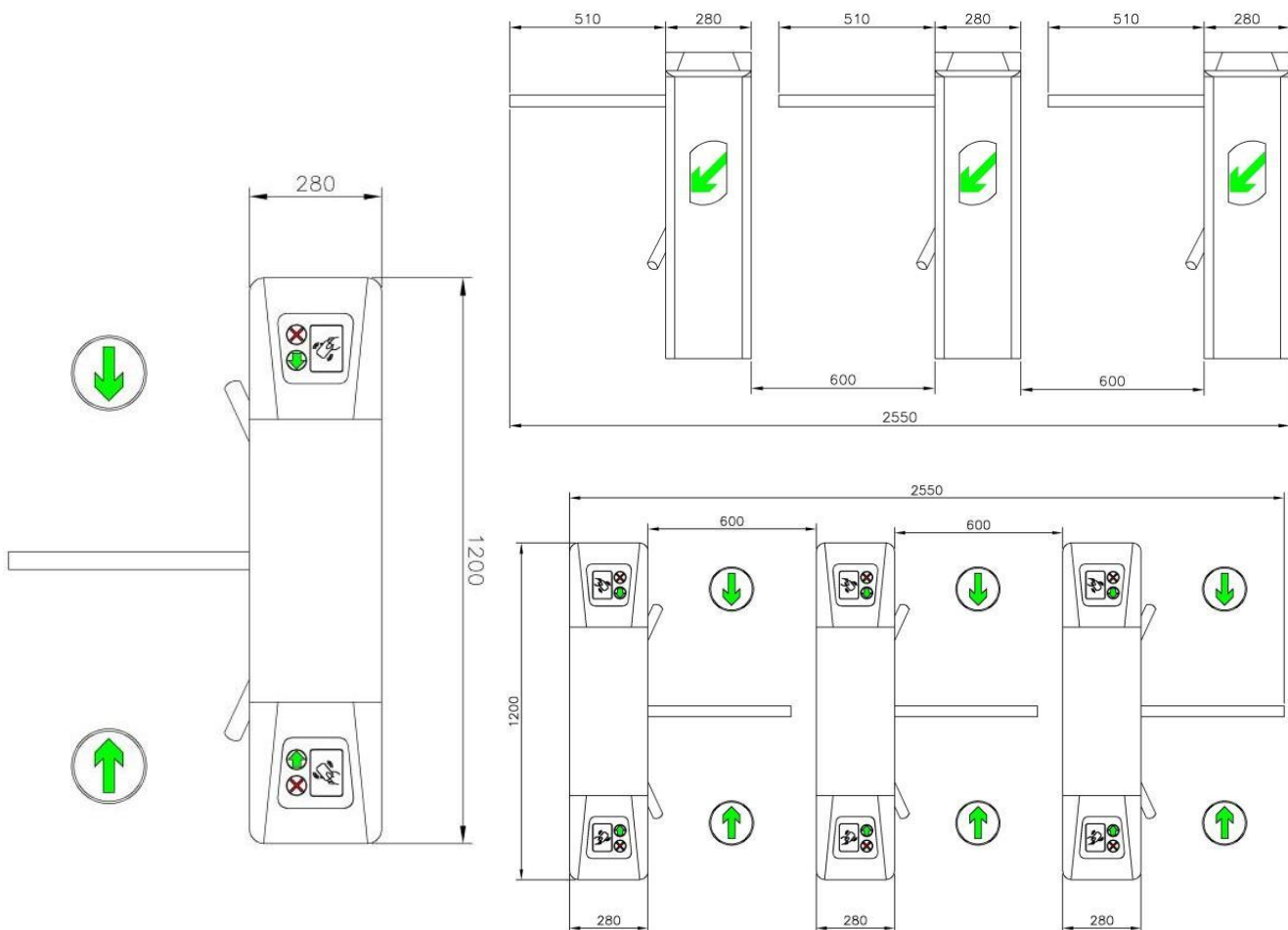
Standard model	ZOJE-S406
Turnstile type	Tripod turnstile
Cabinet material	304 stainless steel
Arm material	304 stainless steel
Finish	Stainless steel satin finish
Dimension	1200*280*1000mm (L*W*H)
Passage width	≤550mm
Direction	Single / bidirectional
Function	Fail safe
Power supply	AC110–220V, 50/60Hz
Working environment	Indoor & outdoor
LED indicator	Yes
Drive type	Solenoid (semi-automatic)



● Standard



- Warranty: One year for electric parts, two years for mechanical parts.



Material	316 stainless steel (Galvanization/Powder coated)
Dimension	Customized
Drive type	Brush/Brushless/Servo motor (auto)
Access controller	Can be integrated with your exist access controller/system,
IC card reader	Yes
IC card register	Yes
IC card	Yes
QR code scanner	Yes
Biometric verification	Fingerprint Face recognition

All ZOJE turnstile gates can easily be integrated with virtually any access control system.

All ZOJE turnstile gates are built with self-designed mechanical structure for stable and long-time operation.

● Optional



Welcome to customize and OEM

www.zoje-tech.com