



TPS7A6650QDGNRQ1 Texas Instruments

As a professional China TPS7A6650QDGNRQ1 Texas Instruments supplier, you can rest assured to buy TPS7A6650QDGNRQ1 Texas Instruments from our factory. TPS7A6650QDGNRQ1 Texas Instruments is a fixed voltage regulator designed by Texas Instruments (TI), one of the world's largest manufacturers, to operate circuits with input voltages up to 40V. With a quiescent current of only 12 μ A, it is ideal for standby microprocessor control unit systems, especially for automotive low-power devices. Only do original international brands, trustworthy. You are welcomed to come to XT-ShenZhen® to buy the latest

selling, low price, and high-quality products. We look forward to cooperating with you.

TPS7A6650QDGNRQ1 Texas Instruments is a fixed voltage regulator designed by Texas Instruments (TI), one of the world's largest manufacturers, to operate circuits with input voltages up to 40V. With a quiescent current of only 12 μ A, it is ideal for standby microprocessor control unit systems, especially for automotive low-power devices. Only do original international brands, trustworthy. For more electronic components, please contact us!!! Welcome new and old customers to continue to cooperate with XT-ShenZhen® to create a better future together!

Product description

The TPS7A6650QDGNRQ1 Texas Instruments is a low dropout linear regulator designed for operation circuits with input voltages up to 40V. The quiescent current of these devices at no load is only 12 μ A, making them ideal for standby microprocessor control unit system.

The TPS7A6650QDGNRQ1 Texas Instruments performs a reset delay at power-up to indicate that the output voltage is stable and regulated. The user can set this delay using an external capacitor. The low-voltage tracking feature allows the use of smaller input capacitors and the possibility of eliminating the need for a boost converter under cold crank conditions.

The TPS7A6650QDGNRQ1 operates over a temperature range of -40°C to 125°C. Complies with AEC-Q100 and operates over the -40°C to 150°C temperature range. These features are ideal for the need for high efficiency, high power density, and robustness in power supplies in a variety of automotive applications.

Product features

- Low input voltage tracking
- Integrated power-on-reset:
 - Programmable reset pulse delay

Shenzhen Zhen Rong Era Supply Chain Management Co., Ltd.

Tel: +86-755-83240078

E-mail: jack-sellandbuycomponents@xt-shenzhen.cn

Phone: +86-13927462033

- Open drain reset output
- Integrated fail-safe:
 - Thermal shutdown
 - Short circuit protection function
- Input voltage detection comparator (TPS7A69-Q1 only).
- Encapsulation:
 - 8-pinSOIC-D (TPS7A69-Q1).
 - 8-pin HVSSOP-DGN (TPS7A6601-Q1).
- Infotainment system with sleep mode
- Body control module
- Normally open battery Standard:
 - Gateway app
 - Remote keyless entry system
 - Engine anti-theft system

Product parameters

Technical parameters	Output voltage	5V
	Output current	150mA
	Supply current	20 μ A
	The number of pins	8
	Drop voltage	300mV
	Input Voltage (Max)	40V
	Input Voltage (Min)	5.5V
	Packaging	Tape & Reel (TR)
	precision	$\pm 1\%$
	Package size (nominal)	3.00mm*3.00mm

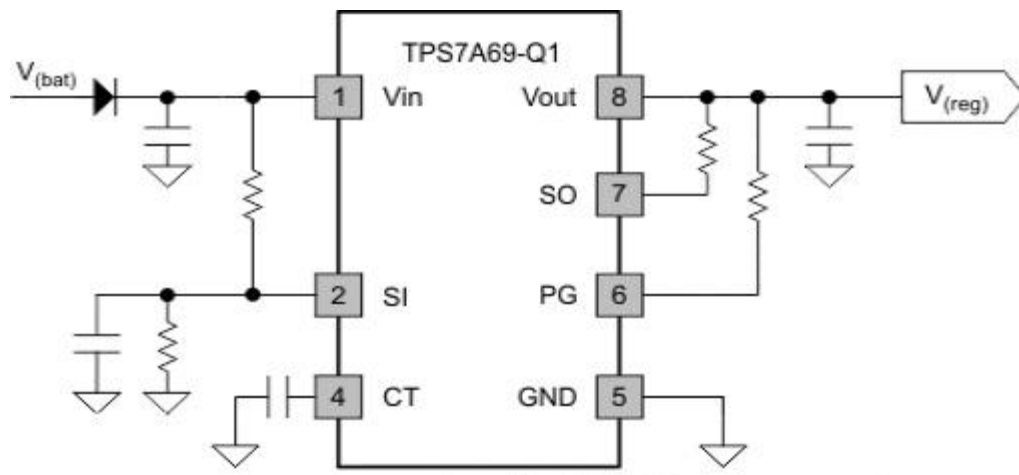
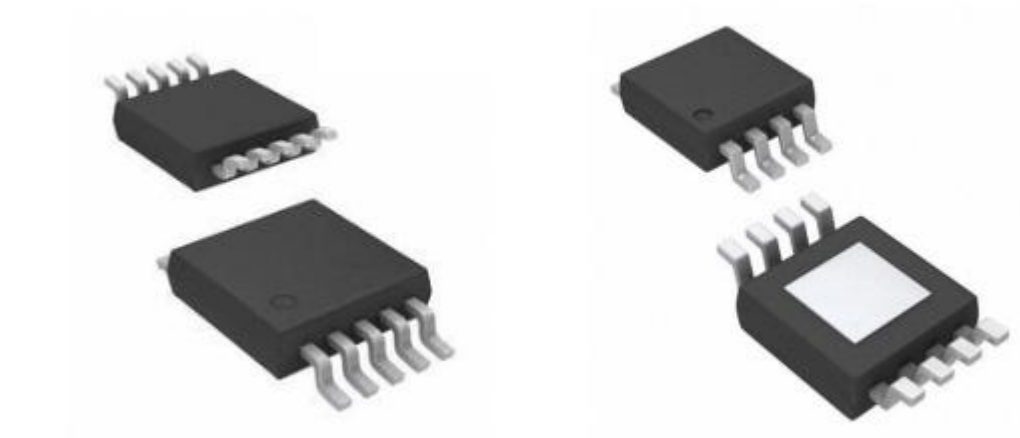
Product images

Shenzhen Zhen Rong Era Supply Chain Management Co., Ltd.

Tel:[+86-755-83240078](tel:+86-755-83240078)

E-mail:jack-sellandbuycomponents@xt-shenzhen.cn

Phone:[+86-13927462033](tel:+86-13927462033)



FAQ

Q: How do you pack your goods?

A: Each of our shipments is vacuumed and padded wrapped. Make sure there is no damage in transit.

Q: Are your products genuine?

A: Yes, TPS7A6650QDGNRQ1 Texas Instruments produced by our company are produced by the original factory, and the original authentic products are guaranteed.

Q: Are your shipments fast?

A: Yes, we have our own warehouse and most of the goods are in stock. Same-day delivery as soon as possible.

Shenzhen Zhen Rong Era Supply Chain Management Co., Ltd.

Tel: +86-755-83240078

E-mail: jack-sellandbuycomponents@xt-shenzhen.cn

Phone: +86-13927462033