

### **TPS23753APW Texas Instruments**

High quality TPS23753APW Texas Instruments is offered by China supplier called XT-ShenZhen. TPS23753APW Texas Instruments is a Power over Ethernet (PoE) power supply (PD) interface designed by Texas Instruments (TI) in the United States that combines a Power over Ethernet (PD) interface with a current-mode DC/DC controller optimized for non-isolated converter designs. It can be widely used to power a wide range of loads on standard CAT5 Ethernet cables. Please contact us for more shortage electronic components!!!

Welcome new and old customers to continue to cooperate with XT-ShenZhen® to create a better future together! Every request from customers is

being replied within 24 hours.

TPS23753APW Texas Instruments is a Power over Ethernet (PoE) power supply (PD) interface designed by Texas Instruments (TI) in the United States that combines a Power over Ethernet (PD) interface with a current-mode DC/DC controller optimized for non-isolated converter designs. It can be widely used to power a wide range of loads on standard CAT5 Ethernet cables. Please contact us for more shortage electronic components!!! You can rest assured to buy product from XT-ShenZhen®. We look forward to cooperating with you, if you want to know more, you can consult us now, we will reply to you in time!

### **Product description**

The TPS23753APW Texas Instruments supports multiple input voltage ORing options, including maximum voltage, external adapter reference, and PoE preferences. The PoE interface has an external sense feature pin that can also be used to disable internal hot-swap MOSFETs. This turns off the PoE feature. Use a single resistor to set the classification to any of the defined categories. The DC/DC controller employs a bootstrap start-up mechanism with an internal switching current source. This provides the advantage of cyclic overload fault protection without incurring constant power losses of pull-up resistors. A programmable oscillator can be synchronized with a higher frequency external timing reference. TPS23753APW has been improved to be available in the event of ESD events enable uninterrupted device operation.

### **Product features**

**Shenzhen Zhen Rong Era Supply Chain Management Co., Ltd.**

**Tel:**+86-755-83240078

**E-mail:**[jack-sellandbuycomponents@xt-shenzhen.cn](mailto:jack-sellandbuycomponents@xt-shenzhen.cn)

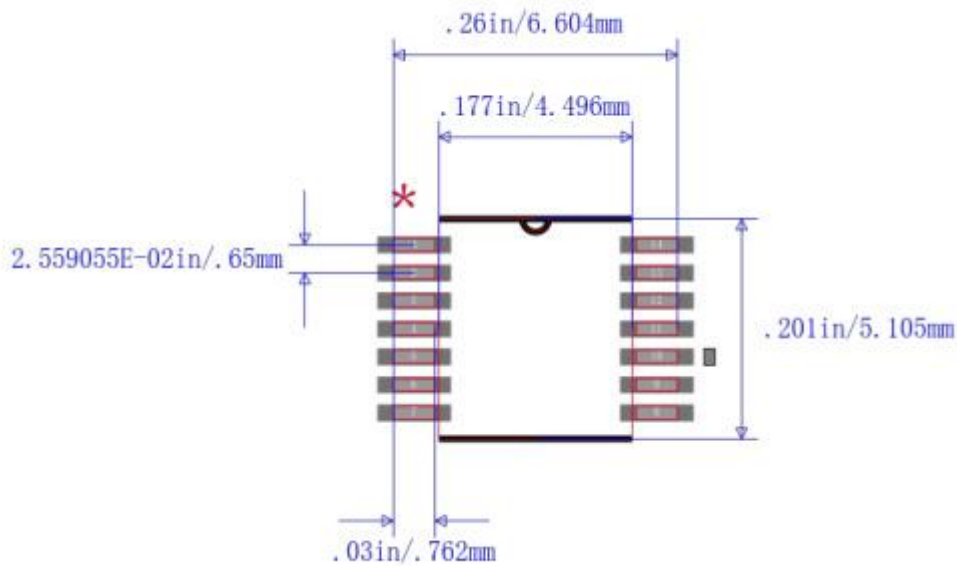
**Phone:**+86-13927462033

- Enhanced ESD traversal
- Optimized for isolated converters
- Complete PoE interface
- Adapter ORing support
- 12V adapter support
- Programmable frequency with synchronization function
- Reliable 100V, 0.7Ω hot-swappable MOSFETs
- Small 14-pin TSSOP package
- 15kV and 8kV system-level ESD capabilities
- Junction temperature range of -40°C to 125°C

## Product parameters

Technical parameters	frequency	248kHz
	Packaging	Tube
	Supply current	580μA
	The number of pins	14
	Output power	13W
	Input voltage (Max).	57.0V
	Input voltage (Min).	0V
	Operating temperature (Max).	125°C
	Operating temperature (Min).	-40V
	encapsulation	TSSOP-14

## Product images



## FAQ

**Q: How do you pack your goods?**

A: Each of our shipments is vacuumed and padded wrapped. Make sure there is no damage in transit.

**Q: Are your products genuine?**

A: Yes, TPS23753APW Texas Instruments produced by our company are produced by the original factory, and the original authentic products are guaranteed.

**Q: Are your shipments fast?**

A: Yes, we have our own warehouse and most of the goods are in stock. Same-day delivery as soon as possible.

**Shenzhen Zhen Rong Era Supply Chain Management Co., Ltd.**

Tel: +86-755-83240078

E-mail: [jack-sellandbuycomponents@xt-shenzhen.cn](mailto:jack-sellandbuycomponents@xt-shenzhen.cn)

Phone: +86-13927462033

