



Vinyl-Insulated Funnel Entry Pin Terminals for 22-16AWG

High quality Vinyl-Insulated Funnel Entry Pin Terminals for 22-16AWG is offered by China manufacturers JZY. Pin terminals, also referred to as pin terminal connectors, offer quick and easy connections in applications where set screws or clamps are used to make electrical contact with the wire. A pin terminal is designed to simplify the insertion of stranded wire into terminal blocks and other components. Additionally, each Vinyl-Insulated Funnel Entry Pin Terminals for 22-16AWG prevents wire strand foldback, assuring a proper electrical contact and a stronger connection than just wire alone.

Product Description

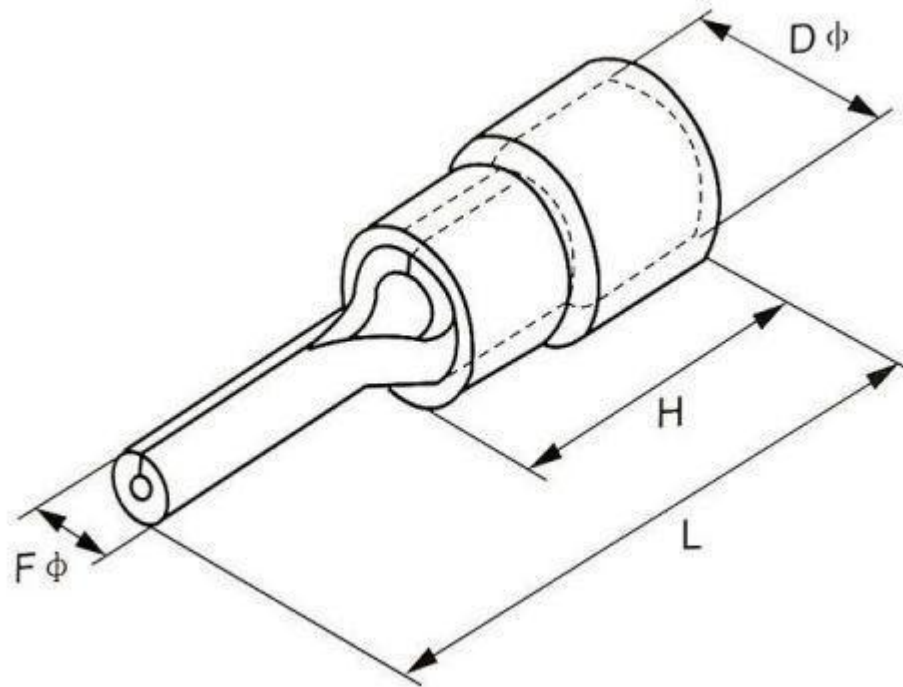
As the professional manufacturers, JZY would like to provide you Vinyl-Insulated Funnel Entry Pin Terminals for 22-16AWG. And we will offer you the best after-sale service and timely delivery. Vinyl-Insulated Funnel Entry Pin Terminals for 22-16AWG is securely fastened to barrel.

Funnel entry is formed into inside of insulation to allow for easier wire insertion.

Industry standard color-coding indicates wire range.

Vinyl-Insulated Funnel Entry Pin Terminals for 22-16AWG Parameter (Specification)





ITEM NO.	DIMENSIONS(mm)				PCS /PACK	COLOR	WIRE SPECIFICATION MAX CURRENT
	Fφ	L	Dφ	H			
PTV1.25-10	1.9	19	4.3	10.0	1000	RED	0.5~1.5mm ² 22-16 A.W.G
PTV1.25-13	1.9	23			1000		
PTV1.25-18	1.9	28			1000		

Vinyl-Insulated Funnel Entry Pin Terminals for 22-16AWG Feature And Application

Vinyl-Insulated Funnel Entry Pin Terminals for 22-16AWG are commonly used in automotive and marine vehicles, but can also be used in other various electrical applications.

Vinyl-Insulated Funnel Entry Pin Terminals for 22-16AWG Details



Deliver,Shipping And Serving

1. Your inquiry will be replied within 24 hours.
 2. We offer you professional service in fluent English.
 3. Keep the mass production as the sample in high quality
 4. Freight forwarder: faster, safer, and convenient.
 5. Quality: we have QC on each process,provide high quality products.
- Any problem or needed please feel free let us know, we are glad to service for you
We are factory, we can provide competitive price. And all the products will be shipped after quality inspection. Usually we quote within 24 hours after we get your inquiry.

PACKAGING & SHIPPING





WENZHOU JINZHIYUAN ELECTRICAL CO.,LTD.
Welcome to contact us,we will do our best to help you

CHENGHE CHEN
Tel:+86-15088900618
E-mail:chenchenghe@jzyterminal.com
Web:www.jzyterminal.com

Building F, Yueshang Pioneer Park, Wengyang Town, Yueqing City,
Zhejiang Province

FAQ

Q1: Are you a trading company or factory?

A1:We are factory with more than 20 years experience in this field.

Q2: how about the quality control in your factory?

A2: all products will be 100% inspected before shipment.

Q3: When can I get the price?

A3: Usually we will quote within 24 hours after receiving your inquiry.

Q4: What is the acceptable payment term?

A4: Credit Card, West Union, Paypal or T/T.

Q5: How could I get a sample?

A5: if you can't buy our product in your local area, we can send a sample to you. Sample will be charged by retail price, and plus all related shipping costs. Express delivery charge depends on the quantity of the samples.