



Vinyl-Insulated Funnel Entry Pin Terminals for 16-14AWG

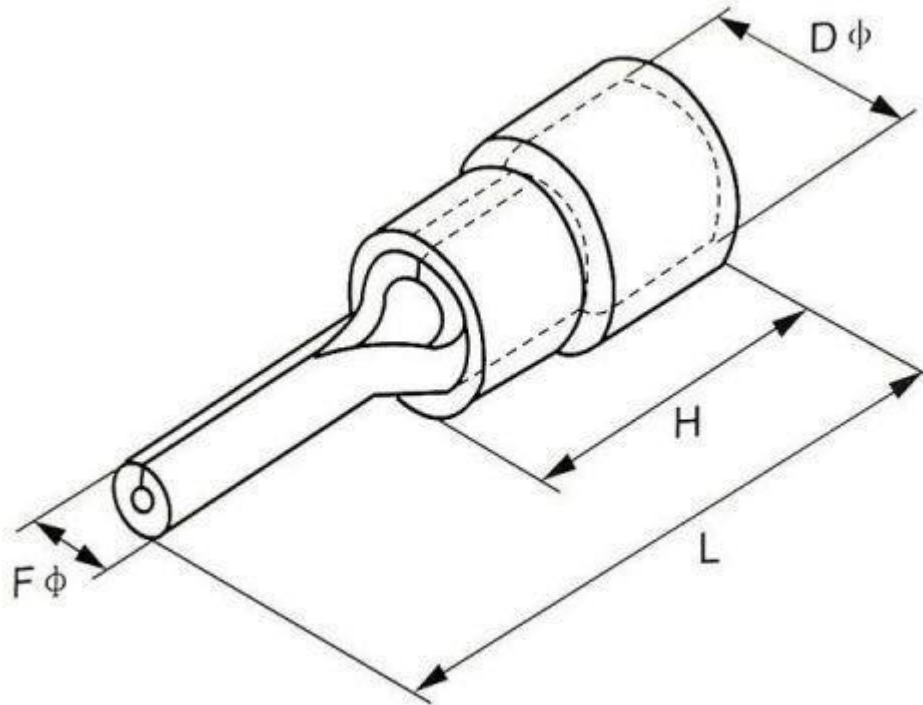
Welcome to JZY to buy Vinyl-Insulated Funnel Entry Pin Terminals for 16-14AWG. Vinyl-Insulated Funnel Entry Pin Terminals for 22-16AWG are made of copper. A crimp ferrule is typically plated with tin and the size of a ferrule – both its diameter and length – is determined by a specific wire gauge. An electrical ferrule has a flare on one end; this flare collects and bundles individual wire strands as these are placed into the ferrule. The flare is typically covered with a conical plastic cable entry sleeve, which means the flare is not immediately apparent when looking at the ferrule. This plastic sleeve provides a transition between the wire insulation and the ferrule. The plastic sleeve stays intact around the insulation, and unlike a traditional crimp connection, it is not pressed during installation. Most ferrules are color-coded for wire size.

Product Description

JZY is a professional leader China Vinyl-Insulated Funnel Entry Pin Terminals for 16-14AWG manufacturers with high quality and reasonable price. A crimp terminal pin, also called a wire pin connector, is crimped on the insulation. The pin area with Vinyl-Insulated Funnel Entry Pin Terminals for 22-16AWG often has a smaller diameter than the wire. Crimp pins and tabs have the same function as the ferrule, except the wire is crimped in a wire barrel instead of the ferrule tube. The wire barrel and insulation serve the same function as any other terminal.

Vinyl-Insulated Funnel Entry Pin Terminals for 16-14AWG Parameter (Specification)





ITEM NO.	DIMENSIONS(mm)				PCS /PACK	COLOR	WIRE SPECIFIC MAX CURR
	Fφ	L	Dφ	H			
PTV2-10	1.9	20	4.9	10.2	1000	BLUE	1.5~2.5mm 16-14 A.V
PTV2-13	1.9	23			1000		
PTV2-18	1.9	28			1000		

Vinyl-Insulated Funnel Entry Pin Terminals for 16-14AWG Feature And Application

Vinyl-Insulated Funnel Entry Pin Terminals for 22-16AWG Unlike uncrimped wire, an electrical crimp ferrule offers a crimped connection. It is engineered to improve wire resistance to oxidation, which helps increase a connection's longevity and overall reliability. Wire ferrules are often installed with screw type terminal blocks and used most commonly in automotive and industrial technologies.

Vinyl-Insulated Funnel Entry Pin Terminals for 16-14AWG Details



Deliver,Shipping And Serving

1. Your inquiry will be replied within 24 hours.
 2. We offer you professional service in fluent English.
 3. Keep the mass production as the sample in high quality
 4. Freight forwarder: faster, safer, and convenient.
 5. Quality: we have QC on each process,provide high quality products.
- Any problem or needed please feel free let us know, we are glad to service for you
We are factory, we can provide competitive price. And all the products will be shipped after quality inspection. Usually we quote within 24 hours after we get your inquiry.

PACKAGING & SHIPPING





WENZHOU JINZHIYUAN ELECTRICAL CO.,LTD.
Welcome to contact us,we will do our best to help you

CHENGHE CHEN
Tel:+86-15088900618
E-mail:chenchenghe@jzyterminal.com
Web:www.jzyterminal.com

Building F, Yueshang Pioneer Park, Wengyang Town, Yueqing City,
Zhejiang Province

FAQ

Q1: Are you a trading company or factory?

A1:We are factory with more than 20 years experience in this field.

Q2: how about the quality control in your factory?

A2: all products will be 100% inspected before shipment.

Q3: When can I get the price?

A3: Usually we will quote within 24 hours after receiving your inquiry.

Q4: What is the acceptable payment term?

A4: Credit Card, West Union, Paypal or T/T.

Q5: How could I get a sample?

A5: if you can't buy our product in your local area, we can send a sample to you. Sample will be charged by retail price, and plus all related shipping costs. Express delivery charge depends on the quantity of the samples.