



Vinyl-Insulated Blade Terminals for 12-10AWG Wire

The funnel shaped PVC sleeve from China JZY for these Vinyl-Insulated Blade Terminals for 12-10AWG Wire guarantees the conductor strands are completely inserted into the terminal barrel of the cable crimp lug, which creates a secure and reliable, electrical and mechanical connection. The internal surface of the barrel is rifled so to improve contact with the conductor strands of the cables when crimped and to increase tensile strength.

Product Description

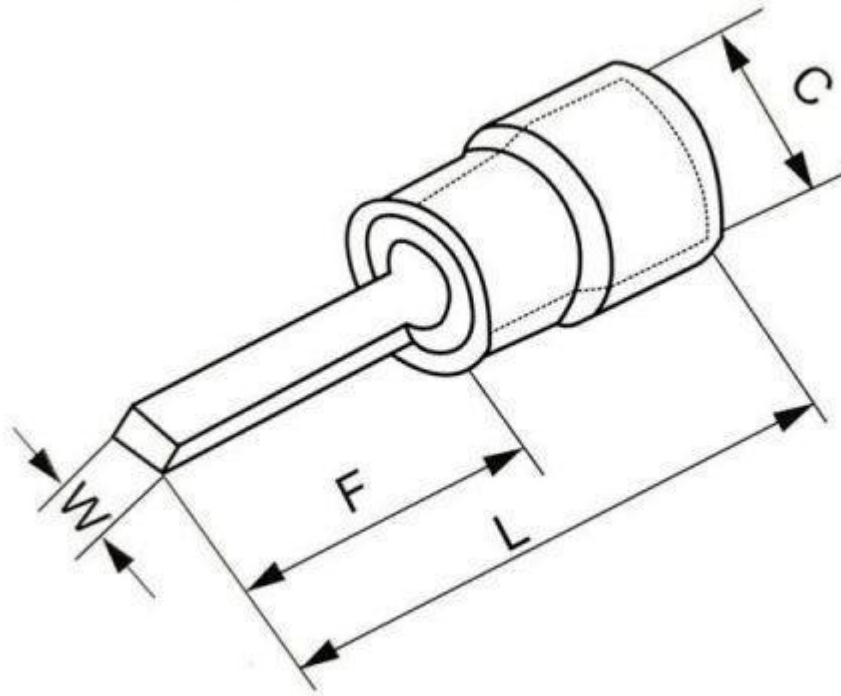
Find a huge selection of Vinyl-Insulated Blade Terminals for 12-10AWG Wire from China at JZY

Blade Terminals feature a standard style tongue and are built to ensure secure connectivity.

- Flat blade design to prevent damage to the wire from over tightening, resulting in a reliable electrical connection.
- For use with blade-type terminal blocks.
- Insulation support helps to prevent wire damage in bending applications.
- Brazed seam protects terminal barrel from splitting during the crimping process.

Vinyl-Insulated Blade Terminals for 12-10AWG Wire Parameter (Specification)





ITEM NO.	DIMENSIONS(mm)				PCS /PACK	WIRE SPECIFICATION MAX CURRENT
	W	L	F	C		
DBV5.5-10	2.8	22.5	10	5.6	500	4~6mm ² 12-10 A.W.G

Vinyl-Insulated Blade Terminals for 12-10AWG Wire Feature And Application

Vinyl-Insulated Blade Terminals for 12-10AWG, either insulated or non insulated, is a type of single wire connection using a flat conductive blade which is inserted into a blade receptacle. These terminals are designed to match interconnect requirements for components such as timers, motors, valves, relays, mechanical switches and wire to wire harnesses.

Vinyl-Insulated Blade Terminals for 12-10AWG Wire Details



Vinyl-Insulated Blade Terminals for 12-10AWG Wire Qualification

Blade Terminals for 12 AWG - 10 AWG wire: CE, ISO9001

Realize zero defect of products and wholeheartedly provide customers with high-quality

products with stable quality, reliable performance and high added value.



6. Deliver, Shipping And Serving

1. Your inquiry will be replied within 24 hours.
2. We offer you professional service in fluent English.
3. Keep the mass production as the sample in high quality
4. Freight forwarder: faster, safer, and convenient.
5. Quality: we have QC on each process, provide high quality products.

Any problem or needed please feel free let us know, we are glad to service for you
 We are factory, we can provide competitive price. And all the products will be shipped after quality inspection. Usually we quote within 24 hours after we get your inquiry.

Zhejiang Centro Flow Control Co., Ltd.

Tel: +86-15088900618

E-mail: chenchenghe@jzyterminal.com