



PVC Insulated Spade Terminals for 16-14AWG

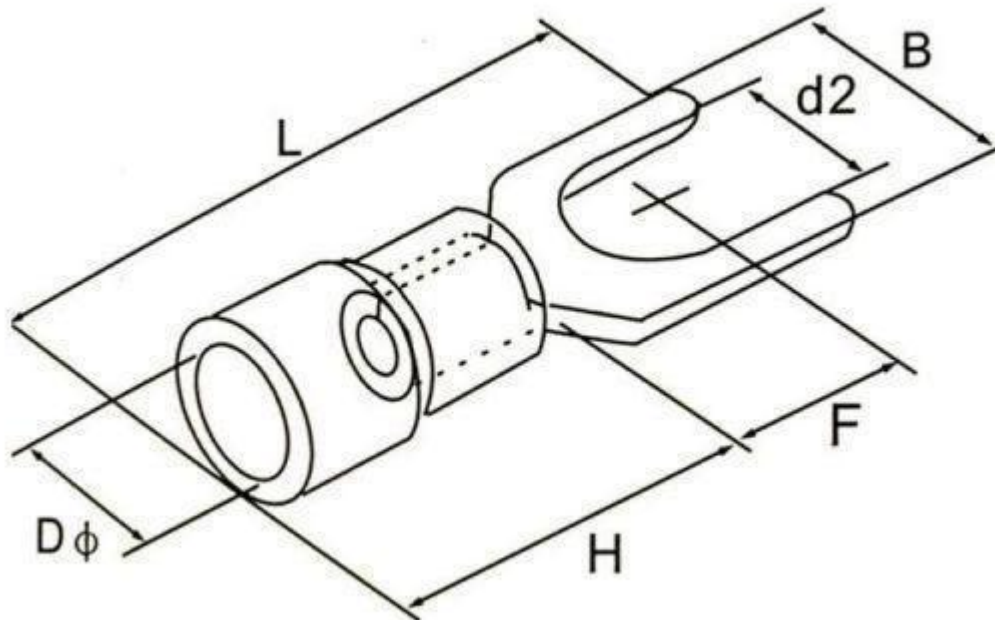
Find a huge selection of PVC Insulated Spade Terminals for 16-14AWG from China at JZY. Vinyl-insulated spade terminals for 16AWG-14 AWG are connectors that are used to mate, connect, or terminate a single wire. The vinyl material is an economic insulation that surrounds the spade terminal and seals the terminal and wire connection. Vinyl-insulated spade terminals are great for marine vehicles, and other applications that utilize wire to transfer electrical current.

Product Description

JZY is China manufacturers & suppliers who mainly produces PVC Insulated Spade Terminals for 16-14AWG with many years of experience. Vinyl-insulated spade terminals for 16AWG-14 AWG lock in place for tight and secure connection in cramped spaces. They allow the end user to quickly and easily terminate a connection without the need to remove the fastener. Internal barrel serrations assure good wire contact and maximum tensile strength.

PVC Insulated Spade Terminals for 16-14AWG Parameter (Specification)





ITEM NO.	Thickness	DIMENSIONS(mm)					PCS /PACK	WIRE SPECIFICATION MAX CURRENT
		Bolt mouth diameter	B	L	DΦ	H		
SV2-3	0.8	3.2	5.7	21.2	4.9	10	1.5~2.5mm ² 16-14 A.W.G	
SV2-4S	0.8	4.3	6.4	21.2				
SV2-5	0.8	5.3	8.1	21.2				
SV2-6	0.8	6.5	9.5	21.2				

PVC Insulated Spade Terminals for 16-14AWG Feature And Application

- This Vinyl-insulated spade terminals for 16AWG-14 AWG head and tail joints welded seams tin,the hole system,a thread-line. in order to enhance the tensile strength.
- Max.current=27A
- Wire rating: 1.5~2.5mm

Vinyl-insulated Spade terminals are commonly used in automotive and marine vehicles, but can also be used in other various electrical applications.

PVC Insulated Spade Terminals for 16-14AWG Details

Zhejiang Centro Flow Control Co., Ltd.

Tel:+86-15088900618

E-mail:chenchenghe@jzyterminal.com



Deliver,Shipping And Serving

1. Your inquiry will be replied within 24 hours.
 2. We offer you professional service in fluent English.
 3. Keep the mass production as the sample in high quality
 4. Freight forwarder: faster, safer, and convenient.
 5. Quality: we have QC on each process,provide high quality products.
- Any problem or needed please feel free let us know, we are glad to service for you
We are factory, we can provide competitive price. And all the products will be shipped after quality inspection. Usually we quote within 24 hours after we get your inquiry.

PACKAGING & SHIPPING





**24 HOURS
ONLINE SERVICE
PLATFORM**

WENZHOU JINZHIYUAN ELECTRICAL CO.,LTD.
Welcome to contact us,we will do our best to help you

-  **CHENGHE CHEN**
-  Tel:+86-15088900618
-  E-mail:chenchenghe@jzyterminal.com
-  Web:www.jzyterminal.com

Building F, Yueshang Pioneer Park, Wengyang Town, Yueqing City,
Zhejiang Province