



PVC Insulated Spade Terminals for 14-12AWG

JZY is a leading China PVC Insulated Spade Terminals for 14-12AWG manufacturers. Vinyl-insulated spade terminals for 14-12 AWG, brazed-seam barrel ensures a secure fit and offers reliable performance.

Funnel-designed, polyvinyl chloride sleeve offers easy insertion of wires.

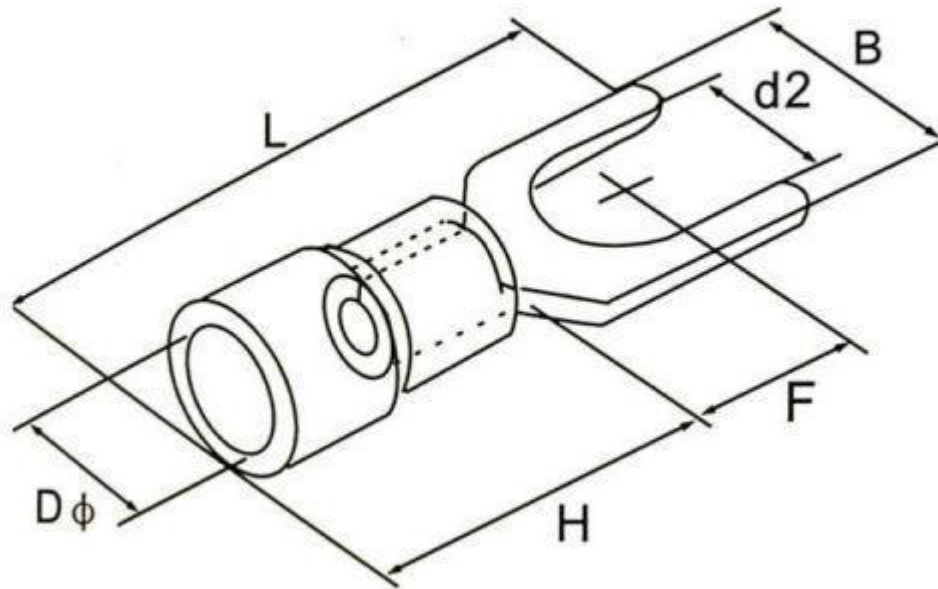
Suitable for use in a terminal block.

Product Description

JZY is China manufacturers & suppliers who mainly produces PVC Insulated Spade Terminals for 14-12AWG with many years of experience. Hope to build business relationship with you. An electrical crimp is a solderless electrical connection. Vinyl-insulated spade terminals for 14-12 AWG are used to connect wiring to screws and studs.

PVC Insulated Spade Terminals for 14-12AWG Parameter (Specification)





ITEM NO.	Thickness	DIMENSIONS(mm)					PCS /PACK	WIRE SPECIFICATION MAX CURRENT
		Bolt mouth diameter	B	L	DΦ	H		
SV3.5-4	1.0	4.3	8.0	24.8	6.2	12.5	500	2.5~4mm ² 14-12 A.W.G
SV3.5-5S	1.0	5.3	8.0	24.8			500	
SV3.5-6	1.0	6.5	12	28			500	

PVC Insulated Spade Terminals for 14-12AWG Feature And Application

These Vinyl-insulated spade terminals for 14-12 AWG are used in a wide range of industries for connecting wires to electrical components. Applications include wiring in industrial control systems and industrial machines, automotive applications, communication equipment, power supplies and domestic appliances.

PVC Insulated Spade Terminals for 14-12AWG Details



Deliver,Shipping And Serving

1. Your inquiry will be replied within 24 hours.
 2. We offer you professional service in fluent English.
 3. Keep the mass production as the sample in high quality
 4. Freight forwarder: faster, safer, and convenient.
 5. Quality: we have QC on each process,provide high quality products.
- Any problem or needed please feel free let us know, we are glad to service for you
We are factory, we can provide competitive price. And all the products will be shipped after quality inspection. Usually we quote within 24 hours after we get your inquiry.

PACKAGING & SHIPPING





**24 HOURS
ONLINE SERVICE
PLATFORM**

WENZHOU JINZHIYUAN ELECTRICAL CO.,LTD.
Welcome to contact us,we will do our best to help you

-  **CHENGHE CHEN**
-  Tel:+86-15088900618
-  E-mail:chenchenghe@jzyterminal.com
-  Web:www.jzyterminal.com

Building F, Yueshang Pioneer Park, Wengyang Town, Yueqing City,
Zhejiang Province