



PVC Insulated Spade Terminals for 12-10AWG

Welcome to JZY to buy PVC Insulated Spade Terminals for 12-10AWG from China. Vinyl-insulated spade terminals for 12-10 AWG , butted seam spade terminals are used to mate, connect, or terminate a single 12-10 AWG wire, while allowing for a connection to a screw or stud type electrical connection. The vinyl material acts as an economic insulation type and the butted seam is the most common type of terminal barrel. Vinyl insulated fork terminals are commonly used in automotive and marine vehicles, but can also be used in various other electrical applications.

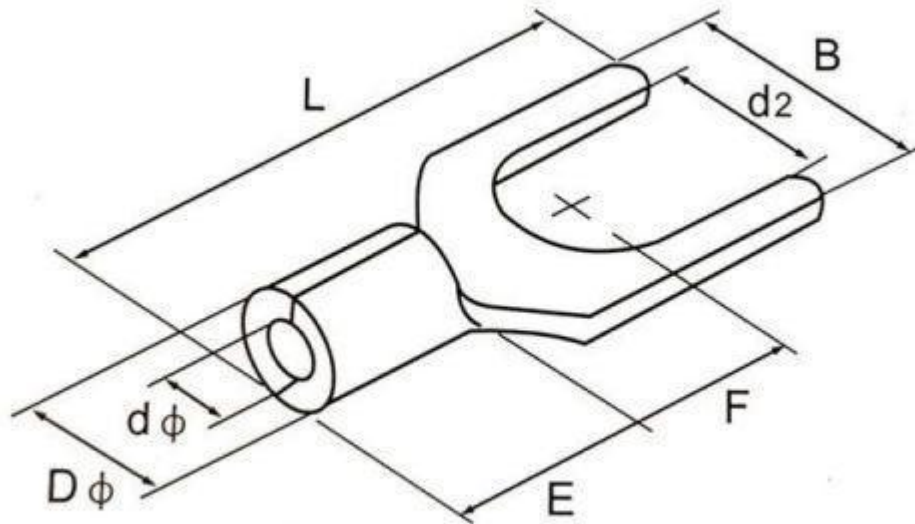
Product Description

As the professional manufacturers, JZY would like to provide you high quality PVC Insulated Spade Terminals for 12-10AWG. Vinyl-insulated spade terminals for 12-10 AWG

- 1) , cable lugs are suitable for the connection of copper conductors (section 4-6mm²) in power cable with electronic equipment
- 2) , Material: They are made of higher 99.99 % pure copper tube , Working temperature -55oC-150oC
- 3) , Surface: Tin-plated
- 4) , Insulated material: PVC, nylon
- 5) , Wire specification/rated: According customer required
- 6) , Attribute: Pre-insulated, blade shape

PVC Insulated Spade Terminals for 12-10AWG Parameter (Specification)





ITEM NO.	THICKNESS	DIMENSIONS(mm)					PCS /PACK	WIRE SPECIFICATION MAX CURRENT
		BOLT OPENING DIAMETER	B	L	DΦ	dΦ		
SNB1.25-3	0.8	3.2	5.7	16	3.4	1.7	1000	0.5~1.5mm ² 22-16 A.W.G
SNB1.25-3.5	0.8	3.7	6.4	16				
SNB1.25-4	0.8	4.3	6.4	16				
SNB1.25-5	0.8	5.3	8.1	16				
SNB1.25-6	0.8	6.5	9.5	16				
SNB2-3	0.8	3.2	5.7	16	4.1	2.3	1000	1.5~2.5mm ² 16-14 A.W.G
SNB2-4S	0.8	4.3	6.4	16				
SNB2-5	0.8	5.3	8.1	16				
SNB2-6	0.8	6.5	8.1	16				
SNB3.5-4	1.0	4.3	8	18.3	5.0	3.0	500	2.5~4mm ²

SNB3.5-5S	1.0	5.3	8	18.3				14-12 A.W.G
SNB3.5-6	1.0	6.5	12	21.5				
SNB5.5-4	1.0	4.3	8.3	19.5	5.6	3.4	500	4~6mm2 12-10 A.W.G
SNB5.5-5	1.0	5.3	9.0	19.5				
SNB5.5-6	1.0	6.5	9.0	19.5				
SNB5.5-8	1.0	8.4	14	24.5				

PVC Insulated Spade Terminals for 12-10AWG Feature And Application

Vinyl-insulated spade terminals for 12-10 AWG, also known as a fork or split ring is a short metal tube with flat fork attached. The tube or barrel end of the crimp is a hollow tube where the stranded wire is inserted and crimped. The contact or connection end is a flat fork with a central hole which connects to a stud or bolt.



