



PVC Insulated Ring Terminals for 16-14AWG Wire

As the professional manufacturers, JZY would like to provide you high quality PVC Insulated Ring Terminals for 16-14AWG Wire. Vinyl-Insulated Ring Terminals for 16-14AWG Wire made from copper with a tin plating. These ring terminals have vinyl or nylon insulation with a flared design for easy wire insertion. The insulation of these crimp ring terminals is colour coded to correspond with the wire size they are used with. All models are highly reliable and excellent quality.

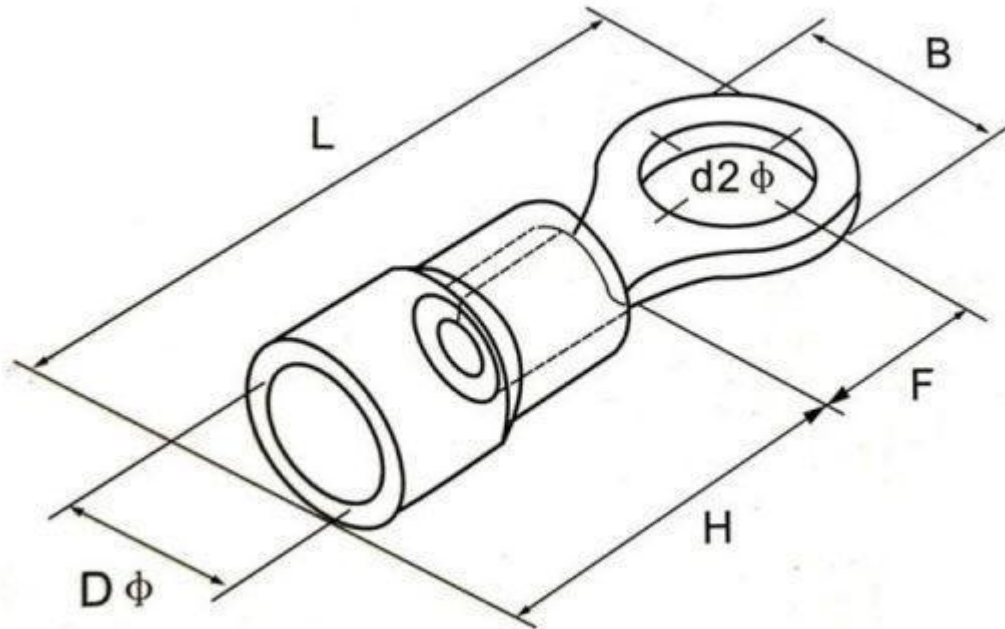
Product Description

High quality PVC Insulated Ring Terminals for 16-14AWG Wire is offered by China manufacturers JZY.

- Copper body material for high conductivity and easy crimping
- Tin plating for resistance to corrosion, added strength and excellent conductivity
- Vinyl insulation for electrical insulation and terminal protection
- Colour coded insulation for easy identification of terminal size
- Expanded insulation entry for easy wire insertion
- Vinyl- Insulated Ring Terminals for 16-14AWG Wire Maximum operating temperature of 75°C

PVC Insulated Ring Terminals for 16-14AWG Wire Parameter (Specification)





ITEM NO.	Thickness	DIMENSIONS(mm)					PCS /PACK	COLOR	WIRE SPECIFICATION MAX CURRENT
		Bolt mouth diameter	B	L	Dφ	H			
RV2-3	0.8	3.2	6.6	17.8	4.9	10	1000	Blue	1.5~2.5mm2 16-14 A.W.G
RV2-3.5	0.8	3.7	6.6	17.8					
RV2-4S	0.8	4.3	6.6	21					
RV2-4L	0.8	4.3	8.5	22.5					
RV2-5	0.8	5.2	8.5	22.5					
RV2-6	0.8	6.3	12	25					
RV2-8	0.8	8.2	12	27.6					
RV2-10	0.8	10.5	13.6	30.2					
RV2-12	0.8	13	19.3	35					

PVC Insulated Ring Terminals for 16-14AWG Wire Feature And Application

These Vinyl- Insulated Ring Terminals for 16-14AWG Wire are used in a wide range of industries for connecting wires to electrical components. Applications include wiring in industrial control systems and industrial machines, automotive applications, communication equipment, power supplies and domestic appliances.

PVC Insulated Ring Terminals for 16-14AWG Wire Details



Deliver,Shipping And Serving

1. Your inquiry will be replied within 24 hours.
2. We offer you professional service in fluent English.
3. Keep the mass production as the sample in high quality
4. Freight forwarder: faster, safer, and convenient.
5. Quality: we have QC on each process,provide high quality products.

Any problem or needed please feel free let us know, we are glad to service for you

We are factory, we can provide competitive price. And all the products will be shipped after quality inspection. Usually we quote within 24 hours after we get your inquiry.

PACKAGING & SHIPPING





WENZHOU JINZHIYUAN ELECTRICAL CO.,LTD.

Welcome to contact us,we will do our best to help you

-  **CHENGHE CHEN**
-  Tel:+86-15088900618
-  E-mail:chenchenghe@jzyterminal.com
-  Web:www.jzyterminal.com

Building F, Yueshang Pioneer Park, Wengyang Town, Yueqing City,
Zhejiang Province